

## Lighting Stand Specifications for the LS7730

### Vertical Shaft Specifications

Top shaft diameter: 38mm  
Middle shaft diameter: 41mm  
Lower shaft diameter: 45mm

### Vertical Shaft Height adjustment

Maximum height : 124"

Upper shaft: 2 preset adjustment holes  
8" on center. 33" Useable shaft length

Middle shaft: 5 preset adjustment holes  
8" on center. 38" Useable shaft length

Lower shaft: 51" fixed height from floor

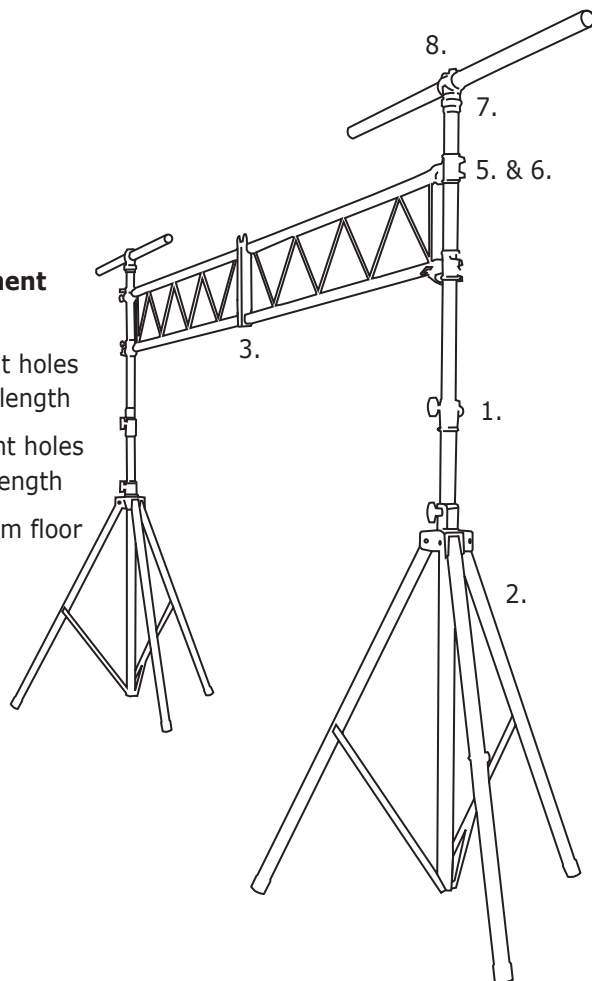
### Truss Specifications

Diameter: 38mm

Each Truss - 60" fixed length  
120" total length.

### Safety factor

Base leg spread is 36" to 48"



## Assembly Instructions for the LS7730

1. Set vertical shafts on the lighting stands to 18" above the upper mid point clutch for your convenience.
2. Set legs to the desired base spread.
3. Assemble the 2 truss ends with the center adapter. Once assembled tighten knobs on center adapter.
4. Place lighting stands approximately 10' apart.
5. Slide the end of the truss into tubing adapters on lighting stand shafts.
6. Once truss is inserted at both ends tighten knobs on adapters.
7. Lower the upper shaft until there is at least 15" distance between the top of the upper shaft and the top of the truss system.
8. Place the 48" top bars on the end of the upper shafts and tighten knobs.
9. Install all par cans on top bars and truss system.
10. Raise stands to desired height and tighten knobs.