

# RP102

## Owner's Manual

### Index

<b>Read This First</b> .....	<b>2</b>
Opening/Closing the Keyboard Cover.....	<b>2</b>
Opening the Keyboard Cover .....	<b>2</b>
Closing the Keyboard Cover .....	<b>2</b>
Basic Operation of the RP102.....	<b>2</b>
Bottom Panel Connections .....	<b>3</b>
<b>Making Settings on the RP102</b> .....	<b>4</b>
Selecting Tones.....	<b>4</b>
Selecting an Internal Song .....	<b>4</b>
Playing/Stopping an Internal Song .....	<b>4</b>
Changing the Volume of the Song .....	<b>4</b>
While the Song Plays, Specifying the Keyboard Sound (SMF Play Mode).....	<b>4</b>
Starting/Stopping the Metronome.....	<b>4</b>
Changing the Metronome Volume.....	<b>4</b>
Changing the Beat.....	<b>4</b>
Changing the Tempo .....	<b>4</b>
Adding Reverberation to the Sound (Ambience).....	<b>4</b>
Adjusting the Brightness of the Sound (Brilliance) .....	<b>4</b>
Dividing the Keyboard in Two (Twin Piano) .....	<b>5</b>
Changing the Keyboard Playing Feel (Key Touch) .....	<b>5</b>
Matching the Pitch with Other Instruments (Master Tuning) .....	<b>5</b>
Transposing the Pitch (Transpose) .....	<b>5</b>
Connecting a page-turning app .....	<b>5</b>
Connecting with Piano Partner 2 .....	<b>5</b>
Making the Power Automatically Turn Off After a Time ...	<b>5</b>
Hearing Sound from the Built-in Speakers and the External Speakers.....	<b>6</b>
Saving the Settings (Memory Backup).....	<b>6</b>
Restoring the Factory Settings (Factory Reset) .....	<b>6</b>
<b>Connect an App on a Mobile Device</b> .....	<b>7</b>
Piano Partner 2 – An App for Enjoying the RP102 Even More	<b>7</b>
Apps to Turn Pages Using the Pedals.....	<b>9</b>
<b>Troubleshooting</b> .....	<b>11</b>
Problems with Bluetooth Functionality.....	<b>12</b>
<b>Internal Song List</b> .....	<b>13</b>
<b>USING THE UNIT SAFELY</b> .....	<b>14</b>
<b>IMPORTANT NOTES</b> .....	<b>16</b>

### Main Specifications

Roland RP102: Digital Piano

<b>Keyboard</b>	88 keys (PHA-4 Standard Keyboard: with Escapement and Ivory Feel)
<b>Sound Generator</b>	Piano Sound: SuperNATURAL Piano Sound
<b>Bluetooth</b>	MIDI, Turning music sheet: Bluetooth Ver 4.0
<b>Power Supply</b>	AC adaptor
<b>Power Consumption</b>	4 W (3–10 W) 4 W: Average power consumption while piano is played with volume at center position 3 W: Power consumption immediately after power-up; nothing being played 10 W: Rated power consumption
<b>Dimensions (including piano stand)</b>	With Music Rest: 1,379 (W) x 413 (D) x 977 (H) mm 54-5/16 (W) x 16-5/16 (D) x 38-1/2 (H) inches Without Music Rest: 1,379 (W) x 423 (D) x 817 (H) mm 54-5/16 (W) x 16-11/16 (D) x 32-3/16 (H) inches
<b>Weight (including piano stand)</b>	37.8 kg 83 lbs 6 oz * Actual weight can vary slightly from that indicated due to the fact that wooden parts are involved.
<b>Accessories</b>	Owner's manual, Leaflet "Stand Assembly," AC Adaptor, Power Cord (for AC Adaptor), Music rest
<b>Option (sold separately)</b>	Headphones

\* This document explains the specifications of the product at the time that the document was issued. For the latest information, refer to the Roland website.

### Provision of Bluetooth functionality

Please be aware that depending on the country in which you purchased the unit, Bluetooth functionality might not be included.

If Bluetooth functionality is included

The Bluetooth logo appears when you turn on the power.



Before using this unit, carefully read "USING THE UNIT SAFELY" (p. 14) and "IMPORTANT NOTES" (p. 16). After reading, keep the document(s) where it will be available for immediate reference.

# Read This First

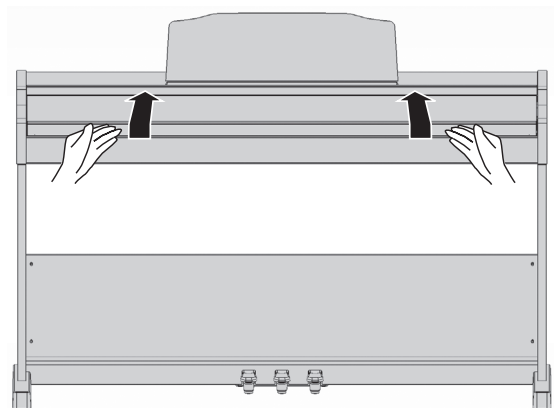
## Opening/Closing the Keyboard Cover

You must use both hands to open or close the keyboard cover.

\* When opening or closing the keyboard cover, please be careful not to get your fingers pinched between the movable part and the panel. In places where small children are present, make sure that an adult provides supervision and guidance.

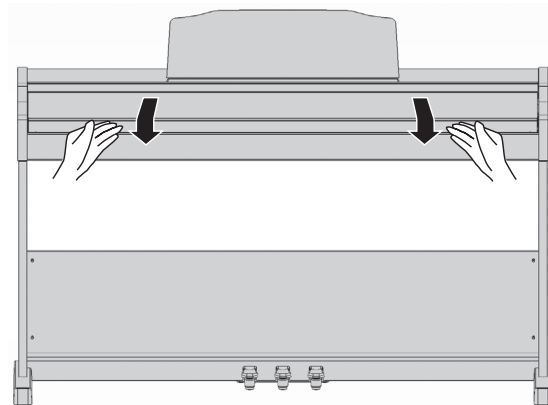
### Opening the Keyboard Cover

Use both hands to lift the edge of the lid, and push it away from yourself.



### Closing the Keyboard Cover

Grasp and gently lower the edge of the lid with both hands.



\* If you have any objects (papers, metal objects, etc.) placed on top of the keyboard cover, do not open the cover. Otherwise, such objects may slip inside the instrument, and then become irrecoverable.

## Basic Operation of the RP102

### Turning the Power On/Off

Press the [⏻] (power) button to turn on the power.  
If you hold down the [⏻] (power) button for one second or longer, the power turns off.

### Adjusting the Volume

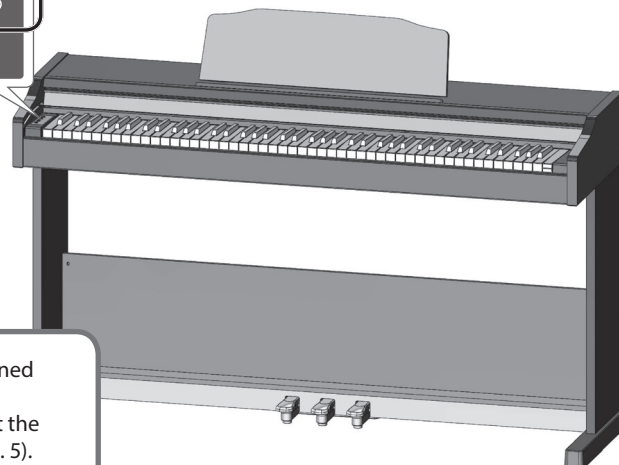
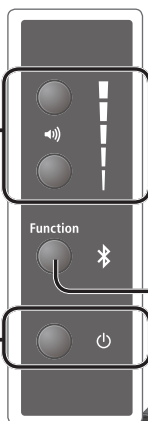
Use the two volume buttons to adjust the volume.  
Volume (up) button: Increases the volume.  
Volume (down) button: Decreases the volume.  
You can adjust the speaker volume when using the built-in speakers, or the headphones volume when headphones are connected.

\* The number of indicators lit at the right of the volume buttons changes according to the volume. If all indicators are lit, the volume is at its maximum. If all indicators are unlit, there will be no sound.

### Changing the Settings

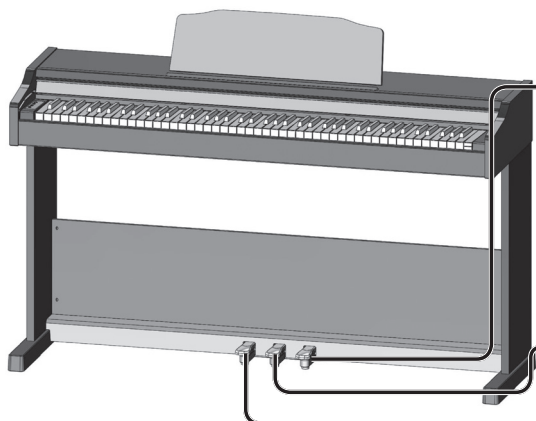
By holding down the [Function] button and pressing a key, you can select sounds or adjust the sensitivity of the keyboard.

➔ "Making Settings on the RP102" (p. 4)



The power to this unit will be turned off automatically after a predetermined amount of time has passed since it was last used for playing music, or its buttons or controls were operated (Auto Off function). If you do not want the power to be turned off automatically, disengage the Auto Off function (p. 5).

- Any settings that you are in the process of editing will be lost when the power is turned off. If you have any settings that you want to keep, you should save them beforehand.
- To restore power, turn the power on again.



### Using the Pedals to Modify the Sound

#### Damper pedal

Use this pedal to sustain the sound. While this pedal is held down, notes will be sustained for an extended time even if you release your fingers from the keyboard. By pressing the pedal to different depths, you can adjust the length of sustain (short, long). On an acoustic piano, holding down the damper pedal will cause the strings for notes other than the ones you actually play to vibrate in sympathy with what you've played, producing a rich resonance. This unit simulates this sympathetic vibration (damper resonance).

#### Sostenuto pedal

This pedal sustains only the notes of the keys that were already pressed when you pressed the pedal.

#### Soft pedal

This pedal is used to make the sound softer. Playing with the soft pedal depressed produces a sound that is not as strong as when otherwise played with the equivalent strength. This is the same function as the left pedal of an acoustic piano.

\* When operating the pedal, please be careful not to get your fingers pinched between the movable part and the panel. In places where small children are present, make sure that an adult provides supervision and guidance.

## Bottom Panel Connections

\* To prevent malfunction and equipment failure, always turn down the volume, and turn off all the units before making any connections.

### PHONES Jacks

Since this unit has two headphones jacks, two people can also use headphones simultaneously. And you can connect the external amplified speakers (p. 6)



Stereo-mini plug

Stereo phone plug

### Pedal Connector

Connect the pedal cord of the dedicated stand here. For details, refer to the leaflet "Stand Assembly."

### DC In Jack

Connect the included AC adaptor here. For details, refer to the leaflet "Stand Assembly."



Place the AC adaptor so the side with the indicator faces upwards and the side with textual information faces downwards. The indicator will light when you plug the AC adaptor into an AC outlet.

### USB Memory for Update Port

This connector will be used if there are future additions or expansions to the RP102's functionality.

- \* Never insert or remove the USB flash drive while this unit is turned on. Doing so may corrupt the unit's data or the data on the USB flash drive.
- \* Use a commercially available USB flash drive or a USB flash drive sold by Roland. However, we cannot guarantee that all commercially available USB flash drives will work with this unit.

### USB Computer Port

If you have a DAW program on your computer, or if you have SMF data, you can use a commercially available USB cable to connect the RP102's USB Computer port to the USB port of your computer and do the following.

(DAW: music production software (sold separately), SMF: song files)

- SMF data played back on your DAW can be sounded by the RP102.
- MIDI data can be transferred between the RP102 and your DAW, letting you produce and edit music in a variety of ways.



English

日本語

Deutsch

Français

Italiano

Español

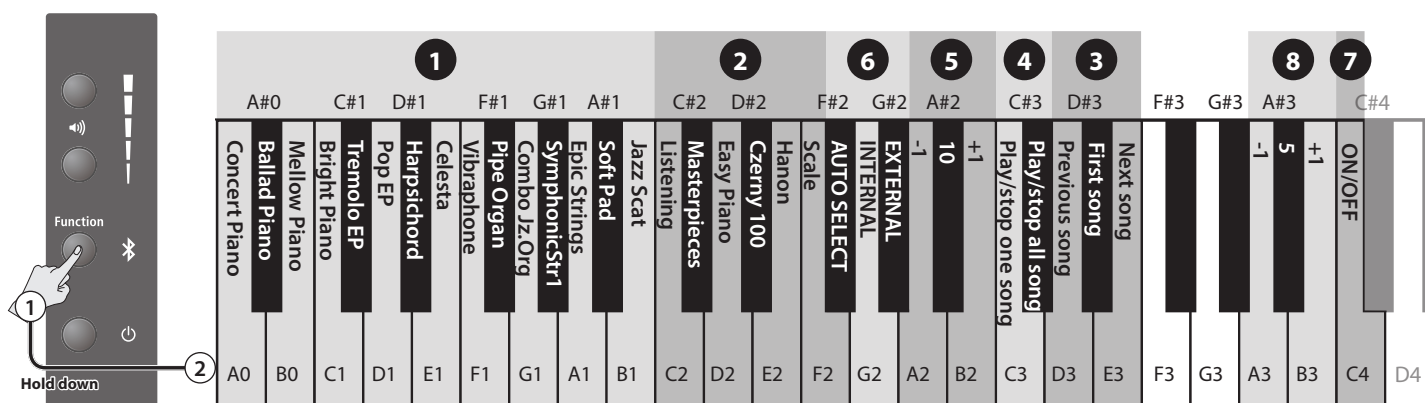
Português

Nederlands

# Making Settings on the RP102

You can control a variety of functions by holding down the [Function] button and pressing a key.

Selecting Tones	1	Press one key to play one sound at a time. Press two keys simultaneously to play two sounds as a layer. This feature is called "Dual Play."						
Selecting an Internal Song	2	Selects a category.						
	3	Selects a song. ➔ "Internal Song List" (p. 13)						
Playing/Stopping an Internal Song	4	Play all songs in the selected category, or play just one song. Press the same key again to stop playback.						
Changing the Volume of the Song	5	0–10 (default: 10)						
While the Song Plays, Specifying the Keyboard Sound (SMF Play Mode)	6	Normally you'll use "AUTO SELECT."						
		<table border="1"> <thead> <tr> <th>Setting</th> <th>Explanation</th> </tr> </thead> <tbody> <tr> <td>AUTO SELECT (default)</td> <td>Automatically switches the SMF Play Mode to either "INTERNAL" or "EXTERNAL" depending on the song that is being played.</td> </tr> <tr> <td>INTERNAL</td> <td>The sound of the song that's playing and the sound on which you're performing will be the same. If you switch sounds on the RP102, the sound of the song also changes. This setting is recommended when you're playing the internal songs. A damper resonance (*) effect is applied to the piano sound of the song.</td> </tr> <tr> <td>EXTERNAL</td> <td>The sound of the song that's playing can be specified independently of the sound that you're playing on the keyboard. Even if you switch sounds on the RP102, the sound of the song won't change. This setting is recommended when you're playing a song file from a USB-connected computer. The damper resonance (*) effect is not applied to the piano sound of the song.</td> </tr> </tbody> </table>	Setting	Explanation	AUTO SELECT (default)	Automatically switches the SMF Play Mode to either "INTERNAL" or "EXTERNAL" depending on the song that is being played.	INTERNAL	The sound of the song that's playing and the sound on which you're performing will be the same. If you switch sounds on the RP102, the sound of the song also changes. This setting is recommended when you're playing the internal songs. A damper resonance (*) effect is applied to the piano sound of the song.
Setting	Explanation							
AUTO SELECT (default)	Automatically switches the SMF Play Mode to either "INTERNAL" or "EXTERNAL" depending on the song that is being played.							
INTERNAL	The sound of the song that's playing and the sound on which you're performing will be the same. If you switch sounds on the RP102, the sound of the song also changes. This setting is recommended when you're playing the internal songs. A damper resonance (*) effect is applied to the piano sound of the song.							
EXTERNAL	The sound of the song that's playing can be specified independently of the sound that you're playing on the keyboard. Even if you switch sounds on the RP102, the sound of the song won't change. This setting is recommended when you're playing a song file from a USB-connected computer. The damper resonance (*) effect is not applied to the piano sound of the song.							
Starting/Stopping the Metronome	7	The metronome turns on (starts) or off (stops) each time you press this key.						
Changing the Metronome Volume	8	Off, 1–10 (default:5)						
Changing the Beat	9	0/4 (*), 2/2, 3/2, 2/4, 3/4, 4/4, 5/4, 6/4, 7/4, 3/8, 6/8, 8/8, 9/8, 12/8 (default: 4/4) * When the metronome is sounded, all beats are heard with the same sound.						
Changing the Tempo	10	10–500 (default: Song Tempo)						
Adding Reverberation to the Sound (Ambience)	11	The reverberation that is characteristic of a performance in a concert hall can be added to the sound. 0–10 (default: 2)						
Adjusting the Brightness of the Sound (Brilliance)	12	You can adjust the brightness of the sound when you play the keyboard or when you play back a song. -10–10 (default: 0)						





## Hearing Sound from the Built-in Speakers and the External Speakers

With the factory settings, the built-in speakers do not produce sound if the external amplified speakers are connected to the PHONES jack. However, you can change this setting so that sound is output from the built-in speakers even if the external speakers are connected to the PHONES jack.

\* When you change the setting, the character from the external speakers will change.

1. While holding down the volume (up) and volume (down) buttons, press the [Function] button.
2. Press the [Function] button to change the setting.

When the external speaker are connected to the PHONES jack	Volume indicators
Sound is output only from the external speakers	<p>Blinking Lit</p>
Sound is output from both the external speakers and the built-in speakers	<p>Unlit Blinking</p>

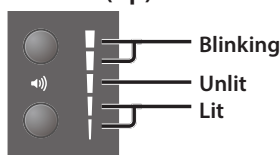
3. To complete the operation, press the volume (up) button or volume (down) button.

## Saving the Settings (Memory Backup)

When this unit's power is turned off, it will return to its default settings. However, if desired, you can save the following settings so that they will be remembered even after the power is off. This is called the "Memory Backup" function.

Settings saved by Memory Backup	Page
Ambience	p. 4
Brilliance	p. 4
Key Touch	p. 5
Metronome (Volume)	p. 4
Master Tuning	p. 5
SMF Play Mode	p. 4
Hearing sound from the built-in speakers and the external speakers	p. 6

1. Hold down the [Function] button and press the volume (up) button.



2. To save the setting, press the volume (up) button.

To cancel, press the volume (down) button or the [Function] button.

## Restoring the Factory Settings (Factory Reset)

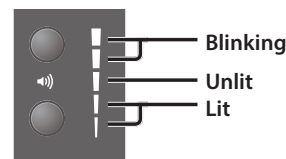
The settings you've changed in the function mode can be restored to their factory-set condition.

### NOTE

When you execute a factory reset, all settings will be initialized.

1. While holding down the volume (up) button and the [Function] button, turn on the power and continue holding the volume (up) button and [Function] button.

When the volume indicators appear as follows, release the buttons.



2. To execute the factory reset, press the volume (up) button.

To cancel, press the volume (down) button or the [Function] button.

Factory reset currently executing	<p>Blinking</p>
Completed	<p>Blinking</p>

\* Never turn off the power while factory reset is being executed.

3. Turn the power off, then on again.

### Settings that are saved automatically

On the unit, the following settings are saved automatically.

Setting	Page
Built-in speakers volume	p. 2
Headphones volume	p. 2
All settings for the Bluetooth function	p. 5
Auto off	p. 5

## Connect an App on a Mobile Device

If you install an app on your smartphone, tablet, or other mobile device, and connect it via **Bluetooth**, you can use the app to view the status of the RP102 on the large screen of your mobile device, and use the app to operate the RP102.

Here, we explain initial settings that let you use the Piano Partner 2 app to enjoy your RP102 even further, and that let you use the pedals of the RP102 to control a page-turning app.

As an example, we'll explain the settings when using an iPad.

If you're using an Android device, refer to the owner's manual of your unit for details on how to make settings for its Bluetooth functionality.

## Piano Partner 2 – An App for Enjoying the RP102 Even More

You can connect your iPad or other tablet to the RP102 to enjoy your piano even more.

\* Piano Partner 2 is an app made by Roland that supports iOS and Android.

It can display musical scores of the RP102's internal songs, and lets you enjoyably boost your musical abilities through ear-training games. Since it can take advantage of your tablet's large screen, it's easy to operate.

For details, refer to the following URL.

### Piano Partner 2

<http://roland.cm/pianopartner2>



### Quick Start Video

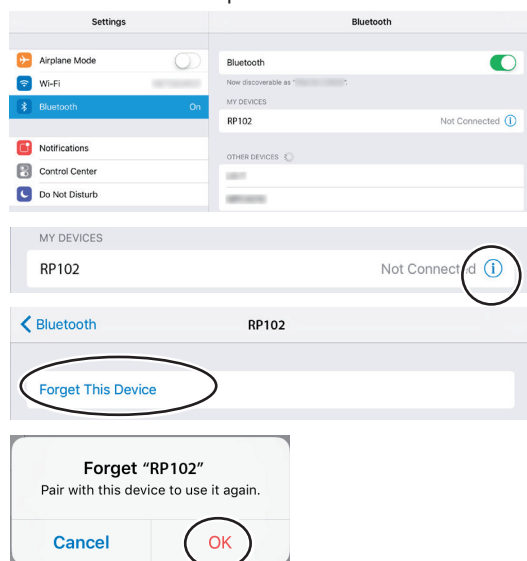
<http://roland.cm/rp102>



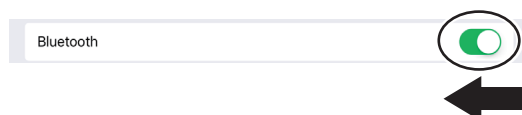
## Making initial settings

1. If the RP102 has already been paired in the Bluetooth settings of your mobile device, start by clearing the pairing.

If the RP102's device name is not shown, it has not been paired. Proceed to the next step.



2. Turn off the Bluetooth function of your mobile device.

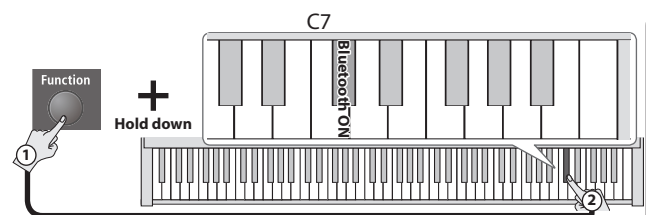


3. Place the mobile device in which you've installed Piano Partner 2 near the RP102.

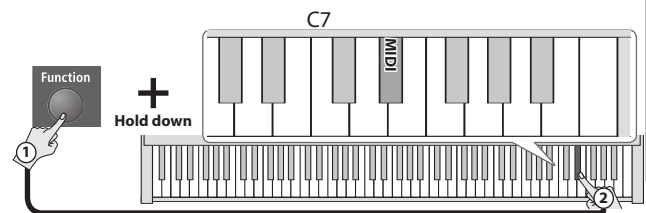
### MEMO

If you have more than one unit of this model, power-on only the unit that you want to pair (power-off the other units).

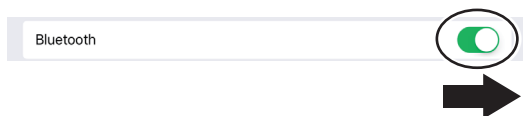
4. Power-on the RP102 and turn on its Bluetooth function.



5. Set the RP102's Page Turn/MIDI function to "MIDI."



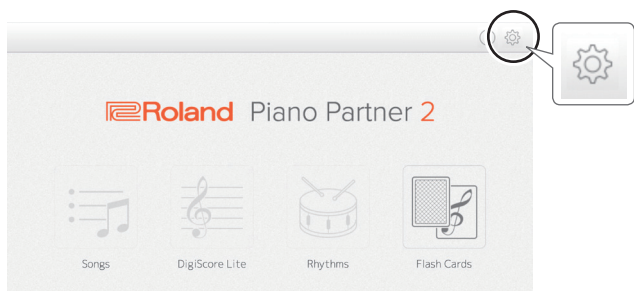
**6. Turn on the Bluetooth function of your mobile device.**



**7. Start the Piano Partner 2 app that you installed on your mobile device.**

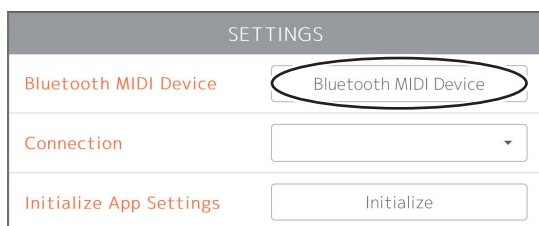
\* The first time that you start Piano Partner 2, make sure that your mobile device is able to connect to the internet. If it can't connect to the internet, these settings can't be completed.

**8. Tap the gear icon in the upper right of the screen.**

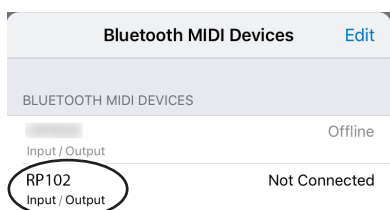


The "SETTINGS" screen opens.

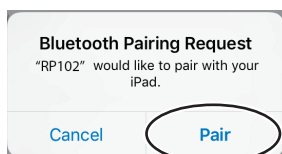
**9. Tap the box "Bluetooth MIDI Device."**



**10. When "RP102" appears, tap it.**



If "Bluetooth Pairing Request" appears, tap "Pair."



When pairing is successful, the RP102's internal song data and other data is downloaded via the internet to your mobile device.

\* If your mobile device can't connect to the internet, this cannot be completed.

When the screen indicates "Connected," the settings are complete.



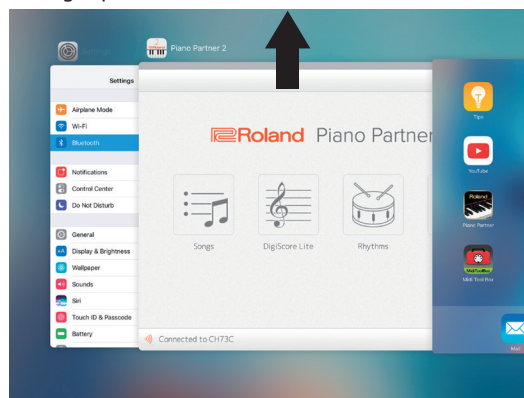
**11. Tap outside the "Bluetooth MIDI Devices" screen to close it, and tap outside the "SETTINGS" screen to close it.**

Connecting the mobile device after completing the initial settings

**1. Perform steps 7-11 of "Making initial settings" (p. 7).**

**If you can't connect to Piano Partner 2**

In some cases, you can make the connection by closing Piano Partner 2 and then performing steps 1-11 of "Making initial settings" (p. 7)



Even if you press the home button or the back button, the app closes without exiting, and continues in a standby state. Double-click the home button, and swipe Piano Partner 2 to the top.

**Available on the Web**

Apps made by Roland that can be used with the RP102 are introduced at the following URL.

[http://roland.cm/rp102\\_app](http://roland.cm/rp102_app)

We've also posted video manuals of various products on YouTube.

Roland Support Channel:

<https://www.youtube.com/c/RolandSupportChannel/>



## Apps to Turn Pages Using the Pedals

When you're practicing, you typically use your hand to turn the pages of the musical score while you play the keyboard.

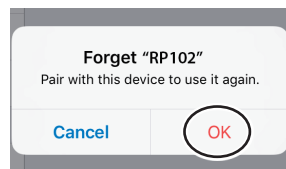
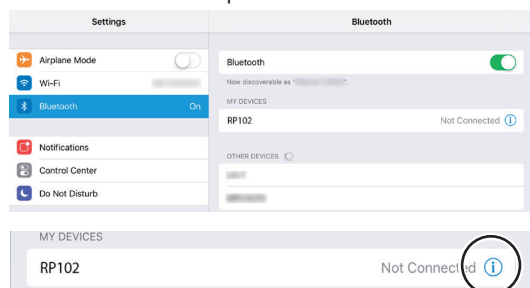
If a music score app such as piaScore is installed on your iPad or other tablet connected to the RP102, you can use the pedals of the RP102 to turn pages of the musical score without using your hands.

\* piaScore is a music score viewing app for iOS made by Plussadd, Inc.

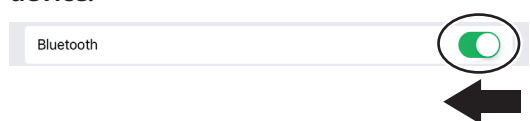
### Making initial settings

#### 1. If the RP102 has already been paired in the Bluetooth settings of your mobile device, start by clearing the pairing.

If the RP102's device name is not shown, it has not been paired. Proceed to the next step.



#### 2. Turn off the Bluetooth function of your mobile device.

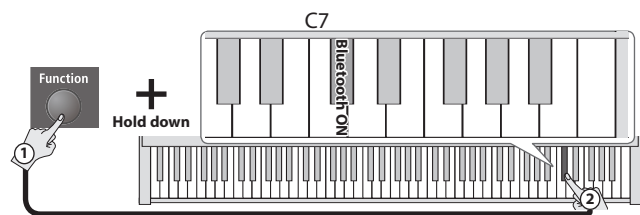


#### 3. Place your mobile device with a music score viewing app installed near the RP102.

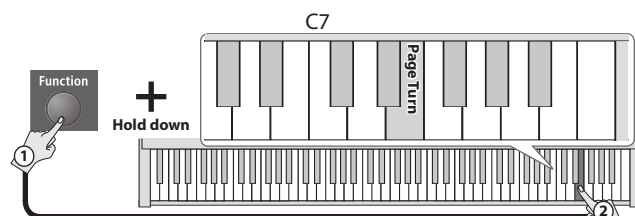
##### MEMO

If you have more than one unit of this model, power-on only the unit that you want to pair (power-off the other units).

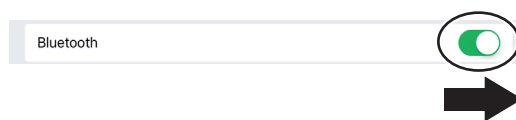
#### 4. Power-on the RP102 and turn on its Bluetooth function.



#### 5. Set the RP102's Page Turn/MIDI function to "Page Turn."

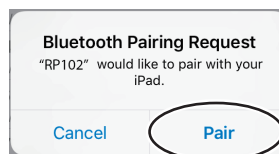


#### 6. Turn on the Bluetooth function of your mobile device.



#### 7. In the display of your mobile device, tap "RP102."

If "Bluetooth Pairing Request" appears, tap "Pair."



If the mobile device's screen asks you to enter a "Pass Key," enter "0000" (four zeros).

When pairing is successful, the "RP102" is added to the "MY DEVICES" list of your mobile device.

### Connecting the mobile device after completing the initial settings

#### 1. Start the music score viewing app that's installed on your mobile device, and load a music score.

### Turning pages

Press the sostenuto pedal (center pedal) to turn to the next page; press the soft pedal (left pedal) to turn to the previous page.

#### If the keyboard is no longer shown on the mobile device

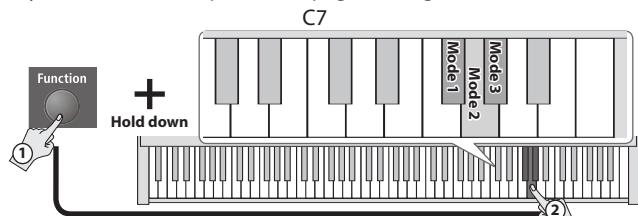
In some cases, depending on the mobile device app that you're using, the keyboard might stop being displayed (i.e., the keyboard might become unavailable).

If you want the mobile device's keyboard to be shown while you're using the page turning function, hold down this unit's [Function] button and press the volume (down) button.

To hide the mobile device's keyboard, once again hold down the [Function] button and press the volume (down) button.

## Changing the Operating Keys of the Page Turning Function

The key operations for turning pages will differ depending on the music score display app that you're using. You can choose which keys of this unit will operate the page turning function.



Key	Setting	Explanation
F#7	Mode 1 Cursor Up/Down	The [▲] [▼] keys of the keyboard are used by the page turning app.
G7	Mode 2 Page Up/Page Down	The [Page Up] [Page Down] keys of the keyboard are used by the page turning app.
G#7	Mode 3 Cursor Left/Right	The [◀] [▶] keys of the keyboard are used by the page turning app.

# Troubleshooting

Problem	Items to check	Action	Page
Even though you're using headphones to mute the sound, the keystrokes make a clattering sound when you play the keyboard	The keyboard of this piano is designed to simulate the mechanism of an acoustic piano. Even on an acoustic piano, the keystrokes produce sound when you play the keyboard. This is not a malfunction.		-
Power turns off on its own	Could the auto-off setting be something other than "OFF"?	If you don't need the power to turn off automatically, turn the Auto Off setting "OFF."	p. 5
Power does not turn on	Is the AC adaptor connected correctly?		-
Pedal does not work, or is "stuck"	Is the pedal connected correctly?		-
	Could you have disconnected or connected the pedal cord while the power was on?	Power-off the unit before you connect or disconnect the pedal cord.	-
	Could Twin Piano be set to "PAIR" or "INDIVIDUAL"? If Twin Piano is set to "PAIR" or "INDIVIDUAL," the right pedal works only for the right-hand side of the keyboard, and the left pedal works only for the left-hand side of the keyboard.		p. 5
"Buzz" is heard from external devices	Are the external devices connected to more than one AC power outlet?	If you connect external devices, be sure to connect them to the same AC outlet.	-
No sound	Are your amp, speakers, headphones, etc., connected correctly?		p. 3
	Is the volume turned down?		p. 2
	Could headphones or an adaptor plug be inserted in the PHONES jacks?		p. 6
	Sound is not output if you've made settings so that sound is not output from the internal speakers.		
Sound is output even though headphones are connected to the PHONES jack	Could you have made settings so that sound is output from the internal speakers?		p. 6
No sound when you play back a song	Could the song volume be set to "0"?		p. 4
<b>Notes don't sound right</b>			
Pitch of the keyboard or song is incorrect	Could you have made Transpose settings?		p. 5
	Is the Master Tune setting appropriate?		p. 5
Notes are interrupted	Could you be holding down the damper pedal and sounding a large number of notes? Could you be using Dual Play or playing along with a song?		-
Sounds are heard twice (doubled) when the keyboard is played	Is the unit in Dual Play?	Hold down the [Function] button and press the A0 key to disable Dual Play.	p. 4
	Could the unit be connected to an external sequencer?	If you don't want the other sound module to produce sound, turn your DAW's soft thru function "off."	-
When using Dual Play, the character of the sound is different	The character of the sound might differ depending on the combination of sounds.		-
Reverberation remains even if you defeat the Ambience effect	Even if the Ambience effect is off, the acoustic piano's own resonance remains.		p. 4
The sound of the higher notes suddenly changes from a certain key	This simulates the characteristics of an acoustic piano, and is not a malfunction. The sound will change where there is a change in the number of strings per key or a transition from wound strings to unwound strings.		-
High-pitched ringing is heard	If you don't hear it through headphones: It may be that the unit has malfunctioned. Please contact your dealer or a Roland customer service center. If you also hear it through headphones: To decrease the metallic ringing, adjust the "Ambience" settings.		p. 4
Low notes sound wrong, or are buzzy	Could the volume be set to maximum?	Lower the volume.	p. 2
	If you also hear it through headphones: It may be that the unit has malfunctioned. Please contact your dealer or a Roland customer service center.		
	If you don't hear it through headphones: Objects near the unit are resonating because of the high volume of sound coming from the speakers. You can take the following measures to minimize resonances. • Locate the speakers 10–15 cm (4–6 inch) away from walls or other surfaces. • Keep the volume down. • Move away from the objects that are resonating.		-
The selected sound changes when you play back a song	Could the SMF Play Mode be set to "INTERNAL"?	Set the SMF Play Mode to "EXTERNAL."	p. 4

English

日本語

Deutsch

Français

Italiano

Español

Português

Nederlands

Problem	Items to check	Action	Page
<b>Song does not play correctly</b>			
Song volume is too low	Could the song volume be set too low?		p. 4

## Problems with Bluetooth Functionality

Problem	Items to check/Action	Page
This unit does not appear in the Bluetooth device list of your mobile device	Could the Bluetooth function be turned "Off"?	p. 7 p. 9
	If the Bluetooth function is "On" and the RP102's Bluetooth Turn/MIDI function is "Page Turn" or "Page Turn&MIDI"	A device named "RP102" appears.
	If the Bluetooth function is "On" and the RP102's Bluetooth Turn/MIDI function is set to "MIDI" or "Page Turn&MIDI"	You can check this from a setting inside your app such as Piano Partner 2.
The Bluetooth indicator is not lit even though you made the initial settings for page-turning (p. 9)	In some cases, the connection with the mobile device might become unavailable when you switch the Bluetooth Turn/MIDI function.	
	If this unit is visible as a device in the mobile device's Bluetooth settings	After unpairing the "RP102" that is registered on the mobile device, turn the mobile device's Bluetooth function off and then on again, and reconnect it.
	If this unit is not visible as a device	Turn the mobile device's Bluetooth function off and on again, and then reestablish the connection.
The Bluetooth indicator is not lit even though you made the initial settings for using the MIDI function (p. 7)	In some cases, the connection with the mobile device might become unavailable when you switch the Bluetooth Turn/MIDI function.	
	After unpairing the "RP102" that is registered on the mobile device, turn the mobile device's Bluetooth function off and then on again, and reconnect it.	
Can't connect via MIDI	You must make the connection not from the mobile device's Bluetooth setting but from the setting within Piano Partner 2 or other app that you're using.	
Can't connect a paired mobile device	If the connection breaks immediately after it is established, or when you switch the page turning function and MIDI data transmit/receive function, turning the Bluetooth device's Bluetooth switch off and then on again may allow connection to occur.	
Keyboard no longer appears (becomes unavailable) on the mobile device	<p>When using the page turning function, the keyboard might not be shown (might be unavailable) depending on the mobile device that you're using.</p> <p>If you want the mobile device's keyboard to be shown while you're using the page turning function, hold down this unit's [Function] button and press the volume (down) button.</p> <p>To hide the mobile device's keyboard, hold down the [Function] button and press the volume (down) button.</p>	

# Internal Song List

## Category: Listening

Song Title	Composer
Valse, op.34-1	Fryderyk Franciszek Chopin
Polonaise op.53	Fryderyk Franciszek Chopin
Nocturne No.20	Fryderyk Franciszek Chopin
Die Forelle	Franz Peter Schubert, Arranged by Franz Liszt
Reflets dans l'Eau	Claude Achille Debussy
La Fille aux Cheveux de Lin	Claude Achille Debussy
La Campanella	Franz Liszt
Scherzo No.2	Fryderyk Franciszek Chopin
Étude, op.10-12	Fryderyk Franciszek Chopin

## Category: Masterpieces

Song Title	Composer
Danse des Mirlitons	Peter Ilyich Tchaikovsky
Salut d'amour	Edward Elgar
Menuett G Dur BWV Anh.114	Johann Sebastian Bach
Präludium C Dur BWV846	Johann Sebastian Bach
The Harmonious Blacksmith	Georg Friedrich Händel
Le Coucou	Louis Claude Daquin
Türkischer Marsch	Wolfgang Amadeus Mozart
Sonate Nr.16 C Dur	Wolfgang Amadeus Mozart
Türkischer Marsch	Ludwig van Beethoven
Für Elise	Ludwig van Beethoven
Moments Musicaux op.94-3	Franz Peter Schubert
Gavotte	François Joseph Gossec
Sonatine op.36-1	Muzio Clementi
Sonatine op.20-1	Friedrich Kuhlau
Jägerlied	Felix Mendelssohn
Frühlingslied	Felix Mendelssohn
Auf Flügeln des Gesanges	Felix Mendelssohn
Nocturne, op.9-2	Fryderyk Franciszek Chopin
Étude, op.10-3	Fryderyk Franciszek Chopin
Prélude, op.28-15	Fryderyk Franciszek Chopin
Valse, op.64-1	Fryderyk Franciszek Chopin
Valse, op.64-2	Fryderyk Franciszek Chopin
Fantaisie-Improptu	Fryderyk Franciszek Chopin
Radetzky Marsch	Johann Baptist Strauss
Träumerei	Robert Alexander Schumann
Fröhlicher Landmann	Robert Alexander Schumann
La prière d'une Vierge	Tekla Badarzewska
Dolly's Dreaming Awakening	Theodor Oesten
Brautchor	Wilhelm Richard Wagner
Liebesträume Nr.3	Franz Liszt
Blumenlied	Gustav Lange
Course en Troïka	Peter Ilyich Tchaikovsky
Ungarische Tänze Nr.5	Johannes Brahms
An der schönen, blauen Donau	Johann Strauss, Sohn
Humoreske	Antonín Dvořák
Clair de Lune	Claude Achille Debussy
1ère Arabesque	Claude Achille Debussy
Golliwog's Cakewalk	Claude Achille Debussy
Je te veux	Erik Satie
1ère Gymnopédie	Erik Satie

## Category: Easy Piano

Song Title	Composer
Twinkle Twinkle Little Star	French Folk Song
Mary Had a Little Lamb	Traditional
Bear Song	American Folk Song
Ich Bin Ein Musikante	German Folk Song
Grand Father's Clock	Henry Work
Maple Leaf Rag	Scott Joplin
Le Quattro Stagioni "La Primavera"	Antonio Vivaldi
Marche Militaire Nr.1	Franz Peter Schubert

## Category: Czerny 100

Song Title	Composer
Czerny 100- 1 - 100	Carl Czerny

## Category: Hanon

Song Title	Composer
Hanon 1 - 20	Charles-Louis Hanon

## Category: Scale

Major Scales,  
Minor Scales (Harmonic, Melodic)

- \* All rights reserved. Unauthorized use of this material for purposes other than private, personal enjoyment is a violation of applicable laws.
- \* The performance data for the tone demos and the internal songs is not transmitted from the USB Computer port or via Bluetooth (MIDI).
- \* If the SMF Play Mode **6** (p. 4) is set to "INTERNAL," there will be some parts whose volume does not change when you adjust the Song Volume **5** (p. 4) value. If the SMF Play Mode **6** is set to "EXTERNAL," the volume of all parts will change.
- \* Songs in the Listening category are piano solo songs. They have no accompaniment.
- \* For the musical scores of the Scale category, refer to "Scales" in the appendix.

English

日本語

Deutsch

Français

Italiano

Español

Português

Nederlands

# USING THE UNIT SAFELY

## INSTRUCTIONS FOR THE PREVENTION OF FIRE, ELECTRIC SHOCK, OR INJURY TO PERSONS

### About ⚠ WARNING and ⚠ CAUTION Notices

<b>⚠ WARNING</b>	Used for instructions intended to alert the user to the risk of death or severe injury should the unit be used improperly.
<b>⚠ CAUTION</b>	Used for instructions intended to alert the user to the risk of injury or material damage should the unit be used improperly. * Material damage refers to damage or other adverse effects caused with respect to the home and all its furnishings, as well to domestic animals or pets.

### About the Symbols

	The ⚠ symbol alerts the user to important instructions or warnings. The specific meaning of the symbol is determined by the design contained within the triangle. In the case of the symbol at left, it is used for general cautions, warnings, or alerts to danger.
	The ⓧ symbol alerts the user to items that must never be carried out (are forbidden). The specific thing that must not be done is indicated by the design contained within the circle. In the case of the symbol at left, it means that the unit must never be disassembled.
	The Ⓞ symbol alerts the user to things that must be carried out. The specific thing that must be done is indicated by the design contained within the circle. In the case of the symbol at left, it means that the power-cord plug must be unplugged from the outlet.

## ALWAYS OBSERVE THE FOLLOWING

### WARNING

#### To completely turn off power to the unit, pull out the plug from the outlet

Even with the power switch turned off, this unit is not completely separated from its main source of power. When the power needs to be completely turned off, turn off the power switch on the unit, then pull out the plug from the outlet. For this reason, the outlet into which you choose to connect the power cord's plug should be one that is within easy reach and readily accessible.



#### Concerning the Auto Off function

The power to this unit will be turned off automatically after a predetermined amount of time has passed since it was last used for playing music, or its buttons or controls were operated (Auto Off function). If you do not want the power to be turned off automatically, disengage the Auto Off function (p. 5).



#### Do not disassemble or modify by yourself

Do not carry out anything unless you are instructed to do so in the owner's manual. Otherwise, you risk causing malfunction.



#### Do not repair or replace parts by yourself

Refer all servicing to your retailer, the nearest Roland Service Center, or an authorized Roland distributor, as listed on the "Information."



### WARNING

#### Do not use or store in the following types of locations

- Subject to temperature extremes (e.g., direct sunlight in an enclosed vehicle, near a heating duct, on top of heat-generating equipment); or are
- Damp (e.g., baths, washrooms, on wet floors); or are
- Exposed to steam or smoke; or are
- Subject to salt exposure; or are
- Exposed to rain; or are
- Dusty or sandy; or are
- Subject to high levels of vibration and shakiness; or are
- Placed in a poorly ventilated location.

#### Do not place in an unstable location

Otherwise, you risk injury as the result of the unit toppling over or dropping down.



#### Use only the supplied AC adaptor and the correct voltage

Be sure to use only the AC adaptor supplied with the unit. Also, make sure the line voltage at the installation matches the input voltage specified on the AC adaptor's body. Other AC adaptors may use a different polarity, or be designed for a different voltage, so their use could result in damage, malfunction, or electric shock.



#### Use only the supplied power cord

Use only the attached power cord. Also, the supplied power cord must not be used with any other device.



#### Do not bend the power cord or place heavy objects on it

Otherwise, fire or electric shock may result.



### WARNING

#### Avoid extended use at high volume

Use of the unit at high volume for extended periods of time may cause hearing loss. If you ever experience any hearing loss or ringing in the ears, you should immediately stop using the unit and consult a specialized physician.



#### Do not allow foreign objects or liquids to enter unit; never place containers with liquid on unit

Do not place containers containing liquid (e.g., flower vases) on this product. Never allow foreign objects (e.g., flammable objects, coins, wires) or liquids (e.g., water or juice) to enter this product. Doing so may cause short circuits, faulty operation, or other malfunctions.



#### Turn off the unit if an abnormality or malfunction occurs

Immediately turn the unit off, remove the AC adaptor from the outlet, and request servicing by your retailer, the nearest Roland Service Center, or an authorized Roland distributor, as listed on the "Information" when:



- The AC adaptor or the power cord has been damaged; or
- If smoke or unusual odor occurs; or
- Objects have fallen into, or liquid has been spilled onto the unit; or
- The unit has been exposed to rain (or otherwise has become wet); or
- The unit does not appear to operate normally or exhibits a marked change in performance.

#### Be cautious to protect children from injury

Always make sure that an adult is on hand to provide supervision and guidance when using the unit in places where children are present, or when a child will be using the unit.



**! WARNING**

**Do not drop or subject to strong impact**

Otherwise, you risk causing damage or malfunction.



**Do not share an outlet with an unreasonable number of other devices**

Otherwise, you risk overheating or fire.



**Do not use overseas**

Before using the unit in overseas, consult with your retailer, the nearest Roland Service Center, or an authorized Roland distributor, as listed on the "Information."



**! CAUTION**

**When disconnecting the power cord, grasp it by the plug**

To prevent conductor damage, always grasp the power cord by its plug when disconnecting it.



**Periodically clean the power plug**

An accumulation of dust or foreign objects between the power plug and the power outlet can lead to fire or electric shock.



At regular intervals, be sure to pull out the power plug, and using a dry cloth, wipe away any dust or foreign objects that may have accumulated.

**Disconnect the power plug whenever the unit will not be used for an extended period of time**

Fire may result in the unlikely event that a breakdown occurs.



**Route all power cords and cables in such a way as to prevent them from getting entangled**

Injury could result if someone were to trip on a cable and cause the unit to fall or topple.



**Avoid climbing on top of the unit, or placing heavy objects on it**

Otherwise, you risk injury as the result of the unit toppling over or dropping down.



**Never connect/disconnect a power plug if your hands are wet**

Otherwise, you could receive an electric shock.



**Cautions when moving this unit**

If you need to move the instrument, take note of the precautions listed below. At least two persons are required to safely lift and move the unit. It should be handled carefully, all the while keeping it level. Make sure to have a firm grip, to protect yourself from injury and the instrument from damage.



- Check to make sure the screws securing the unit to the stand have not become loose. Fasten them again securely whenever you notice any loosening.
- Disconnect the power cord.
- Disconnect all cords coming from external devices.
- Close the lid.
- Remove the music stand.

**Before cleaning the unit, disconnect the power plug from the outlet**

If the power plug is not removed from the outlet, you risk receiving an electric shock.



**! CAUTION**

**Whenever there is a threat of lightning, disconnect the power plug from the outlet**

If the power plug is not removed from the outlet, you risk causing malfunction or receiving an electric shock.



**Take care so as not to get fingers pinched**

When handling the following moving parts, take care so as not to get fingers, toes, etc., pinched. Whenever a child uses the unit, an adult should be on hand to provide supervision and guidance.



- Keyboard cover (p. 2)
- Pedals (p. 3)

**Keep small items out of the reach of children**

To prevent accidental ingestion of the parts listed below, always keep them out of the reach of small children.



- Included Parts
- Screws

English

日本語

Deutsch

Français

Italiano

Español

Português

Nederlands

# IMPORTANT NOTES

## Power Supply

- Do not connect this unit to same electrical outlet that is being used by an electrical appliance that is controlled by an inverter or a motor (such as a refrigerator, washing machine, microwave oven, or air conditioner). Depending on the way in which the electrical appliance is used, power supply noise may cause this unit to malfunction or may produce audible noise. If it is not practical to use a separate electrical outlet, connect a power supply noise filter between this unit and the electrical outlet.
- The AC adaptor will begin to generate heat after long hours of consecutive use. This is normal, and is not a cause for concern.

## Placement

- Using the unit near power amplifiers (or other equipment containing large power transformers) may induce hum. To alleviate the problem, change the orientation of this unit; or move it farther away from the source of interference.
- This unit may interfere with radio and television reception. Do not use this unit in the vicinity of such receivers.
- Noise may be produced if wireless communications devices, such as cell phones, are operated in the vicinity of this unit. Such noise could occur when receiving or initiating a call, or while conversing. Should you experience such problems, you should relocate such wireless devices so they are at a greater distance from this unit, or switch them off.
- When moved from one location to another where the temperature and/or humidity is very different, water droplets (condensation) may form inside the unit. Damage or malfunction may result if you attempt to use the unit in this condition. Therefore, before using the unit, you must allow it to stand for several hours, until the condensation has completely evaporated.
- Do not allow objects to remain on top of the keyboard. This can be the cause of malfunction, such as keys ceasing to produce sound.
- Do not place containers or anything else containing liquid on top of this unit. Also, whenever any liquid has been spilled on the surface of this unit, be sure to promptly wipe it away using a soft, dry cloth.

## Maintenance

- Never use benzine, thinners, alcohol or solvents of any kind, to avoid the possibility of discoloration and/or deformation.

## Care of the Keyboard

- Do not write on the keyboard with any pen or other implement, and do not stamp or place any marking on the instrument. Ink will seep into the surface lines and become unremovable.
- Do not affix stickers on the keyboard. You may be unable to remove stickers that use strong adhesives, and the adhesive may cause discoloration.
- To remove stubborn dirt, use a commercially available keyboard cleaner that does not contain abrasives. Start by wiping lightly. If the dirt does not come off, wipe using gradually increasing amounts of pressure while taking care not to scratch the keys.

## Additional Precautions

- Any data stored within the unit can be lost as the result of equipment failure, incorrect operation, etc.
- Roland assumes no liability concerning the restoration of any stored content that has been lost.
- Use a reasonable amount of care when using the unit's buttons, sliders, or other controls; and when using its jacks and connectors. Rough handling can lead to malfunctions.
- When disconnecting all cables, grasp the connector itself—never pull on the cable. This way you will avoid causing shorts, or damage to the cable's internal elements.
- To avoid disturbing others nearby, try to keep the unit's volume at reasonable levels.
- The sound of keys being struck and vibrations produced by playing an instrument can be transmitted through a floor or wall to an unexpected extent. Please take care not to cause annoyance to others nearby.
- Do not apply undue force to the music stand while it is in use.

## Using External Memories

- Please observe the following precautions when handling external memory devices. Also, make sure to carefully observe all the precautions that were supplied with the external memory device.
  - Do not remove the device while reading/writing is in progress.
  - To prevent damage from static electricity, discharge all static electricity from your person before handling the device.

## Caution Regarding Radio Frequency Emissions

- The following actions may subject you to penalty of law.
  - Disassembling or modifying this device.
  - Removing the certification label affixed to the back of this device.

## Intellectual Property Right

- It is forbidden by law to make an audio recording, video recording, copy or revision of a third party's copyrighted work (musical work, video work, broadcast, live performance, or other work), whether in whole or in part, and distribute, sell, lease, perform or broadcast it without the permission of the copyright owner.
- Do not use this product for purposes that could infringe on a copyright held by a third party. We assume no responsibility whatsoever with regard to any infringements of third-party copyrights arising through your use of this product.
- The copyright of content in this product (the sound waveform data, style data, accompaniment patterns, phrase data, audio loops and image data) is reserved by Roland Corporation.
- Purchasers of this product are permitted to utilize said content (except song data such as Demo Songs) for the creating, performing, recording and distributing original musical works.
- Purchasers of this product are NOT permitted to extract said content in original or modified form, for the purpose of distributing recorded medium of said content or making them available on a computer network.
- This product contains eParts integrated software platform of eSOL Co.,Ltd. eParts is a trademark of eSOL Co., Ltd. in Japan.
- The **Bluetooth**® word mark and logos are registered trademarks owned by Bluetooth SIG, Inc. and any use of such marks by Roland is under license.
- This Product uses the Source Code of µT-Kernel under T-License 2.0 granted by the T-Engine Forum ([www.tron.org](http://www.tron.org)).
- This product is using the Jansson (<http://www.digip.org/jansson/>) source code. Copyright © 2009-2014 Petri Lehtinen <[petri@digip.org](mailto:petri@digip.org)> Released under the MIT license <http://opensource.org/licenses/mit-license.php>
- Roland, SuperNATURAL are either registered trademarks or trademarks of Roland Corporation in the United States and/or other countries.
- Company names and product names appearing in this document are registered trademarks or trademarks of their respective owners.



# Scales / スケール楽譜集

These are musical scores for the scale songs that are built into this unit.

Use them for practicing scales.

## How to practice effectively

♪ Listen to a song in the key that you want to practice, and learn it by ear.

➔ Selecting a Song/Playing Back: Owner's Manual p. 4

♪ Start by practicing one hand at a time with a slow tempo.

Watch the score and learn the correct fingering.

➔ Change the tempo: Owner's Manual p.4

♪ When you're able to play without mistakes, increase the tempo.

Make an effort to play smoothly and consistently.

Listen carefully to the accompaniment, and keep the rhythm steady while you play.

本機に内蔵されている、スケール・カテゴリーの曲に対応した楽譜集です。

スケールの練習にご活用ください。

## 効果的な練習のしかた

♪ 練習する調の曲を聴いて耳で覚えましょう。

➔ 曲を選ぶ/再生する: 取扱説明書 P.4

♪ はじめは、テンポを遅くして片手ずつ練習します。楽譜を見ながら正しい指使いを覚えましょう。

➔ テンポを変える: 取扱説明書 P.4

♪ 間違えずに弾けるようになったら、テンポを早くしていきます。

なめらかに粒を揃えて弾くことを意識しましょう。

伴奏をよく聴いて、テンポを一定に保ちながら弾きましょう。

# Major Scales (メジャー・スケール)

C major (ハ長調、C-Dur)

1 2 3 1 2 3 4 1 3 1 5 1 3 1 3 1 4 1 3

5 4 3 2 1 3 2 1 4 1 3 1 3 1 4 1 3 1

G major (ト長調、G-Dur)

1 2 3 1 2 3 4 1 3 1 5 1 3 1 3 1 4 1 3

5 4 3 2 1 3 2 1 4 1 3 1 3 1 4 1 3 1

D major (ニ長調、D-Dur)

1 2 3 1 2 3 4 1 3 1 5 1 3 1 3 1 4 1 3

5 4 3 2 1 3 2 1 4 1 3 1 3 1 4 1 3 1

A major (イ長調、A-Dur)

1 2 3 1 2 3 4 1 3 1 5 1 3 1 3 1 4 1 3

5 4 3 2 1 3 2 1 4 1 3 1 3 1 4 1 3 1

E major (ホ長調、E-Dur)

1 2 3 1 2 3 4 1 3 1 5 1 3 1 3 1 4 1 3

5 4 3 2 1 3 2 1 4 1 3 1 3 1 4 1 3 1

B major (ロ長調、H-Dur)

1 2 3 1 2 3 4 1 3 1 5 1 3 1 3 1 4 1 3

4 3 2 1 4 3 2 1 3 1 4 1 3 1 4 1 3 1

# Major Scales (メジャー・スケール)

F major (ヘ長調、F-Dur)

B<sup>b</sup> major (変口長調、B-Dur)

E<sup>b</sup> major (変ホ長調、Es-Dur)

A<sup>b</sup> major (変イ長調、As-Dur)

D<sup>b</sup> major (変ニ長調、Des-Dur)

G<sup>b</sup> major (変ト長調、Ges-Dur)

## Minor Scales (マイナー・スケール)

A minor (イ短調、a-Moll) : Harmonic minor scale (和声的短音階)

Musical notation for the A minor Harmonic minor scale in 4/4 time. The right hand (treble clef) plays the scale ascending and descending with fingering: 1 2 3 1, 2 3 4 1, 3 1, 5, 1 3, 1 4, 1 3. The left hand (bass clef) plays the scale ascending and descending with fingering: 5 4 3 2, 1 3 2 1, 4 1, 3 1, 3 1, 4 1 3, 1.

A minor (イ短調、a-Moll) : Melodic minor scale (旋律的短音階)

Musical notation for the A minor Melodic minor scale in 4/4 time. The right hand (treble clef) plays the scale ascending and descending with fingering: 1 2 3 1, 2 3 4 1, 3 1, 5, 1 3, 1 4, 1 3. The left hand (bass clef) plays the scale ascending and descending with fingering: 5 4 3 2, 1 3 2 1, 4 1, 3 1, 3 1, 4 1 3, 1.

E minor (ホ短調、e-Moll) : Harmonic minor scale (和声的短音階)

Musical notation for the E minor Harmonic minor scale in 4/4 time. The right hand (treble clef) plays the scale ascending and descending with fingering: 1 2 3 1, 2 3 4 1, 3 1, 5, 1 3, 1 4, 1 3. The left hand (bass clef) plays the scale ascending and descending with fingering: 5 4 3 2, 1 3 2 1, 4 1, 3 1, 3 1, 4 1 3, 1.

E minor (ホ短調、e-Moll) : Melodic minor scale (旋律的短音階)

Musical notation for the E minor Melodic minor scale in 4/4 time. The right hand (treble clef) plays the scale ascending and descending with fingering: 1 2 3 1, 2 3 4 1, 3 1, 5, 1 3, 1 4, 1 3. The left hand (bass clef) plays the scale ascending and descending with fingering: 5 4 3 2, 1 3 2 1, 4 1, 3 1, 3 1, 4 1 3, 1.

B minor (口短調、h-Moll) : Harmonic minor scale (和声的短音階)

Musical notation for the B minor Harmonic minor scale in 4/4 time. The right hand (treble clef) plays the scale ascending and descending with fingering: 1 2 3 1, 2 3 4 1, 3 1, 5, 1 3, 1 4, 1 3. The left hand (bass clef) plays the scale ascending and descending with fingering: 4 3 2 1, 4 3 2 1, 3 1 4, 1 4 1, 3 1, 4 1, 3 1, 4 1.

B minor (口短調、h-Moll) : Melodic minor scale (旋律的短音階)

Musical notation for the B minor Melodic minor scale in 4/4 time. The right hand (treble clef) plays the scale ascending and descending with fingering: 1 2 3 1, 2 3 4 1, 3 1, 5, 1 3, 1 4, 1 3. The left hand (bass clef) plays the scale ascending and descending with fingering: 4 3 2 1, 4 3 2 1, 3 1 4, 1 4 1, 3 1, 4 1, 3 1, 4 1.

## Minor Scales (マイナー・スケール)

F# minor (嬰へ短調、fis-Moll) : Harmonic minor scale (和声的短音階)

Musical notation for F# minor Harmonic minor scale. The score is in 4/4 time and F# major key signature. The right hand (treble clef) plays the ascending scale with fingering 2 3 1 2, 3 1 2 3, 4 1 3, 1 3, 1 3, 1 4, 1 3, 1 3. The left hand (bass clef) plays the descending scale with fingering 4 3 2 1, 3 2 1 4, 1 3, 1 2 1, 3 1, 4 1, 3 1, 3 1. The piece ends with a double bar line and a repeat sign.

F# minor (嬰へ短調、fis-Moll) : Melodic minor scale (旋律的短音階)

Musical notation for F# minor Melodic minor scale. The score is in 4/4 time and F# major key signature. The right hand (treble clef) plays the ascending scale with fingering 2 3 1 2, 3 4 1 2, 3 1, 4 1 3 2, 1 3 1, 4 1 3 1 3. The left hand (bass clef) plays the descending scale with fingering 4 3 2 1, 3 2 1 4, 1 3, 1 2 1, 3 1, 4 1, 3 1, 3 1. The piece ends with a double bar line and a repeat sign.

C# minor (嬰ハ短調、cis-Moll) : Harmonic minor scale (和声的短音階)

Musical notation for C# minor Harmonic minor scale. The score is in 4/4 time and C# major key signature. The right hand (treble clef) plays the ascending scale with fingering 2 3 1 2, 3 1 2 3, 4 1 3, 1 3, 1 3, 1 4, 1 3, 1 3. The left hand (bass clef) plays the descending scale with fingering 3 2 1 4, 3 2 1 3, 1 4, 1 2 1, 4 1, 3 1, 4 1, 4 1. The piece ends with a double bar line and a repeat sign.

C# minor (嬰ハ短調、cis-Moll) : Melodic minor scale (旋律的短音階)

Musical notation for C# minor Melodic minor scale. The score is in 4/4 time and C# major key signature. The right hand (treble clef) plays the ascending scale with fingering 2 3 1 2, 3 4 1 2, 3 1, 4 1 3 2, 1 3 1, 4 1 3 1 3. The left hand (bass clef) plays the descending scale with fingering 3 2 1 4, 3 2 1 3, 1 4, 1 2 1, 4 1, 3 1, 4 1, 4 1. The piece ends with a double bar line and a repeat sign.

G# minor (嬰ト短調、gis-Moll) : Harmonic minor scale (和声的短音階)

Musical notation for G# minor Harmonic minor scale. The score is in 4/4 time and G# major key signature. The right hand (treble clef) plays the ascending scale with fingering 2 3 1 2, 3 1 2 3, 4 1 3, 1 3, 1 3, 1 4, 1 3, 1 3. The left hand (bass clef) plays the descending scale with fingering 3 2 1 4, 3 2 1 3, 1 4, 1 2 1, 4 1, 3 1, 4 1, 4 1. The piece ends with a double bar line and a repeat sign.

G# minor (嬰ト短調、gis-Moll) : Melodic minor scale (旋律的短音階)

Musical notation for G# minor Melodic minor scale. The score is in 4/4 time and G# major key signature. The right hand (treble clef) plays the ascending scale with fingering 2 3 1 2, 3 1 2 3, 4 1 3, 1 3, 1 3, 1 4, 1 3, 1 3. The left hand (bass clef) plays the descending scale with fingering 3 2 1 4, 3 2 1 3, 1 4, 1 2 3, 1 3 1, 4 1, 3 1, 3 1. The piece ends with a double bar line and a repeat sign.

## Minor Scales (マイナー・スケール)

D minor (ニ短調、d-Moll) : Harmonic minor scale (和声的短音階)

Musical score for D minor Harmonic minor scale. The score is in 4/4 time and consists of two staves. The right hand (treble clef) plays the scale: D4, E4, F4, G4, A4, B4, C#5, B4, A4, G4, F4, E4, D4. The left hand (bass clef) plays the scale: D3, C3, B2, A2, G2, F2, E2, D2, C2, B1, A1, G1, F1, E1, D1. Fingerings are indicated by numbers 1-5 above or below notes. The piece concludes with a whole note D4 in the right hand and a whole note D1 in the left hand.

D minor (ニ短調、d-Moll) : Melodic minor scale (旋律的短音階)

Musical score for D minor Melodic minor scale. The score is in 4/4 time and consists of two staves. The right hand (treble clef) plays the scale: D4, E4, F4, G4, A4, B4, C#5, B4, A4, G4, F4, E4, D4. The left hand (bass clef) plays the scale: D3, C3, B2, A2, G2, F2, E2, D2, C2, B1, A1, G1, F1, E1, D1. Fingerings are indicated by numbers 1-5 above or below notes. The piece concludes with a whole note D4 in the right hand and a whole note D1 in the left hand.

G minor (ト短調、g-Moll) : Harmonic minor scale (和声的短音階)

Musical score for G minor Harmonic minor scale. The score is in 4/4 time and consists of two staves. The right hand (treble clef) plays the scale: G3, A3, B3, C4, D4, E4, F#4, E4, D4, C4, B3, A3, G3. The left hand (bass clef) plays the scale: G2, F2, E2, D2, C2, B1, A1, G1, F1, E1, D1, C1, B0, A0, G0. Fingerings are indicated by numbers 1-5 above or below notes. The piece concludes with a whole note G3 in the right hand and a whole note G0 in the left hand.

G minor (ト短調、g-Moll) : Melodic minor scale (旋律的短音階)

Musical score for G minor Melodic minor scale. The score is in 4/4 time and consists of two staves. The right hand (treble clef) plays the scale: G3, A3, B3, C4, D4, E4, F#4, G4, F#4, E4, D4, C4, B3, A3, G3. The left hand (bass clef) plays the scale: G2, F2, E2, D2, C2, B1, A1, G1, F1, E1, D1, C1, B0, A0, G0. Fingerings are indicated by numbers 1-5 above or below notes. The piece concludes with a whole note G3 in the right hand and a whole note G0 in the left hand.

C minor (ハ短調、c-Moll) : Harmonic minor scale (和声的短音階)

Musical score for C minor Harmonic minor scale. The score is in 4/4 time and consists of two staves. The right hand (treble clef) plays the scale: C4, D4, E4, F4, G4, A4, Bb4, A4, G4, F4, E4, D4, C4. The left hand (bass clef) plays the scale: C3, B2, A2, G2, F2, E2, D2, C2, B1, A1, G1, F1, E1, D1, C1. Fingerings are indicated by numbers 1-5 above or below notes. The piece concludes with a whole note C4 in the right hand and a whole note C1 in the left hand.

C minor (ハ短調、c-Moll) : Melodic minor scale (旋律的短音階)

Musical score for C minor Melodic minor scale. The score is in 4/4 time and consists of two staves. The right hand (treble clef) plays the scale: C4, D4, E4, F4, G4, A4, Bb4, C5, Bb4, A4, G4, F4, E4, D4, C4. The left hand (bass clef) plays the scale: C3, B2, A2, G2, F2, E2, D2, C2, B1, A1, G1, F1, E1, D1, C1. Fingerings are indicated by numbers 1-5 above or below notes. The piece concludes with a whole note C4 in the right hand and a whole note C1 in the left hand.

# Minor Scales (マイナー・スケール)

F minor (ヘ短調、f-Moll) : Harmonic minor scale (和声的短音階)

F minor (ヘ短調、f-Moll) : Melodic minor scale (旋律的短音階)

B<sup>b</sup> minor (変口短調、b-Moll) : Harmonic minor scale (和声的短音階)

B<sup>b</sup> minor (変口短調、b-Moll) : Melodic minor scale (旋律的短音階)

E<sup>b</sup> minor (変ホ短調、es-Moll) : Harmonic minor scale (和声的短音階)

E<sup>b</sup> minor (変ホ短調、es-Moll) : Melodic minor scale (旋律的短音階)

For the U.K.

**IMPORTANT:** THE WIRES IN THIS MAINS LEAD ARE COLOURED IN ACCORDANCE WITH THE FOLLOWING CODE.

BLUE: NEUTRAL  
BROWN: LIVE

As the colours of the wires in the mains lead of this apparatus may not correspond with the coloured markings identifying the terminals in your plug, proceed as follows:

The wire which is coloured BLUE must be connected to the terminal which is marked with the letter N or coloured BLACK.  
The wire which is coloured BROWN must be connected to the terminal which is marked with the letter L or coloured RED.  
Under no circumstances must either of the above wires be connected to the earth terminal of a three pin plug.

For the USA

## DECLARATION OF CONFORMITY Compliance Information Statement

Model Name : RP102  
Type of Equipment : Digital Piano  
Responsible Party : Roland Corporation U.S.  
Address : 5100 S. Eastern Avenue Los Angeles, CA 90040-2938  
Telephone : (323) 890-3700

For the USA

## FEDERAL COMMUNICATIONS COMMISSION RADIO FREQUENCY INTERFERENCE STATEMENT

This equipment has been tested and found to comply with the limits for a Class B digital device, pursuant to Part 15 of the FCC Rules. These limits are designed to provide reasonable protection against harmful interference in a residential installation. This equipment generates, uses, and can radiate radio frequency energy and, if not installed and used in accordance with the instructions, may cause harmful interference to radio communications. However, there is no guarantee that interference will not occur in a particular installation. If this equipment does cause harmful interference to radio or television reception, which can be determined by turning the equipment off and on, the user is encouraged to try to correct the interference by one or more of the following measures:

- Reorient or relocate the receiving antenna.
- Increase the separation between the equipment and receiver.
- Connect the equipment into an outlet on a circuit different from that to which the receiver is connected.
- Consult the dealer or an experienced radio/TV technician for help.

This device complies with Part 15 of the FCC Rules. Operation is subject to the following two conditions:

- (1) this device may not cause harmful interference, and
- (2) this device must accept any interference received, including interference that may cause undesired operation.

This equipment requires shielded interface cables in order to meet FCC class B limit.

Any unauthorized changes or modifications not expressly approved by the party responsible for compliance could void the user's authority to operate the equipment.

For Canada

CAN ICES-3 (B)/NMB-3 (B)

For Korea

## 사용자 안내문

기종별	사용자 안내문
B 급 기기 (가정용 방송통신기자재)	이 기기는 가정용(B 급) 전자파적합기기로서 주로 가정에서 사용하는 것을 목적으로 하며, 모든 지역에서 사용할 수 있습니다.

For C.A. US (Proposition 65)

## WARNING

This product contains chemicals known to cause cancer, birth defects and other reproductive harm, including lead.





**For EU Countries**

- UK** This symbol indicates that in EU countries, this product must be collected separately from household waste, as defined in each region. Products bearing this symbol must not be discarded together with household waste.
- DE** Dieses Symbol bedeutet, dass dieses Produkt in EU-Ländern getrennt vom Hausmüll gesammelt werden muss gemäß den regionalen Bestimmungen. Mit diesem Symbol gekennzeichnete Produkte dürfen nicht zusammen mit dem Hausmüll entsorgt werden.
- FR** Ce symbole indique que dans les pays de l'Union européenne, ce produit doit être collecté séparément des ordures ménagères selon les directives en vigueur dans chacun de ces pays. Les produits portant ce symbole ne doivent pas être mis au rebut avec les ordures ménagères.
- IT** Questo simbolo indica che nei paesi della Comunità europea questo prodotto deve essere smaltito separatamente dai normali rifiuti domestici, secondo la legislazione in vigore in ciascun paese. I prodotti che riportano questo simbolo non devono essere smaltiti insieme ai rifiuti domestici. Ai sensi dell'art. 13 del D.Lgs. 25 luglio 2005 n. 151.
- ES** Este símbolo indica que en los países de la Unión Europea este producto debe recogerse aparte de los residuos domésticos, tal como esté regulado en cada zona. Los productos con este símbolo no se deben depositar con los residuos domésticos.
- PT** Este símbolo indica que nos países da UE, a recolha deste produto deverá ser feita separadamente do lixo doméstico, de acordo com os regulamentos de cada região. Os produtos que apresentem este símbolo não deverão ser eliminados juntamente com o lixo doméstico.
- NL** Dit symbool geeft aan dat in landen van de EU dit product gescheiden van huishoudelijk afval moet worden aangeboden, zoals bepaald per gemeente of regio. Producten die van dit symbool zijn voorzien, mogen niet samen met huishoudelijk afval worden verwijderd.
- DK** Dette symbol angiver, at i EU-lande skal dette produkt opsamles adskilt fra husholdningsaffald, som defineret i hver enkelt region. Produkter med dette symbol må ikke smides ud sammen med husholdningsaffald.
- NO** Dette symbolet indikerer at produktet må behandles som spesialavfall i EU-land, iht. til retningslinjer for den enkelte regionen, og ikke kastes sammen med vanlig husholdningsavfall. Produkter som er merket med dette symbolet, må ikke kastes sammen med vanlig husholdningsavfall.

- SE** Symbolen anger att i EU-länder måste den här produkten kasseras separat från hushållsavfall, i enlighet med varje regions bestämmelser. Produkter med den här symbolen får inte kasseras tillsammans med hushållsavfall.
- FI** Tämä merkintä ilmaisee, että tuote on EU-maissa kerättävä erillään kotitalousjätteistä kunkin alueen voimassa olevissa määräysten mukaisesti. Tällä merkinnällä varustettuja tuotteita ei saa hävittää kotitalousjätteiden mukana.
- HU** Ez a szimbólum azt jelenti, hogy az Európai Unióban ezt a terméket a háztartási hulladéktól elkülönítve, az adott régióban érvényes szabályozás szerint kell gyűjteni. Az ezzel a szimbóllal ellátott termékeket nem szabad a háztartási hulladék közé dobni.
- PL** Symbol oznacza, że zgodnie z regulacjami w odpowiednim regionie, w krajach UE produktu nie należy wyrzucać z odpadami domowymi. Produktów opatrzonych tym symbolem nie można utylizować razem z odpadami domowymi.
- CZ** Tento symbol udává, že v zemích EU musí být tento výrobek sbírán odděleně od domácího odpadu, jak je určeno pro každý region. Výrobky nesoucí tento symbol se nesmí vyhazovat spolu s domácím odpadem.
- SK** Tento symbol vyjadruje, že v krajinách EÚ sa musí zber tohto produktu vykonávať oddelene od domového odpadu, podľa nariadení platných v konkrétnej krajine. Produkty s týmto symbolom sa nesmú vyhazovať spolu s domovým odpadom.
- EE** See sümbol näitab, et EL-i maades tuleb see toode olemprügist eraldi koguda, nii nagu on igas piirkonnas määratletud. Selle sümboliga märgitud tooteid ei tohi ära visata koos olmeprügiga.
- LT** Šis simbolis rodo, kad ES šalyse šis produktas turi būti surenkamas atskirai nuo buitinių atliekų, kaip nustatyta kiekviename regione. Šiuo simboliu paženklinėti produktai neturi būti išmetami kartu su buitiniems atliekomis.
- LV** Šis simbols norāda, ka ES valstīs šo produktu jāievāc atsevišķi no mājsaimniecības atkritumiem, kā noteikts katrā reģionā. Produktus ar šo simbolu nedrīkst izmest kopā ar mājsaimniecības atkritumiem.
- SI** Ta simbol označuje, da je treba proizvod v državah EU zbirati ločeno od gospodinjiskih odpadkov, tako kot je določeno v vsaki regiji. Proizvoda s tem znakom ni dovoljeno odlagati skupaj z gospodinjiskimi odpadki.
- GR** Το σύμβολο αυτό υποδηλώνει ότι στις χώρες της Ε.Ε. το συγκεκριμένο προϊόν πρέπει να συλλέγεται χωριστά από τα υπόλοιπα οικιακά απορρίμματα, σύμφωνα με όσα προβλέπονται σε κάθε περιοχή. Τα προϊόντα που φέρουν το συγκεκριμένο σύμβολο δεν πρέπει να απορρίπτονται μαζί με τα οικιακά απορρίμματα.

**For the USA**

This transmitter must not be co-located or operated in conjunction with any other antenna or transmitter.

(FCC Part15 Subpart C §15.247, 15.253, 15.255)

This equipment complies with FCC radiation exposure limits set forth for an uncontrolled environment and meets the FCC radio frequency (RF) Exposure Guidelines. This equipment has very low levels of RF energy that it deemed to comply without maximum permissive exposure evaluation (MPE).

(FCC Part15 Subpart C §15.247, 15.253, 15.255)

**For Canada**

This device complies with Industry Canada licence-exempt RSS standard(s). Operation is subject to the following two conditions: (1) this device may not cause interference, and (2) this device must accept any interference, including interference that may cause undesired operation of the device.

Le présent appareil est conforme aux CNR d'Industrie Canada applicables aux appareils radio exempts de licence. L'exploitation est autorisée aux deux conditions suivantes : (1) l'appareil ne doit pas produire de brouillage, et (2) l'utilisateur de l'appareil doit accepter tout brouillage radioélectrique subi, même si le brouillage est susceptible d'en compromettre le fonctionnement.

(RSS-Gen §7.1.3)

This equipment complies with IC radiation exposure limits set forth for an uncontrolled environment and meets RSS-102 of the IC radio frequency (RF) Exposure rules. This equipment has very low levels of RF energy that it deemed to comply without maximum permissive exposure evaluation (MPE).

Cet équipement est conforme aux limites d'exposition aux rayonnements énoncées pour un environnement non contrôlé et respecte les règles d'exposition aux fréquences radioélectriques (RF) CNR-102 de l'IC. Cet équipement émet une énergie RF très faible qui est considérée conforme sans évaluation de l'exposition maximale autorisée.

(RSS-102 §2.6)

### European Community Declaration of Conformity

<b>English</b>	Hereby, Roland Corporation declares that the radio equipment type Bluetooth is in compliance with Directive 2014/53/EU. The full text of the EU declaration of conformity is available at the following internet address.
<b>Bulgarian</b>	С настоящото Roland Corporation декларира, че този тип радиосъоръжение Bluetooth е в съответствие с Директива 2014/53/ЕС. Цялостният текст на ЕС декларацията за съответствие може да се намери на следния интернет адрес.
<b>Czech</b>	Tímto Roland Corporation prohlašuje, že typ rádiového zařízení Bluetooth je v souladu se směrnicí 2014/53/EU. Úplně znění EU prohlášení o shodě je k dispozici na této internetové adrese.
<b>Danish</b>	Hermed erklærer Roland Corporation, at radioudstyrstypen Bluetooth er i overensstemmelse med direktiv 2014/53/EU. EU-overensstemmelseserklæringens fulde tekst kan findes på følgende internetadresse.
<b>German</b>	Hiermit erklärt Roland Corporation, dass der Funkanlagentyp Bluetooth der Richtlinie 2014/53/EU entspricht. Der vollständige Text der EU-Konformitätserklärung ist unter der folgenden Internetadresse verfügbar.
<b>Estonian</b>	Käesolevaga deklareerib Roland Corporation, et käesolev raadioseadme tüüp Bluetooth vastab direktiivi 2014/53/EL nõuetele. ELi vastavusdeklaratsiooni täielik tekst on kättesaadav järgmisel internetiaadressil.
<b>Greek</b>	Με την παρούσα ο/η Roland Corporation, δηλώνει ότι ο ραδιοεξοπλισμός Bluetooth πληροί την οδηγία 2014/53/ΕΕ. Το πλήρες κείμενο της δήλωσης συμμόρφωσης ΕΕ διατίθεται στην ακόλουθη ιστοσελίδα στο διαδίκτυο.
<b>Spanish</b>	Por la presente, Roland Corporation declara que el tipo de equipo radioeléctrico Bluetooth es conforme con la Directiva 2014/53/UE. El texto completo de la declaración UE de conformidad está disponible en la dirección Internet siguiente.
<b>French</b>	Le soussigné, Roland Corporation, déclare que l'équipement radioélectrique du type Bluetooth est conforme à la directive 2014/53/UE. Le texte complet de la déclaration UE de conformité est disponible à l'adresse internet suivante.
<b>Italian</b>	Il fabbricante, Roland Corporation, dichiara che il tipo di apparecchiatura radio Bluetooth è conforme alla direttiva 2014/53/UE. Il testo completo della dichiarazione di conformità UE è disponibile al seguente indirizzo Internet.
<b>Latvian</b>	Ar šo Roland Corporation deklarē, ka radioiekārta Bluetooth atbilst Direktīvai 2014/53/ES. Pilns ES atbilstības deklarācijas teksts ir pieejams šādā interneta vietnē.
<b>Lithuanian</b>	Aš, Roland Corporation, patvirtinu, kad radijo įrenginių tipas Bluetooth atitinka Direktyvą 2014/53/ES. Visas ES atitikties deklaracijos tekstas prieinamas šiuo interneto adresu.
<b>Croatian</b>	Roland Corporation ovime izjavljuje da je radijska oprema tipa Bluetooth u skladu s Direktivom 2014/53/EU. Cjeloviti tekst EU izjave o sukladnosti dostupan je na sljedećoj internetskoj adresi.
<b>Hungarian</b>	Roland Corporation igazolja, hogy a Bluetooth típusú rádióberendezés megfelel a 2014/53/EU irányelvnek. Az EU-megfelelőségi nyilatkozat teljes szövege elérhető a következő internetes címen.
<b>Maltese</b>	B'dan, Roland Corporation, niddikjara li dan it-tip ta' tagħmir tar-radju Bluetooth huwa konformi mad-Direttiva 2014/53/EU. It-test kollu tad-dikjarazzjoni ta' konformità tal-UE huwa disponibbli f'dan l-indirizz tal-Internet li ġej.
<b>Dutch</b>	Hierbij verklaar ik, Roland Corporation, dat het type radioapparatuur Bluetooth conform is met Richtlijn 2014/53/EU. De volledige tekst van de EU-conformiteitsverklaring kan worden geraadpleegd op het volgende internetadres.
<b>Polish</b>	Roland Corporation niniejszym oświadcza, że typ urządzenia radiowego Bluetooth jest zgodny z dyrektywą 2014/53/UE. Pełny tekst deklaracji zgodności UE jest dostępny pod następującym adresem internetowym.
<b>Portuguese</b>	O(a) abaixo assinado(a) Roland Corporation declara que o presente tipo de equipamento de rádio Bluetooth está em conformidade com a Diretiva 2014/53/UE. O texto integral da declaração de conformidade está disponível no seguinte endereço de Internet.
<b>Romanian</b>	Prin prezenta, Roland Corporation declară că tipul de echipamente radio Bluetooth este în conformitate cu Directiva 2014/53/UE. Textul integral al declarației UE de conformitate este disponibil la următoarea adresă internet.
<b>Slovak</b>	Roland Corporation týmto vyhlasuje, že rádiové zariadenie typu Bluetooth je v súlade so smernicou 2014/53/EÚ. Úplně EÚ vyhlásenie o zhode je k dispozícii na tejto internetovej adrese.
<b>Slovenian</b>	Roland Corporation potrjuje, da je tip radijske opreme Bluetooth skladen z Direktivo 2014/53/EU. Celotno besedilo izjave EU o skladnosti je na voljo na naslednjem spletnem naslovu.
<b>Finish</b>	Roland Corporation vakuuttaa, että radiolaitetyypin Bluetooth on direktiivin 2014/53/EU mukainen. EU-vaatimustenmukaisuusvakuutuksen täysimittainen teksti on saatavilla seuraavassa internetosoitteessa.
<b>Swedish</b>	Härmed försäkrar Roland Corporation att denna typ av radioutrustning Bluetooth överensstämmer med direktiv 2014/53/EU. Den fullständiga texten till EU-försäkran om överensstämmelse finns på följande webbadress.

The Declaration of Conformity may be consulted in Downloads menu of this product at the following internet address.

This unit has an RF transmitter(s) with the following specification.

- Operating frequency: 2400–2483.5 MHz
- Maximum RF transmit power: 2.5 mW

<http://www.roland.com/>

# Information

When you need repair service, call your nearest Roland Service Center or authorized Roland distributor in your country as shown below.

## AFRICA

### REUNION

**MARCEL FO-YAM Sarl**  
25 Rue Jules Hermann,  
Chaudron - BP79 97 491  
Ste Clotilde Cedex,  
REUNION ISLAND  
TEL: (0262) 218-429

### SOUTH AFRICA

**Paul Bothner(PTY)Ltd.**  
Royal Cape Park, Unit 24  
Londonderry Road, Ottery 7800  
Cape Town, SOUTH AFRICA  
TEL: (021) 799 4900

## ASIA

### CHINA

**Roland China Limited**  
No. 421 Ziyun Rd Changning  
District Shanghai T1 SOHO  
Tianshan Plaza Room 703-705  
Toll Free: 400-921-8771

### CAMBODIA

**SOUNDSCOOL MUSIC**  
#13, Street 178, Phnom Penh,  
CAMBODIA  
TEL: +855 (0) 12 698 349

### HONG KONG

**Tom Lee Music**  
11/F Silvercord Tower 1  
30 Canton Rd  
Tsimshatsui, Kowloon,  
HONG KONG  
TEL: 852-2737-7688

### Parsons Music Ltd.

8th Floor, Railway Plaza, 39  
Chatham Road South, T.S.T,  
Kowloon, HONG KONG  
TEL: 852-2333-1863

### INDIA

**Rivera Digitec (India) Pvt. Ltd.**  
411, Nirman Kendra,  
Off Dr. Edwin Moses Road,  
Mahalaxmi (W),  
Mumbai - 400011, INDIA  
TEL: (022) 2493 4512

### INDONESIA

**PT. Citra Intirama**  
Ruko Garden Shopping Arcade  
Unit 8 CR, Podomoro City  
J.Letjend. S.Parmar Kav.28  
Jakarta Barat 11470, INDONESIA  
TEL: (021) 5698-5519/5520

### KAZAKHSTAN

**Alatau Dybystary**  
141 Ablaı-Khan ave, 1st floor,  
050000 Almaty, KAZAKHSTAN  
TEL: +7 (727) 2725477  
FAX: +7 (727) 2720730

### KOREA

**Cosmos Corporation**  
27, Banpo-daero, Seocho-gu,  
Seoul, 06710 KOREA  
TEL: (02) 3486-8855

### MALAYSIA

**Roland Asia Pacific Sdn. Bhd.**  
45-1, Block C2, Jalan PJU 1/39,  
Dataran Prima, 47301 Petaling  
Jaya, Selangor, MALAYSIA  
TEL: (03) 7805-3263

### MYANMAR

**THAW AND ZIN FAMILY CO., LTD.**  
4061-4062, Taw Win Center,  
Level-3, Yangon, MYANMAR  
TEL: 09 31010744 / 09 5061300

### PHILIPPINES

**G.A. Yupangco & Co. Inc.**  
339 Gil J. Puyat Avenue  
Makati, Metro Manila 1200,  
PHILIPPINES  
TEL: (02) 899 9801

### SINGAPORE

**SWEE LEE MUSIC COMPANY  
PTE. LTD.**  
150 Sims Drive, SINGAPORE  
387381  
TEL: 6846-3676

### TAIWAN

**ROLAND TAIWAN ENTERPRISE  
CO., LTD.**  
9F-5, No. 112 Chung Shan  
North Road Sec. 2 Taipei 104,  
TAIWAN  
TEL: (02) 2561 3339

### THAILAND

**Theera Music Co., Ltd.**  
77/55 Boromratchachonnani  
Road, Arun Amarin, Bangkok  
Noi, Bangkok 10700, THAILAND  
TEL: 66-2-4249959, 66-2-4248588

### VIET NAM

**VIET THUONG CORPORATION**  
386 CACH MANG THANG TAM ST.  
DIST.3, HO CHI MINH CITY,  
VIET NAM  
TEL: (08) 9316540

## CARIBBEAN

### BARBADOS

**A&B Music Supplies LTD**  
12 Webster Industrial Park  
Wildely, St.Michael, BARBADOS  
TEL: (246) 430-1100

### CURACAO

**ZeeLandia Music Center Inc.**  
Orionweg 30  
Curacao, Netherland Antilles  
TEL: (305) 5926866

### DOMINICAN REPUBLIC

**Instrumentos Fernando Giraldez**  
Calle Roberto Pastoriza #325  
Sanchez Naco Santo Domingo,  
DOMINICAN REPUBLIC  
TEL: (809) 683 0305

### MARTINIQUE

**Musique & Son**  
Z.I.Les Mangle  
97232 Le Lamentin,  
MARTINIQUE F.W.I.  
TEL: 596 596 426860

### TRINIDAD

**AMR Ltd**  
Ground Floor Maritime Plaza  
Barataria TRINIDAD W.I.  
TEL: (868) 638 6385

## CENTRAL/SOUTH AMERICA

### ARGENTINA

**Instrumentos Musicales S.A.**  
Av.Santa Fe 2055  
(1123) Buenos Aires, ARGENTINA  
TEL: (011) 4508-2700

### BRAZIL

**Roland Brasil Ltda.**  
Rua Pacifico, 292  
06707-065, Cotia Sao Paulo,  
BRAZIL  
TEL: (011) 4615 5666

### CHILE

**Comercial Fancy II S.A.**  
Rut.: 96.919.420-1 Natanieł Cox  
#739, 4th Floor Santiago-Centro,  
CHILE  
TEL: (02) 384-2180

### COLOMBIA

**CENTRO MUSICAL S.A.S.**  
Parque Industrial del Norte  
Bodega 130  
GIRARDOTA - ANTIOQUIA,  
COLOMBIA  
TEL: (454) 57 77 EXT 115

### COSTA RICA

**JUAN Bansbach Instrumentos  
Musicales**  
Ave.1. Calle 11, Apartado 10237,  
San Jose, COSTA RICA  
TEL: 258-0211

### ECUADOR

**Mas Musica**  
Rumichaca 822 y Zaruma  
Guayaquil - ECUADOR  
TEL: (593-4) 2302364

### EL SALVADOR

**OMNI MUSIC**  
75 Avenida Norte y Final Alameda  
Juan Pablo II, Edificio No.4010  
San Salvador, EL SALVADOR  
TEL: 262-0788

### GUATEMALA

**Casa Instrumental**  
Calzada Roosevelt 34-01,zona  
11 Ciudad de Guatemala,  
GUATEMALA  
TEL: (502) 599-2888

### HONDURAS

**Almacen Pajaro Azul S.A. de C.V.**  
BO.Paz Barahona  
3 Ave.11 Calle S.O  
San Pedro Sula, HONDURAS  
TEL: (504) 553-2029

### NICARAGUA

**Bansbach Instrumentos  
Musicales Nicaragua**  
Altamira D'Este Calle Principal de  
la Farmacia 5ta.Avenida  
1 Cuadra al Lago.#503  
Managua, NICARAGUA  
TEL: (505) 277-2557

### PANAMA

**SUPRO MUNDIAL, S.A.**  
Boulevard Andrews, Albrook,  
Panama City, REP. DE PANAMA  
TEL: 315-0101

### PARAGUAY

**Distribuidora De Instrumentos  
Musicales**  
J.E. Olear y ESQ. Manduvira  
Asuncion, PARAGUAY  
TEL: (595) 21 492147

### PERU

**Audionet Distribuciones  
Musicales SAC**  
Av. 2 de Mayo 562 Miraflores  
Lima, PERU  
TEL: (511) 447-0691

### URUGUAY

**Todo Musica S.A.**  
Francisco Acuna de Figueroa  
1771  
C.P.: 11.800  
Montevideo, URUGUAY  
TEL: (02) 924-2335

### VENEZUELA

**Instrumentos Musicales  
Allegro, C.A.**  
Av.Ias industrias edf.Guitar  
import #7 zona Industrial de  
Turumo Caracas, VENEZUELA  
TEL: (212) 244-1122

## EUROPE

### BELGIUM/FRANCE/ HOLLAND/ LUXEMBOURG

**Roland Central Europe N.V.**  
Houtstraat 3, B-2260, Oevel  
(Westerlo) BELGIUM  
TEL: (014) 575811

### BOSNIA AND HERZEGOVINA

**Mix-AP Music**  
78000 Banja Luka, Veselina  
Maslese 3,  
BOSNIA AND HERZEGOVINA  
TEL: +387 65 403 168

### BULGARIA

**ProTechnica Bulgaria Ltd.**  
Trade Center EUROPE, Building  
#10, 7 Iskarsko Chausee blvd.  
1528 Sofia, BULGARIA  
TEL: +359 2 978 2025  
FAX: +359 2 978 5870

### CZECH REPUBLIC

**Czech Republic Distributor s.r.o.**  
Pod Bani 8 180 00 Praha 8,  
CZECH REPUBLIC  
TEL: 00420 266 312 557

### DENMARK/ESTONIA/ LATVIA/LITHUANIA

**Roland Scandinavia A/S**  
Skagerrakvej 7, DK-2150  
Nordhavn, DENMARK  
TEL: (+45) 3916 6200

### FINLAND

**Roland Scandinavia A/S, Filial  
Finland**  
Vanha Nurmijarventie 62  
01670 Vantaa, FINLAND  
TEL: (0) 9 68 24 020

### GERMANY/AUSTRIA

**Roland Germany GmbH.**  
Adam-Opel-Strasse 4, 64569  
Nauheim, GERMANY  
TEL: 6152 95546-00

### GREECE/CYPRUS/ ITALY

**Roland South Europe S.p.A**  
viale delle industrie 8, 20020  
Arese, Milano, ITALY  
TEL: (+39) 02-937-781

### HUNGARY

**Roland East Europe Ltd.**  
2045. Törökbálint, FSD Park 3. ép.,  
HUNGARY  
TEL: (23) 511 011

### IRELAND

**Roland Ireland**  
G2 Calmount Park, Calmount  
Avenue, Dublin 12,  
Republic of IRELAND  
TEL: (01) 4294444

### MACEDONIA

**MK MUJIZIK**  
Aleksio Demnievski-Bauman 9-3,  
1400 Veles, MACEDONIA  
TEL: +389 70 264 458

### MONTENEGRO

**MAX-AP**  
Przno, Kamenovo bb., 86000  
Budva, MONTENEGRO  
TEL: +382 68 050 112

### NORWAY

**Roland Scandinavia A/S  
Kontor Norge**  
Lilleakerveien 2 Postboks 95  
Lilleaker N-0216 Oslo,  
NORWAY  
TEL: 2273 0074

### POLAND

**ROLAND POLSKA SP. Z O.O.**  
ul. Katy Grodziskie 16B  
03-289 Warszawa, POLAND  
TEL: (022) 678 9512

### PORTUGAL

**Roland Iberia S.L.  
Branch Office Porto**  
Rua 5 de Outubro nº 5587  
4465-082 Sao Mamede de  
Infesta, Porto, PORTUGAL  
TEL: (+351) 22 01 39 526

### ROMANIA

**Pro Music Concept SRL**  
440221 Satu Mare  
B-dul Independentei nr. 14/a.,  
ROMANIA  
TEL: (0361) 807-333

### RUSSIA

**Roland Music LLC**  
Odesskaya St. 2C, 19th floor,  
117638 Moscow, RUSSIA  
TEL: +7 (495) 981-4967

### SERBIA

**Music AP**  
Sutjeska br. 5 XS - 24413 PALIC,  
SERBIA  
TEL: (0) 24 539 395

### SLOVAKIA

**DAN Acoustic s.r.o.**  
Povazska 18. SK-940 01 Nove  
Zamky, SLOVAKIA  
TEL: (035) 6424 330

### SPAIN

**Roland Iberia S.L.**  
Llacuna, 161, 2º-2º  
08018 Barcelona, SPAIN  
TEL: (00 34) 93 493 91 36

### SWEDEN

**Roland Scandinavia A/S  
SWEDISH SALES OFFICE**  
Märbackagatan 31, 4 tr.  
SE-123 43 Farsta, SWEDEN  
TEL: (0) 8 683 04 30

### SWITZERLAND

**Roland (Switzerland) AG**  
Landstrasse 5, Postfach,  
CH-4452 Itingen, SWITZERLAND  
TEL: (061) 975-9987

### TURKEY

**ZUHAL DIS TICARET A.S.**  
Galipdede Cad. No: 33 Tunel,  
Beyoglu, Istanbul, Turkey  
TEL: (0212) 249 85 10

### UKRAINE

**EURHYTHMICS Ltd.**  
P.O.Box: 37-a. Nedecey Str. 30  
UA-89600 Mukachevo, UKRAINE  
TEL: (03131) 414-40

### UNITED KINGDOM

**Roland (U.K.) Ltd.**  
Atlantic Close, SWANSEA SW4  
9EJ, UNITED KINGDOM  
TEL: (01792) 702701

## MIDDLE EAST

### BAHRAIN

**Moon Stores**  
No.1231&1249 Rumaytha  
Building Road 3931,  
Manama 339, BAHRAIN  
TEL: 17 813 942

### EGYPT

**Al Fanny Trading**  
9, EBN Hagar Al Askalany Street,  
ARD El GOLF, Heliopolis,  
Cairo 11341, EGYPT  
TEL: (022)-417-1828

### IRAN

**MOCO INC.**  
Jadeh Makhsoos Karaj (K-9),  
Nakhe Zarin Ave,  
Jalal Street, Reza Alley No.4  
Tehran 1389716791, IRAN  
TEL: (021)-44545370-5

### ISRAEL

**Haliit P. Greenspoon &  
Sons Ltd.**  
8 Retzif Ha'alial Hashnia St.  
Tel-Aviv-Yafo ISRAEL  
TEL: (03) 6823666

### JORDAN

**MUSIC HOUSE CO. LTD.  
FREDDY FOR MUSIC**  
P. O. Box 922846  
Amman 11192, JORDAN  
TEL: (06) 5692696

### KUWAIT

**EASA HUSAIN AL-YOUSIFI &  
SONS CO.**  
Al-Yousifi Service Center  
P.O.Box 126 (Safat) 13002,  
KUWAIT  
TEL: 00 965 802929

### LEBANON

**Chahine S.A.L.**  
George Zeidan St., Chahine Bldg.,  
Achrafieh, P.O.Box: 16-5857  
Beirut, LEBANON  
TEL: (01) 20-1441

### OMAN

**TALENTZ ENTERPRISES LLC**  
MALATAN BUILDING NO. 4  
SHOP NO. 3  
AL NOOR STREET  
RUWI  
SULTANATE OF OMAN.  
TEL: 00968 24783443  
FAX: 00968 24784554

### QATAR

**BADIE STUDIO & STORES**  
SOUK AREA-AL MIRGAB R/A-  
SHOP NO.2 MUSEUM STREET-  
OLDAL-HITMI AREA-P.O. BOX: 62  
DOHA, STATE OF QATAR  
TEL: 4423-554

### SAUDI ARABIA

**Adawliah Universal  
Electronics APL**  
Behind Pizza Inn  
Prince Turkey Street  
Adawliah Building,  
PO BOX 2154,  
Al Khobar 31952,  
SAUDI ARABIA  
TEL: (03) 8643601

### SYRIA

**Technical Light & Sound Center**  
PO Box 13520 Bldg No.49  
Khaled Abn Alwalid St.  
Damascus, SYRIA  
TEL: (011) 223-5384

### U.A.E.

**Adawliah Universal  
Electronics APL**  
Omar bin alkhattab street, fish  
round about, nayef area, deira,  
Dubai, U.A.E.  
TEL: (04) 2340442

## NORTH AMERICA

### CANADA

**Roland Canada Ltd.  
(Head Office)**  
Suite 204-9900 King George  
Boulevard  
Surrey, British Columbia  
V3T 0K9, CANADA  
TEL: (604) 270 6626

### Roland Canada Ltd. (Eastern Office)

001-1179 King Street West  
Toronto ON M6K 3C5, CANADA  
TEL: (647) 361 2080

### MEXICO

**Casa Veerkamp, s.a. de c.v.**  
Av. Toluca No. 323, Col. Olivar  
de los Padres 01780 Mexico D.F.,  
MEXICO  
TEL: (55) 5668-6699

### U. S. A.

**Roland Corporation U.S.**  
5100 S. Eastern Avenue  
Los Angeles, CA 90040-2938,  
U. S. A.  
TEL: (323) 890 3700

## OCEANIA

### AUSTRALIA

**Roland Corporation  
Australia**  
38 Campbell Ave.  
Dee Why, NSW 2099, AUSTRALIA  
TEL: +61 (02) 9982-8266

### NEW ZEALAND

**Music NZ Ltd**  
PO Box 132-015  
Silvia Park  
Mt Wellington 1644  
AUCKLAND, NEW ZEALAND  
Email: admin@musicnz.co.nz

