

ARTcessories™

Creative audio solutions in cool little boxes.

March 2003

DeeJayPRE

Phono Preamp w/ RIAA EQ

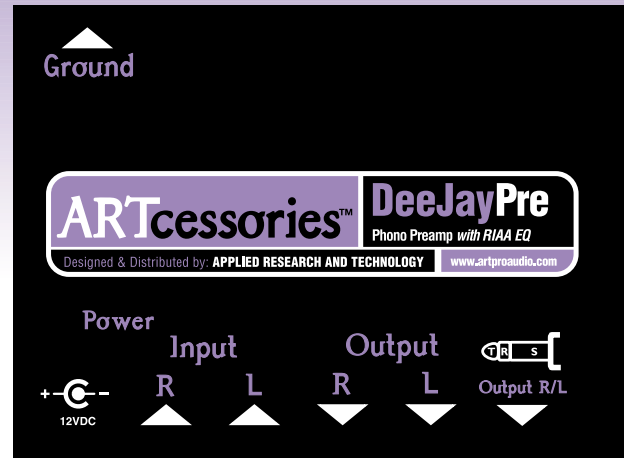
Phonograph records have three basic problems:

1. It is physically impossible to press them with ridges that end up allowing low frequencies to come out at the same reproduction level as mid and high frequencies. Bass compensation is therefore needed during playback.
2. Records produce a certain amount of hiss which is covered up in post-production by boosting the gain of the high frequencies before pressing. Counter-EQing during playback compensates for this.
3. Magnetic cartridges produce a weak signal, which must be boosted to match the rest of the amplification, and this too is done during playback. In the mid-1950s, the Recording Industry Association of America established compensation standards. The resulting RIAA preamp has been built into every hi-fi and stereo amplifier with phono or turntable inputs since then. A separate RIAA preamp is necessary when you are connecting a turntable to a mixer that does not have one built in.

Specifications:

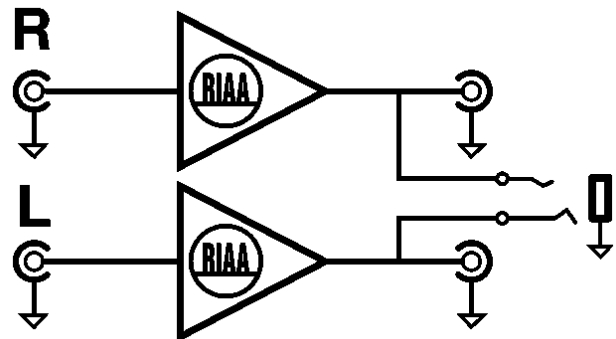
The DeeJayPRE features an RIAA-type phono preamp circuit housed in a rugged metal case with full patching facilities for connecting it to a phono turntable and mixer.

- Dual RCA-type inputs
- Dual RCA-type outputs
- Supports both MC & MM cartridges
- 1/4" stereo output (in case the mixer only has 1/4" inputs)
- Ground terminal
- Power: 12V DC (Adapter included)
- Dimensions: 3.75 x 2.875 x 1.75 inches (95mm x 73mm x 45mm)
- Weight: 1lb (454g)



Usage:

- a.) Connect the AC adapter to the 12V DC Power Input on the DeeJayPRE and plug the other end into a 120V AC power outlet.
- b.) Connect the turntable leads to the Input connectors on the DeeJayPRE.
- c.) If the turntable has a separate ground wire, attach it to the Ground terminal on the DeeJayPRE. This is to reduce hum.
- d.) Connect the DeeJayPRE's RCA or 1/4" Outputs to the appropriate inputs on your mixer
- e.) If the mixer does not have RCA inputs (on any of the channels) a stereo 1/4" male to dual mono 1/4" male "Y" cord will be needed. Connect the 1/4" Output on the DeeJayPRE to a pair of input channels on the mixer via their line inputs.



90 DAY
WARRANTY

ART
APPLIED RESEARCH AND TECHNOLOGY

DESIGNED & DISTRIBUTED BY: APPLIED RESEARCH AND TECHNOLOGY • 215 Tremont Street • Rochester, New York 14608 • USA
For Customer Service, please call: 585.436.2720 • Email: cserve@artproaudio.com • www.artproaudio.com • ART-ARTcs-03/03