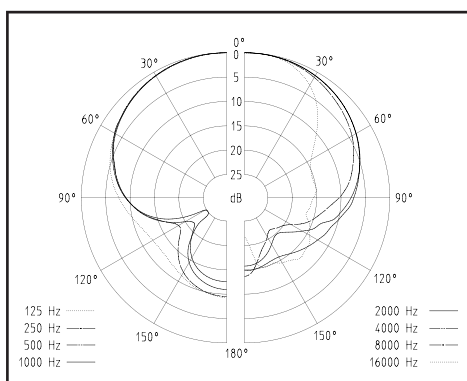
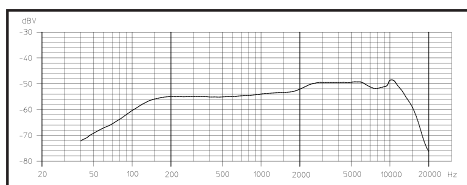


evolution


e945 Lead Vocal Stage Microphone

The e945 is a supercardioid lead vocal stage microphone specially designed to perform under pressure while exhibiting a naturally smooth response. Made for the working musician. Excellent sound results guaranteed, day to day, 365 days a year. First choice for rental companies.

Features—Benefits

- | | |
|---------------------------------------|-----------------------------------------------|
| • Metal construction | Rugged and reliable |
| • Shock-mounted capsule | Low sensitivity to impact and handling noise |
| • Supercardioid pickup pattern | Insulation from other on-stage signals |
| • Hum compensating coil | Reduces electrical interference |
| • Neodymium ferrous magnet with boron | Keeps microphone stable regardless of climate |
| • Falcon ring | Consistent sound over time |
| • Made in Germany | |

Supplied Accessories

- 1 Protective pouch
- 1 MZQ 800 microphone clip

Technical data

Pick-up pattern	Supercardioid
Frequency response	40 – 18.000 Hz
Sensitivity (free field, no load at 1 kHz)	2.0 mV/Pa
Nominal impedance	350 Ohms
Min. terminating impedance	1000 Ohms
Dimensions	1.85" x 7.32" 47 x 186 (mm)
Weight	11.64 oz (330 g)

Sennheiser Electronic Corporation, 1 Enterprise Drive, Old Lyme, CT 06371

Telephone: 860-434-9190 • Fax: 860-434-1759 • Web: <http://www.sennheiserusa.com>

Sennheiser Mexico: Av. Xola 613, PH6, Col. Del Valle 03100, Mexico, DF. Telephone: (525) 639-0956. Fax: (525) 639-9482

Sennheiser Canada: 221 Labrosse Ave, Pte-Claire, PQ H9R 1A3. Telephone: 514-426-3013. Fax: 514-426-3953

Manufacturing Plant: Am Labor 1, 30900 Wedemark, Germany