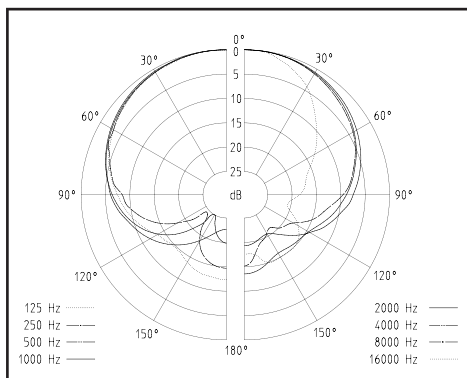
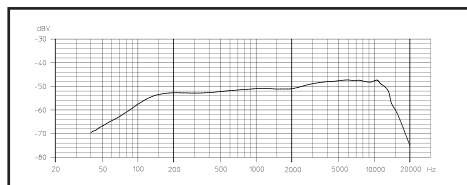


**evolution**


## e935 Vocal Stage Microphone

The e935 is a cardioid vocal stage microphone specially designed to perform under pressure while cutting through the mix with its high output. Made for the working musician. Excellent sound results guaranteed, day to day, 365 days a year. First choice for rental companies.

### Features—Benefits

- |                                       |   |
|---------------------------------------|---|
| • Metal construction                  | Rugged and reliable                           |
| • Shock-mounted capsule               | Low sensitivity to impact and handling noise  |
| • Cardioid pickup pattern             | Insulation from other on-stage signals        |
| • Hum compensating coil               | Reduces electrical interference               |
| • Neodymium ferrous magnet with boron | Keeps microphone stable regardless of climate |
| • Falcon ring                         | Consistent sound over time                    |
| • Made in Germany                     |   |

### Supplied Accessories

- 1 Protective pouch
- 1 MZQ 800 microphone clip

### Technical data

Pick-up pattern	Cardioid
Frequency response	40 – 16.000 Hz
Sensitivity (free field, no load at 1 kHz)	2.8 mV/Pa
Nominal impedance	350 Ohms
Min. terminating impedance	1000 Ohms
Dimensions	1.85" x 7.12" 47 x 181 (mm)
Weight	11.64 oz (330 g)

**Sennheiser Electronic Corporation**, 1 Enterprise Drive, Old Lyme, CT 06371

Telephone: 860-434-9190 • Fax: 860-434-1759 • Web: <http://www.sennheiserusa.com>

**Sennheiser Mexico**: Av. Xola 613, PH6, Col. Del Valle 03100, Mexico, DF. Telephone: (525) 639-0956. Fax: (525) 639-9482

**Sennheiser Canada**: 221 Labrosse Ave, Pte-Claire, PQ H9R 1A3. Telephone: 514-426-3013. Fax: 514-426-3953

Manufacturing Plant: Am Labor 1, 30900 Wedemark, Germany