



The CVi-252 is a portable, full range, dual fifteen-inch quasi 3-way main loudspeaker system designed for live music and playback applications. The CVi-252 features two high power, cast frame, fifteen inch transducers with a 2.5 inch voice coil to handle the low and low/midrange frequencies and a 34mm PETP (polyethylene terephthalate) diaphragm compression driver mounted to a 80° H x 50° V hemi conical horn for smooth, accurate on and off axis high frequency performance. Advanced crossover network designs are employed for coherent cross-band summation throughout the coverage pattern.

## Applications

- Portable live sound PA
- DJ system PA
- Auditoriums
- Fill monitor
- Clubs
- Outdoor stages

## Feature Data

<b>Model</b>	CVi-252
<b>System Configuration</b>	Quasi 3-Way main
<b>Connections</b>	2 ea.—1/4" Phone Jack and Neutrik Speakon
<b>Low Frequency System</b>	Dual Reflex loaded 15" transducer
<b>High Frequency System</b>	1 inch exit 80° H x 50° V
<b>Enclosure Type</b>	Vented, trapezoid
<b>Enclosure Structure</b>	18mm OSB, internal bracing
<b>External Covering</b>	Black polypropylene fiber
<b>Grille Material</b>	18 gauge black powder coated steel

## Performance & Physical Specifications

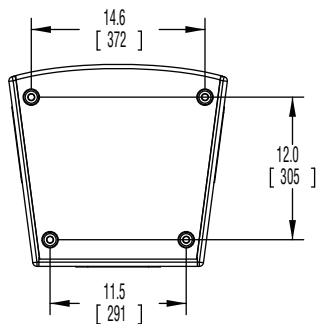
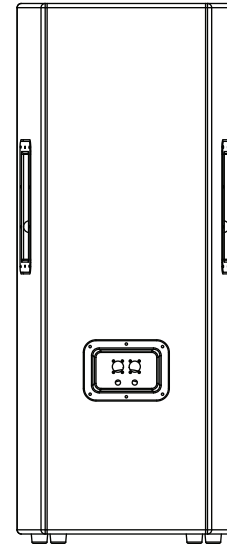
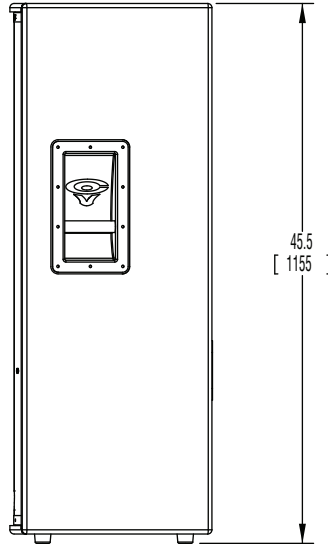
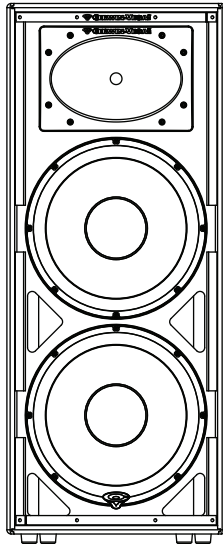
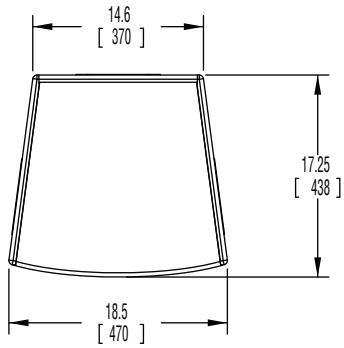
<b>Frequency Response</b>	+/- 3 dB 62 Hz—12 kHz
<b>Operating Range</b>	-10 dB 39 Hz—20 kHz
<b>Nominal Impedance (Ohms)</b>	Full Range 4 Ohms
<b>Axial Sensitivity (dB SPL, 1W / 1M)</b>	Full Range 99 dB
<b>Calculated Maximum Output (dB SPL, @ 1M)</b>	Full Range 132 dB
<b>Power Handling (Watts)</b>	RMS 500 W / Program 1000 W / Peak 2000 W
<b>Nominal Directivity / -6dB points (Degrees)</b>	Horizontal: 80° / Vertical: 50°
<b>Dimensions (H x W x D)</b>	45.50" (1155mm) x 18.50" (470mm) x 17.25" (438mm)
<b>Weight</b>	95.5 Lbs. (43.3 kg)

## Enclosure

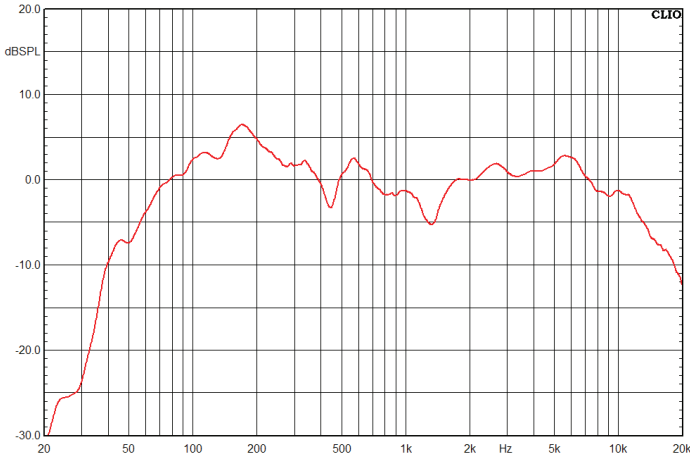
**Material:** 18mm OSB (Oriented Strand Board)

**Finish:** Black polypropylene fiber covering

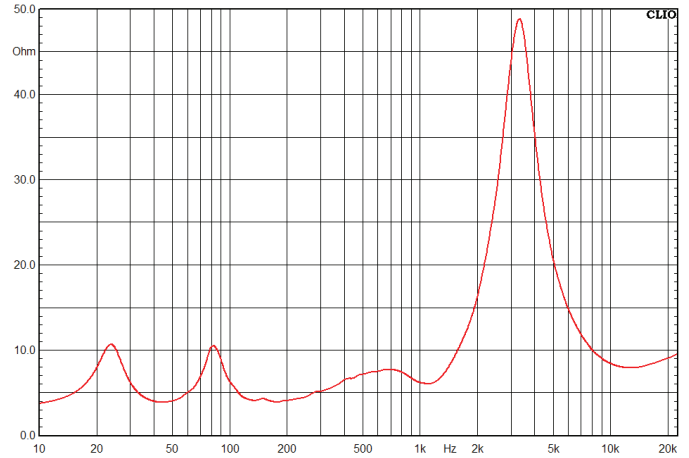
**Grille:** Black powder coated 18 gauge perforated steel



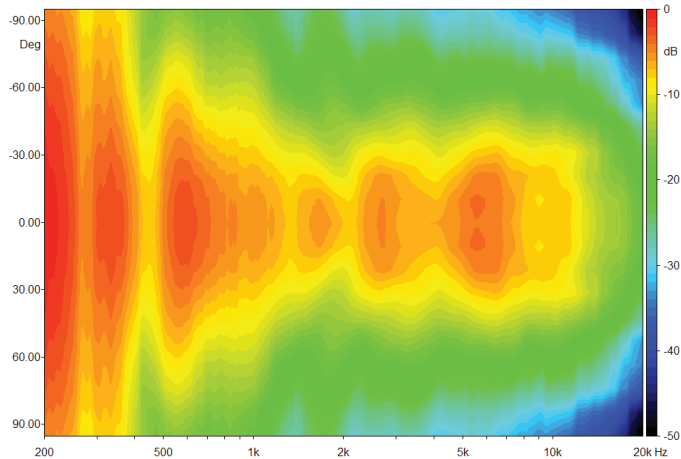
## Frequency Response, Full Range



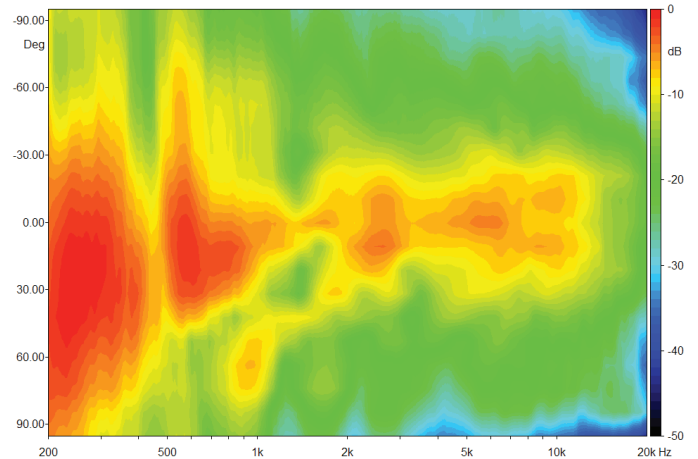
## Impedance Magnitude, Full Range



## Horizontal Directivity, Full Range



## Vertical Directivity, Full Range



### Graphical Data NOTES:

1. Frequency Response: Variation of dB SPL versus frequency. Normalized to 0dB SPL, 1/3 octave smoothing applied.
2. Horizontal Directivity: Variation of dB SPL versus frequency and horizontal off axis angle. Normalized to 0dB SPL, 1/3 octave smoothing applied to reduce insignificant details.
3. Vertical Directivity: Variation of dB SPL versus frequency and vertical off axis angle. Normalized to 0dB SPL, 1/3 octave smoothing applied to reduce insignificant details.
4. Impedance magnitude: Variation in impedance, in ohms, versus frequency. 1/6 octave smoothing applied to reduce insignificant details.