



beatswireless.

USER GUIDE

Table of Contents

EN	Important Safety Information	4
	Keys and Parts	7
	Charge the Battery	8
	Switch On	9
	Switch Off	10
	Pairing	10
	Adjust the Volume	11
	Specifications	11
	Calls	12
	Disconnect the Headset	12
	Reconnect the Headset	12
	Listen to Music	13
	Clear Settings or Reset	13
	Passive Mode	13
	Using the Remote Mic	14
	FCC Warning	16
FR	Renseignements de sécurité importants	18
	Numéros et pièces	21
	Chargement de la pile	22
	Mise sous tension	23
	Mise hors tension	24
	Jumelage	24
	Ajustement du volume	25
	Spécifications	25
	Appels	26
	Déconnexion du casque d'écoute	26

Reconnexion du casque d'écoute	26
Écoute de musique	27
Réinitialisation des paramètres	27
Mode passif	27
Utilisation du microphone de la télécommande	28
Mise en garde de la CFC	30
ES Información importante sobre seguridad	32
Botones y Partes	35
Cargue la batería	36
Encendido	37
Apagar	38
Conexión	38
Ajuste el volumen	39
Especificaciones	39
Llamadas	40
Desconecte los auriculares	40
Vuelva a conectar el auricular	40
Escuche música	41
Despeje las configuraciones o restaure	41
Modo Pasivo	41
Uso del micrófono remoto	43
Advertencia de FCC	44

PT	Informações Importantes de Segurança	46
	Teclas e Peças	49
	Carregar a Bateria	50
	Ligar	51
	Desligar	52
	Emparelhamento	52
	Ajustar o Volume	53
	Especificações	53
	Chamadas	54
	Desconectar o Fone de Ouvido	54
	Reconectar o Fone de Ouvido	54
	Ouvir Música	55
	Apagar Configurações ou Redefinir	55
	Modo Passivo	55
	Utilização do Microfone Remoto	56
	Alerta da FCC	58

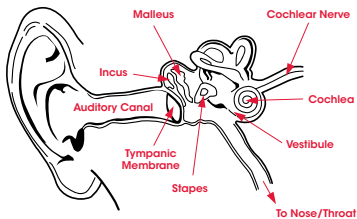


Important Safety Information

Listen Responsibly

To avoid hearing damage, make sure that the volume on your music player is turned down before connecting your headphones. After placing headphones in/on your ears, gradually turn up the volume until you reach a comfortable listening level. Noise levels are measured in decibels (dB), exposure to any noise at or above 85 dB can cause gradual hearing loss. Monitor your use; hearing loss is a function of loudness versus time. The louder it is, the less time you can be exposed to it. The softer it is, the more time you can listen to it.

Physiology of the Ear



English

This decibel (dB) table compares some common sounds and shows how they rank in potential harm to hearing.

SOUND	NOISE LEVEL (dB)	EFFECT
Whisper	30	Very quiet
Quiet Office	50-60	Comfortable hearing levels are under 60dB
Vacuum Cleaner, Hair Dryer	70	Intrusive; interferes with telephone conversations
Food Blender	85-90	85 dB is the level at which hearing damage (8 hrs.) begins
Garbage Truck, Cement Mixer	100	No more than 15 minutes of unprotected exposure recommended for sounds between 90-100 dB
Power Saw, Drill/Jackhammer	110	Regular exposure to sound over 100 dB of more than 1 minute risks permanent hearing loss
Rock Concert (varies)	110-140	Threshold of pain begins around 125 dB

*Chart information from http://www.nidcd.nih.gov/health/education/teachers/pages/common_sounds.aspx

English

"... a typical person can safely listen to an iPod® for 4.6 hours per day at 70% volume."

"... knowing the levels one is listening to music at, and for how long is extremely important."

From <http://www.cbc.ca/health/story/2006/10/19/music-earphones.html>

Get the most out of your equipment and enjoy great audio performance even at safe levels. Our headphones will allow you to hear more details at lower volume levels than ever before.

Use Responsibly

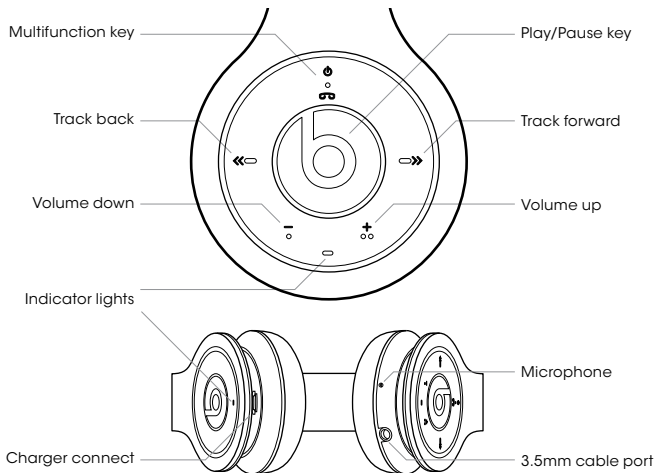
Do not use headphones when it's unsafe to do so—while operating a vehicle, crossing streets, or during any activity or in an environment where your full attention to your surroundings is required.

It's dangerous to drive while wearing headphones, and in many places, illegal because it decreases your chances of hearing life-saving sounds outside of your vehicle, such as another car's horn and emergency vehicle sirens. Please avoid wearing your headphones while driving. Use an FM transmitter to listen to your mobile media devices instead.

Learn how to establish a safe listening level and review other important safety guidelines from the Consumer Electronics Association at www.ce.org and the Deafness Research Foundation at www.drf.org.

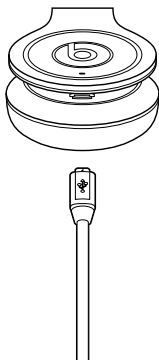
Keys and Parts

The headset contains the following parts:



Before using the headset, you must charge the battery and pair the headset with a compatible device.

Charge the Battery



The headset contains a Micro USB cable that can be connected to your computer or other device made for USB charging. Plug the Micro USB end of the included USB cable into the USB micro port charger connector under the left earcup of the headphone. Plug the other end into a USB port on your computer or other devices made for USB charging. The indicator light will be red while charging. Once fully charged, the indicator light will be a steady green. Charge time is one hour on an empty battery. The fully charged battery has power for up to 10 hours talking and/or music time and up to 100 hours standby time.

Note:

You can still enjoy your music while charging your headphone.

Warning:

(1) Please pay attention to the environmental aspects of battery disposal. Battery must be recycled or disposed of properly. (2) Batteries (battery pack or batteries installed) should not be exposed to excessive heat, such as sunshine, fire, or the like.

Switch On



To switch on, press and hold the multifunction key about two seconds.

The headset beeps ascending tones, and the blue indicator light is briefly displayed. When the headset tries to connect to the last used phone or music player, the red indicator light flashes slowly. When the headset is connected to a device and is ready for use, the blue indicator light flashes slowly. If the headset has not been paired with a device, it automatically enters the pairing mode.

Switch Off

To switch off, press and hold the multifunction key for about three seconds. The headset beeps descending tones, and the red indicator light is briefly displayed. If the headset is not connected to a device within 10 minutes, it switches off automatically.

Pairing

1. Ensure that your phone or music player is switched on.
2. To pair the headset if it has not been previously paired with a device, switch on the headset. The headset enters the pairing mode, and the blue and red indicator light starts to flash quickly. To pair the headset if it has been previously paired with another device, ensure that the headset is switched off, and press and hold the multifunction key (for about five seconds) until the blue and red indicator light starts to flash quickly.
3. Activate the Bluetooth® feature on your phone or music player, and set it to search for Bluetooth® devices.
4. Select "Beats Wireless™" from the list of found devices on your phone or music player.
5. If necessary, enter passcode 0000 to pair and connect the headset to your device.

Adjust the Volume

To adjust the headset volume, press the volume up or down key during a call or while listening to music. To adjust the volume quickly, press and hold either key.

Warning

Excessive sound pressure from earphones and headphones can cause hearing loss.

Specifications

Beats Wireless™ can make and receive calls hands-free with your compatible mobile phone and listen to music from a compatible music player, but they should be within 10 meters (33 feet) of each other.

The headset is compliant with the Bluetooth® Specification 2.1 + EDR support the following profiles: Headset Profile (HSP) V 1.2, Hands-Free Profile (HFP) V 1.5, Advanced Audio Distribution Profile (A2DP) V 1.0, and Audio Video Remote Control Profile (AVRCP) V 1.0. Input rating 5V DC, 0.5A.

Calls

To make a call, use your mobile phone in the normal way when the headset is connected to it. To activate voice dialing (if your phone supports this feature with the headset), when no call is in progress, press the multifunction key twice quickly until the phone starts voice dialing, and proceed as described in the phone user guide. To answer or end a call, quickly press the multifunction key.

To reject a call, press and hold the multifunction key for approximately two seconds. To mute or unmute the microphone during a call, press the play/pause key. To switch a call (in progress) from the headset to the connected phone, press and hold the multifunction key for about two seconds. To switch a call (in progress) from the phone to the headset, press and hold the multifunction key for about two seconds.

Disconnect the Headset

To disconnect the headset from your device, switch off the headset, or disconnect it in Bluetooth® menu of your device.

Reconnect the Headset

To connect the headset to the phone or music player that you have last used with it, switch on the headset, or make the connection in the Bluetooth® menu of your device.

Listen to Music

To listen to music, connect the headset to compatible music player that supports A2DP Bluetooth® profile. The available music functions depend on your music player. If you receive or make a call while listening to music, the music is paused until the call ends. To play a song, select in the music player and press the Play/Pause key on the Beats Wireless™ headset. To pause or resume playing a song, press the Play/Pause key. To select the next song during playback, press the track forward key quickly. To select the previous song, press the track back key (once or twice) quickly. To scroll through the current song quickly, press and hold either key.

Clear Settings or Reset

To clear the pairing settings from the headset, switch off the headset and press and hold the multifunction and volume down keys (for over eight seconds) until the red and blue indicator lights alternate three times. To reset the headset, connect the headset to a charger and press both the multifunction and volume up keys.

Passive Mode

You can use Beats Wireless™ as a wired headphone to save batteries. Simply connect one end of the included CTU cable to the bottom of the earcup and the other to your MP3 player. Inserting an audio cable disables wireless functionality.

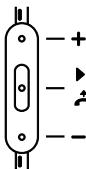
Using the Remote Mic

Beats Wireless™ comes equipped with a convenient remote mic cable allowing you to take calls and talk hands-free when Bluetooth® connectivity is not accessible. Some functionality will vary by phone model. Please consult your phone's owner's manual.

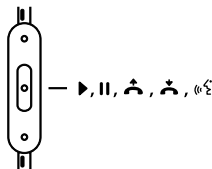
Functions include:

- Play ▶
- Pause ||
- Skip Forward/
Backward ►► ◀◀
- Scan Forward/
Backward ►► ◀◀
- Answer 📞
- End Call 📞
- Voice Command 🗣️
- Volume Control + -

iPod®, iPhone® & iPad®



HTC, Blackberry & Android



Note: Functionality varies by device.

Play or pause a song or video: Press and release the center button. Repeat to resume.

Skip track or backward to next song or video: Press and release the center button twice quickly to skip forward. Press and release three times quickly to skip back.

Scan forward or backward through a song or video: In quick motion, press the center button twice, hold on the second press to scan forward. Release when you want to stop scanning. To scan backward, press the center button three times, holding on the third press.

Answer or end a call: Press and release the center button once to answer. Repeat to end the call.

Decline an incoming call: Press and hold the center button for two seconds, then release. There will be two beeps when you let go to indicate successful operation.

Voice Command: Press and hold the center button until voice activation starts up. Functionality will vary by device.

Control volume: Press the top button to increase volume. Press the bottom button to decrease volume. Functionality will vary by device.

FCC Warning

FCC ID: COW8100012

This device complies with Part 15 of FCC Rules. Operation is subject to the following two conditions: (1) This device may not cause harmful interference, and (2) This device must accept any interference received, including interference that may cause undesired operation. Changes or modification not expressly approved by the party responsible for Compliance could void the user's authority to operate the equipment. Connecting of peripherals requires the use of grounded shielded signal cables. The socket-outlet shall be installed near the equipment and shall be easily accessible.

Note

This equipment has been tested and found to comply with the limits for a Class B digital device, pursuant to Part 15 of the FCC Rules. These limits are designed to provide reasonable protection against harmful interference in a residential installation. This equipment generates, uses and can radiate radio frequency energy and, if not installed and used in accordance with the instructions, may cause harmful interference to radio communications. However, there is no guarantee that interference will not occur in a particular installation. If this equipment does cause harmful interference to radio or television reception, which can be determined by turning the equipment off and on, the user is encouraged to try to correct the interference by one or more of the following measures:

English

- Reorient or relocate the receiving antenna.
- Increase the separation between the equipment and receiver.
- Connect the equipment into an outlet on a circuit different from that to which the receiver is connected.
- Consult the dealer or an experienced radio/TV technician for help.

Caution

Changes or modifications not expressly approved by the party responsible for compliance could void the user's (or your) authority to operate the equipment.

Avoid storage in extreme heat or cold. Avoid exposure to liquids, temperature extremes and high humidity. The product's working temperature range is 0–45°C (32–113°F).

Canada Statement

This device complies with Industry Canada RSS-210. Operation is subject to the following two conditions: (1) this device may not cause interference, and (2) this device must accept any interference, including interference that may cause undesired operation of the device.

The device meets the exemption from the routine evaluation limits in section 2.5 of RSS 102 and compliance with RSS-102 RF exposure, users can obtain Canadian information on RF exposure and compliance.

Register Your Beats® Today

www.beatsbydre.com/register

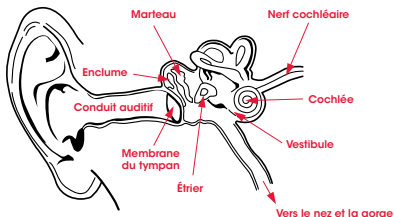


Renseignements de sécurité importants

Utilisation responsable

Pour éviter de subir des dommages auditifs, assurez-vous que le volume de votre lecteur multimédia est réduit avant de brancher vos écouteurs. Après avoir placé les écouteurs dans vos oreilles, augmentez graduellement le volume jusqu'à un niveau d'écoute agréable. Les niveaux sonores sont mesurés en décibels (dB). L'exposition à des bruits de 85 dB ou plus peut graduellement causer une perte auditive. Surveillez votre utilisation des écouteurs; la perte auditive dépend du niveau sonore et de la durée de l'écoute. Plus un son est fort, moins vous devez vous y exposer. Plus un son est doux, plus longtemps vous pouvez l'écouter.

Physiologie de l'oreille



Français

Le tableau de décibels (dB) suivant compare certains sons communs et classe les dommages potentiels à l'audition.

SON	NIVEAU SONORE (dB)	EFFET
Chuchotement	30	Très calme.
Bureau calme	50 -60	Les niveaux d'écoute agréables sont inférieurs à 60 dB.
Aspirateur, sèche-cheveux	70	Intrusif, interfère avec les conversations téléphoniques.
Mélangeur	85 -90	85 dB équivaut au niveau auquel l'audition commence à être endommagée (8 heures).
Camion à ordures, bétonnière	100	Nous recommandons de ne pas dépasser 15 minutes d'exposition non protégée pour les sons compris entre 90 et 100 dB.
Scie à chaîne, foreuse/marteau perforateur	110	Une exposition régulière à un son supérieur à 100 dB pendant plus de 1 minute risque d'engendrer une perte définitive de l'audition.
Concerts de rock (variant)	110 -140	Le seuil de douleur commence à environ 125 dB.

*Les renseignements du tableau sont tirés du site http://www.nidcd.nih.gov/health/education/teachers/pages/common_sounds.aspx

« une personne ordinaire peut écouter en toute sécurité son iPod® pendant 4,6 heures par jour à un volume de 70 %. »

« il est extrêmement important de savoir le niveau sonore auquel vous écoutez de la musique, ainsi que la durée de votre écoute... »

Tiré du site <http://www.cbc.ca/health/story/2006/10/19/music-earphones.html>

Tirez le maximum de votre équipement et profitez d'excellentes performances audio, même à des niveaux sonores sécuritaires. Nos écouteurs vous permettront d'entendre plus de détails à des niveaux sonores plus inférieurs que jamais auparavant.

Utilisation responsable

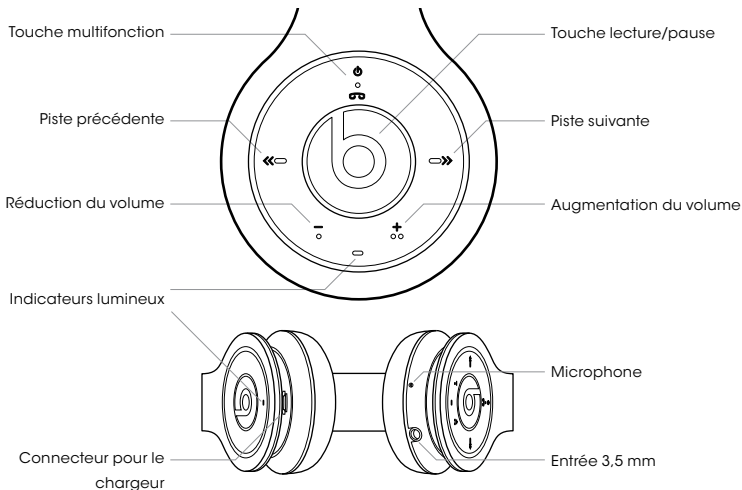
N'utilisez pas d'écouteurs lorsque ce n'est pas sécuritaire, par exemple, en conduisant un véhicule, en traversant la rue ou pendant des activités ou dans des environnements où vous devez porter attention à votre entourage.

Il est dangereux de conduire en portant des écouteurs et c'est illégal dans de nombreuses régions, puisque cela réduit vos chances d'entendre des sons qui pourraient vous sauver la vie, comme le klaxon d'un autre véhicule ou la sirène de véhicules d'urgence. Évitez de porter vos écouteurs en conduisant. Utilisez un transmetteur FM pour écouter le contenu de votre lecteur multimédia en voiture.

Pour connaître le niveau sonore d'écoute sécuritaire et d'autres lignes directrices importantes en matière de sécurité, visitez le site de la Consumer Electronics Association au www.ce.org et de la Deafness Research Foundation au www.drf.org.

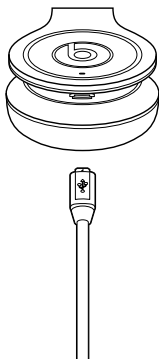
Numéros et pièces

Le casque d'écoute contient les pièces suivantes :



Avant d'utiliser le casque d'écoute, vous devez recharger la pile et jumeler le casque à un appareil compatible.

Chargement de la pile



Le casque d'écoute contient un câble micro USB qui peut être connecté à votre ordinateur ou à tout autre appareil permettant le chargement par port USB. Connectez l'extrémité micro USB du câble fourni dans le port micro USB du casque, situé sous l'oreillette gauche. Connectez l'autre extrémité du câble dans un port USB de votre ordinateur ou d'un appareil conçu pour le chargement USB. Le témoin s'allume en rouge pendant que le casque d'écoute se recharge. Une fois le casque complètement chargé, le témoin s'allume en vert. Le temps de chargement est de une heure si la pile est complètement vide. Une pile entièrement chargée peut alimenter le casque d'écoute jusqu'à 10 heures en mode conversation ou écoute de musique et jusqu'à 100 heures en mode veille.

Remarque :

Vous pouvez continuer d'écouter de la musique pendant que votre casque d'écoute se recharge.

Mise en garde :

(1) Veuillez porter attention aux indications environnementales pour l'élimination de la pile. La pile doit être recyclée ou être éliminée de manière appropriée. (2) Les piles (bloc-piles ou piles) installées ne doivent pas être exposées à une chaleur intense, comme la lumière directe du soleil, le feu, et d'autres sources de chaleur semblables.

Mise sous tension



Pour allumer le casque d'écoute, appuyez sur la touche multifonction et maintenez-la enfoncée pendant environ deux secondes.

Le casque d'écoute émettra des signaux sonores ascendants et le témoin bleu s'illuminera brièvement. Lorsque le casque d'écoute tente de se connecter au dernier téléphone ou lecteur multimédia utilisé, le témoin rouge clignote lentement. Lorsque le casque d'écoute est connecté à un appareil et qu'il est prêt à être utilisé, le témoin bleu clignote lentement. Si le casque d'écoute n'est associé à aucun appareil, il entre automatiquement en mode de jumelage.

Mise hors tension

Pour éteindre le casque d'écoute, appuyez sur la touche multifonction et maintenez-la enfoncée pendant environ trois secondes. Le casque d'écoute émettra des signaux sonores descendants et le témoin rouge s'illuminera brièvement. Si le casque d'écoute n'est pas connecté à un appareil dans les 10 minutes suivant sa mise sous tension, il s'éteint automatiquement.

Jumelage

1. Assurez-vous que votre téléphone ou lecteur multimédia est allumé.
2. Pour jumeler le casque d'écoute à un premier appareil, allumez le casque d'écoute. Le casque d'écoute entre en mode de jumelage, puis le témoin bleu et le témoin rouge clignotent rapidement. Pour jumeler le casque d'écoute à un nouvel appareil, assurez-vous que le casque d'écoute est éteint, puis appuyez sur la touche multifonction et maintenez-la enfoncée (pendant environ cinq secondes), jusqu'à ce que le témoin bleu et le témoin rouge clignotent rapidement.
3. Activez la fonction Bluetooth® de votre téléphone ou de votre lecteur multimédia, puis cherchez les appareils Bluetooth® à proximité.
4. Sélectionnez " Beats Wireless™" dans la liste des appareils découverts sur votre téléphone ou votre lecteur multimédia.
5. S'il est demandé, entrez le code 0000 pour jumeler et connecter le casque d'écoute à votre appareil.

Ajustement du volume

Pour ajuster le volume du casque d'écoute, appuyez sur la touche d'augmentation ou de réduction du volume pendant un appel ou pendant que vous écoutez de la musique. Pour ajuster rapidement le volume, appuyez sur l'une ou l'autre des touches de volume et maintenez-la enfoncée.

Mise en garde

Des pressions sonores excessives dans les écouteurs et les casques d'écoute peuvent causer des pertes auditives.

Spécifications

Le casque d'écoute Wireless™ de Beat peut passer et recevoir des appels en mode mains libres avec votre téléphone cellulaire compatible et vous pouvez l'utiliser pour écouter de la musique à partir d'un lecteur multimédia compatible. Les deux appareils devraient être à une distance maximale de 10 mètres (33 pieds) l'un de l'autre.

Le casque d'écoute est conforme à la spécification Bluetooth® 2.1 + EDR et prend en charge les profils suivants : profil casque (HSP) V 1.2; profil mains libres (HFP) V 1.5; profil de distribution audio avancé (A2DP) V 1.0 et profil de commande audio-vidéo à distance (AVRCP) V 1.0. Alimentation de 5 Vc.c., 0,5 A.

Appels

Pour passer un appel, utilisez votre téléphone cellulaire normalement quand le casque d'écoute y est connecté. Pour activer la fonction de composition vocale (si votre téléphone prend en charge cette fonction avec le casque d'écoute), quand il n'y a pas d'appel en cours, appuyez deux fois sur la touche multifonction jusqu'à ce que le téléphone active la composition vocale, puis suivez les instructions du guide de l'utilisateur de votre téléphone. Pour répondre à un appel ou pour raccrocher, appuyez rapidement sur la touche multifonction.

Pour refuser un appel, appuyez sur la touche multifonction et maintenez-la enfoncée pendant environ deux secondes. Pour mettre le microphone en sourdine ou pour réactiver le microphone pendant un appel, appuyez sur la touche de Lecture/Pause. Pour faire passer un appel (en cours) du casque d'écoute au téléphone connecté, appuyez sur la touche multifonction et maintenez-la enfoncée pendant environ deux secondes. Pour faire passer un appel (en cours) du téléphone au casque d'écoute, appuyez sur la touche multifonction et maintenez-la enfoncée pendant environ deux secondes.

Déconnexion du casque d'écoute

Pour déconnecter le casque d'écoute de votre appareil, éteignez le casque d'écoute ou déconnectez-le à partir du menu Bluetooth® de votre appareil.

Reconnexion du casque d'écoute

Pour connecter le casque d'écoute au téléphone ou au lecteur multimédia utilisé précédemment, allumez le casque d'écoute ou connectez-le à l'appareil à partir du menu Bluetooth® de votre appareil.

Écoute de musique

Pour écouter de la musique, connectez le casque d'écoute à un lecteur multimédia compatible qui prend en charge le profil Bluetooth® A2DP. Les fonctions de lecture musicales accessibles dépendent de votre lecteur. Si vous recevez ou passez un appel pendant que vous écoutez de la musique, la musique sera interrompue jusqu'à ce que vous mettiez fin à votre appel. Pour lire une chanson, sélectionnez-la dans le lecteur de musique et appuyez sur la touche de Lecture/Pause du casque d'écoute Wireless™ de Beats. Pour interrompre ou reprendre la lecture d'une chanson, appuyez sur la touche de Lecture/Pause. Pour sélectionner la chanson suivante, appuyez rapidement sur la touche de piste suivante. Pour retourner à la piste précédente, appuyez rapidement (une fois ou deux) sur la touche de piste précédente. Pour avancer ou reculer rapidement dans la piste en cours de lecture, appuyez sur l'une ou l'autre des touches et maintenez-la enfoncée.

Réinitialisation des paramètres

Pour réinitialiser les paramètres de jumelage du casque d'écoute, éteignez le casque d'écoute, puis appuyez simultanément sur la touche multifonction et sur la touche de réduction du volume et maintenez-les enfoncées (pendant plus de huit secondes), jusqu'à ce que le témoin rouge et le témoin bleu s'illuminent en alternance trois fois. Pour réinitialiser le casque d'écoute, connectez le casque à un chargeur et appuyez sur la touche multifonction et sur la touche d'augmentation du volume.

Mode passif

Vous pouvez utiliser le casque d'écoute Wireless™ de Beats comme casque d'écoute filaire pour économiser la pile. Connectez simplement une extrémité du câble CTU (inclus) dans la partie inférieure de l'oreillette et l'autre extrémité dans votre lecteur MP3. L'insertion d'un câble audio désactive la fonction sans fil.

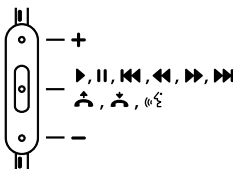
Utilisation du microphone de la télécommande

Le casque d'écoute Wireless™ de Beats est équipé d'un câble avec télécommande et microphone intégrés qui vous permettent de passer des appels en mode mains libres lorsqu'aucune connexion Bluetooth® n'est accessible. Certaines fonctionnalités peuvent varier selon le modèle de téléphone utilisé. Veuillez consulter le manuel de l'utilisateur de votre téléphone.

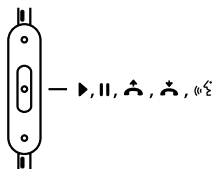
Fonctions de la télécommande :

- Lecture ▶
- Pause II
- Chanson suivante/ précédente ▶▶ ◀◀
- Avance rapide/ retour en arrière ▶▶▶▶ ◀◀◀◀
- Répondre 📞
- Raccrocher 📞
- Commande vocale 🗣️
- Contrôle de volume + -

iPod®, iPhone® & iPad®



HTC, Blackberry & Android



Remarque : Ces fonctionnalités varient selon l'appareil que vous utilisez.

Pour lire ou interrompre la lecture d'une chanson ou d'une vidéo : Appuyez sur le bouton central de la télécommande, puis relâchez-le. Appuyez à nouveau sur le bouton central de la télécommande pour reprendre la lecture.

Pour sauter une chanson ou une vidéo ou revenir à la chanson ou à la vidéo précédente : Appuyez deux fois sur le bouton central de la télécommande pour sauter à la chanson ou à la vidéo suivante. Appuyez trois fois sur le bouton central de la télécommande pour revenir à la chanson ou à la vidéo précédente.

Pour avancer ou reculer rapidement dans une chanson ou une vidéo en cours de lecture : Appuyez rapidement deux fois sur le bouton central de la télécommande et maintenez le bouton enfoncé la deuxième fois pour avancer rapidement. Relâchez le bouton pour arrêter le balayage. Appuyez rapidement trois fois sur le bouton central de la télécommande et maintenez le bouton enfoncé la troisième fois pour reculer rapidement.

Pour répondre à un appel ou raccrocher : Appuyez sur le bouton central de la télécommande une fois et relâchez-le pour répondre. Répétez la procédure pour raccrocher.

Pour refuser un appel entrant : Appuyez sur le bouton central de la télécommande et maintenez-le enfoncé pendant deux secondes, puis relâchez-le. Vous entendrez deux signaux sonores pour vous indiquer que l'appel a été refusé.

Commande vocale : Appuyez sur le bouton central de la télécommande et maintenez-le enfoncé jusqu'à ce que la fonction de commande vocale s'active. Cette fonctionnalité varie selon l'appareil que vous utilisez.

Contrôle de volume : Appuyez sur le bouton du haut de la télécommande pour augmenter le volume. Appuyez sur le bouton du bas de la télécommande pour réduire le volume. Cette fonctionnalité varie selon l'appareil que vous utilisez.

Mise en garde de la CFC

CFC ID : COW81000012

Cet appareil est conforme à la partie 15 du règlement de la CFC. L'utilisation est assujettie aux deux conditions suivantes : (1) Cet appareil ne doit pas causer d'interférence nuisible et (2) Cet appareil doit accepter toute interférence reçue, y compris les interférences qui peuvent causer un fonctionnement indésirable. Les modifications ou changements non approuvés par la partie responsable de la conformité de l'appareil pourraient annuler l'autorisation d'utilisation de l'équipement. La connexion de périphériques nécessite l'utilisation de câbles blindés mis à la terre. La prise électrique doit être située près de l'équipement et doit être facilement accessible.

Remarque

Cet équipement a été mis à l'essai et trouvé conforme aux limites des appareils numériques de classe B, conformément à la partie 15 du règlement de la CFC. Ces limites sont conçues pour offrir une protection raisonnable contre une interférence nuisible dans une installation résidentielle. Cet équipement génère, utilise et peut irradier des fréquences radio et, s'il n'est pas installé et utilisé conformément aux instructions, peut causer une interférence nuisible aux communications radio. Toutefois, il n'y a aucune garantie qu'aucune interférence ne se produira dans une installation en particulier. Si cet équipement cause une interférence nuisible à la réception radio ou télévisée, ce qui peut être déterminé en éteignant puis en rallumant l'appareil, nous encourageons l'utilisateur à tenter de corriger l'interférence en appliquant une ou plusieurs des mesures suivantes :

- Réorienter ou repositionner l'antenne de réception.
- Augmenter la distance entre l'équipement et le récepteur.
- Connecter l'équipement à une prise sur un circuit différent de celui auquel le récepteur est connecté.
- Consulter le distributeur ou un technicien radio/télévision expérimenté.

Mise en garde

Les modifications ou changements non approuvés par la partie responsable de la conformité de l'appareil pourraient annuler l'autorisation d'utilisation de l'équipement.

Évitez d'entreposer cet appareil dans des conditions de chaleur ou de froid extrême. Évitez d'exposer cet appareil à des liquides, à des températures extrêmes et à un taux d'humidité élevé. La gamme de température de fonctionnement du produit est de 0 à 45 °C (32 à 113 °F).

Déclaration du Canada

Le présent appareil est conforme aux CNR d'Industrie Canada applicables aux appareils radio RSS-210. L'exploitation est autorisée aux deux conditions suivantes : (1) l'appareil ne doit pas produire de brouillage, et (2) l'utilisateur de l'appareil doit accepter tout brouillage radioélectrique subi, même si le brouillage est susceptible d'en compromettre le fonctionnement.

Le dispositif rencontre l'exemption des limites courantes d'évaluation dans la section 2.5 de RSS 102 et la conformité à l'exposition de RSS-102 rf, utilisateurs peut obtenir l'information canadienne sur l'exposition et la conformité de rf.

Enregistrez vos écouteurs Beats® dès aujourd'hui

www.beatsbydre.com/register

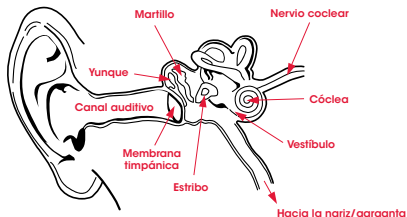


Información importante sobre seguridad

Escuche de manera responsable

Para evitar el daño a sus oídos, asegúrese de bajar el volumen de su reproductor de música antes de conectar los auriculares. Luego de colocar los auriculares en sus oídos, suba el volumen gradualmente hasta que alcance un nivel de audición adecuado. Los niveles de ruido se miden en decibeles (dB), la exposición a cualquier ruido igual o mayor a los 85 dB puede causar la pérdida gradual de la audición. Controle su uso; la pérdida de la audición es una función de volumen versus tiempo. Mientras más alto sea el volumen, menor es el tiempo que usted puede exponerse a él. Mientras más bajo sea el volumen, mayor es el tiempo que usted puede escuchar su música.

Fisiología del oído



En este cuadro de decibeles (dB) se compara algunos sonidos comunes y se muestra la clasificación según el daño potencial que sufre la audición.

SONIDO	NIVEL DE RUIDO (dB)	EFEECTO
Murmullo	30	Muy silencioso
Oficina silenciosa	50-60	Los niveles de audición cómodos están por debajo de los 60 dB
Aspiradora, secadora de cabello	70	Invasor; interfiere en conversaciones telefónicas
Licuadaora	85-90	La audición comienza a dañarse a los 85 dB (8 h)
Camión de la basura y hormigonera	100	No se recomienda exponerse sin protección a niveles de sonido de 90 a 100 dB durante más de 15 minutos
Sierra eléctrica, taladro y martillo neumático	110	La exposición regular a un nivel de sonido superior a 100 dB durante más de 1 minuto puede ocasionar una pérdida permanente de audición
Conciertos de rock (varía)	110-140	El umbral de dolor comienza a sentirse alrededor de los 125 dB

*La información del cuadro se obtuvo de http://www.nidcd.nih.gov/health/education/teachers/pages/common_sounds.aspx

"... una persona normal puede escuchar música de un iPod® de manera segura durante 4,6 horas al día con el volumen subido al 70%".

"... conocer los niveles a los que uno escucha música y durante cuánto tiempo es muy importante".

De <http://www.cbc.ca/health/story/2006/10/19/music-earphones.html>

Obtenga el mayor beneficio de su equipo y disfrute un excelente rendimiento de audio aun a niveles seguros. Nuestros auriculares le permitirán oír más detalles a niveles de volumen más bajos que antes.

Uso responsable

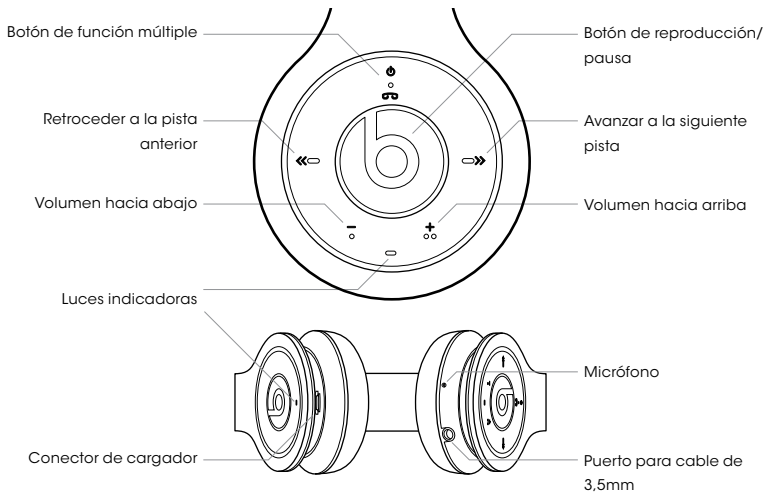
No use los auriculares cuando no sea seguro hacerlo, como al operar un vehículo, cruzar las calles o durante una actividad o en un ambiente donde se requiera que preste atención completa a su alrededor.

Es peligroso conducir usando auriculares, y en muchos lugares, es ilegal porque disminuye sus opciones de escuchar sonidos fuera de su vehículo que pueden salvarle la vida, como la bocina de otro auto y las sirenas de vehículo de emergencia. Por favor evite usar sus auriculares mientras conduce. En lugar de eso, use un transmisor FM para escuchar sus dispositivos de medios móviles.

Aprenda más sobre cómo establecer un nivel de audición seguro y revise otras guías de seguridad importantes de la Asociación de Consumidores de Electrónicos en www.ce.org y la Fundación para la Investigación de la Sordera en www.drf.org.

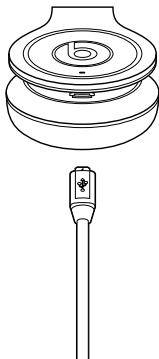
Botones y Partes

El auricular contiene las siguientes partes:



Antes de usar el auricular, debe cargar la batería y el par de auriculares con un dispositivo compatible.

Cargue la batería



Los auriculares contienen un cable de Micro USB que puede conectarse a su computadora u otro dispositivo preparado para carga USB. Enchufe el extremo del cable Micro USB incluido en el conector de cargador de puerto micro USB bajo el audífono izquierdo del auricular. Enchufe el otro extremo en el puerto USB en su computadora u otros dispositivos hechos para carga de USB. La luz indicadora estará en rojo mientras se carga. Una vez que se carga totalmente, la luz indicadora será un verde fijo. El tiempo de carga es una hora en una batería vacía. La batería totalmente cargada tiene potencia de hasta 10 horas de tiempo de habla y/o música y hasta 100 horas de tiempo inactivo.

Nota:

Todavía puede disfrutar de su música mientras carga su auricular.

Advertencia:

(1) Preste atención a los aspectos ambientales del desecho de baterías. Las baterías deben reciclarse o eliminarse de forma adecuada. (2) Las baterías (paquete de batería o baterías instaladas) no deben exponerse a un calor excesivo, como luz solar, fuego o similares.

Encendido



Para encender, presione sin soltar el botón de función múltiple durante dos segundos.

El auricular emite un pitido de tonos ascendentes y se visualiza brevemente la luz indicadora azul. Cuando el auricular intenta conectarse al último teléfono o reproductor de música utilizado, la luz indicadora roja parpadea lentamente. Cuando el auricular está conectado a un dispositivo y está listo para utilizarse, la luz indicadora azul parpadea lentamente. Si el auricular no está conectado con el dispositivo, ingresa automáticamente al modo conectar.

Apagar

Para apagar, presione sin soltar el botón de función múltiple durante tres segundos aproximadamente. El auricular emite un pitido de tonos descendentes y se visualiza brevemente la luz indicadora roja. Si el auricular no está conectado a un dispositivo dentro de los 10 minutos, se apaga en forma automática.

Conexión

1. Asegúrese de encender su teléfono o reproductor de música.
2. Para conectar el auricular, si no ha sido conectado previamente con un dispositivo, encienda el auricular. El auricular ingresa a modo conectar y la luz indicadora azul y roja empieza a parpadear rápidamente. Para conectar el auricular si ha estado conectado previamente con otro dispositivo, asegúrese que el auricular esté apagado y presione sin soltar el botón de función múltiple (durante aproximadamente 5 segundos) hasta que la luz indicadora azul y roja empiece a parpadear en forma rápida.
3. Active la función de Bluetooth® en su teléfono o reproductor de música y configúrela para buscar los dispositivos de Bluetooth®.
4. Seleccione "Beats Inalámbrico" de la lista de dispositivos encontrados en su teléfono o reproductor de música.
5. Si es necesario, ingrese el código de contraseña 0000 para realizar la conexión y conectar el auricular a su dispositivo.

Ajuste el volumen

Para ajustar el volumen del auricular, presione el botón del volumen hacia arriba o hacia abajo durante una llamada o mientras escucha música. Para ajustar el volumen rápidamente, presione sin soltar el botón.

Advertencia

La presión excesiva del sonido de los audífonos y auriculares puede ocasionar pérdida de audición.

Especificaciones

Beats Wireless™ puede recibir y realizar llamadas de manos libres con su teléfono móvil compatible y escuchar música de un reproductor de música compatible, pero deben encontrarse dentro de los 10 metros (33 pies) uno de otro.

El auricular cumple con la Especificación Bluetooth® 2.1 + EDR y respalda los siguientes perfiles: Perfil de auricular (HSP) V 1.2, Perfil manos libres (HFP) V 1.5, Perfil de distribución de audio avanzada (A2DP) V 1.0 y Perfil de control remoto de audio video (AVRCP) V 1.0. Clasificación de entrada 5V CC, 0,5A.

Llamadas

Para realizar una llamada, use su teléfono móvil de manera normal cuando el auricular esté conectado. Para activar la marcación activada por voz (si su teléfono sostiene esta función con el auricular), cuando no hay ninguna llamada en proceso, presione el botón de función múltiple dos veces rápidamente hasta que el teléfono comience la marcación activada por voz y procese, según se describe en la guía de usuario de teléfono. Para responder o finalizar una llamada, presione rápidamente el botón de función múltiple.

Para rechazar una llamada, presione sin soltar el botón de función múltiple durante aproximadamente dos segundos. Para silenciar o no silenciar el micrófono durante una llamada, presione el botón de reproducción/pausa. Para cambiar una llamada (en curso) del auricular al teléfono conectado, presione sin soltar el botón de función múltiple durante aproximadamente dos segundos. Para cambiar una llamada (en curso) del teléfono al auricular, presione sin soltar el botón de función múltiple durante aproximadamente dos segundos.

Desconecte los auriculares

Para desconectar el auricular de su dispositivo, apague el auricular o desconéctelo del menú de Bluetooth® de su dispositivo.

Vuelva a conectar el auricular

Para conectar el auricular al teléfono o reproductor de música que usó por última vez, encienda el auricular o realice la conexión en el menú de Bluetooth® de su dispositivo.

Escuche música

Para escuchar música, conecte el auricular al reproductor de música compatible que soporta el perfil A2DP Bluetooth®. Las funciones de música disponibles dependen de su reproductor de música. Si recibe o realiza una llamada mientras escucha música, la música queda en pausa hasta que finaliza la llamada. Par reproducir una canción, seleccione en el reproductor de música y presione el botón Reproducir/Pausar en el auricular inalámbrico Beats®. Para pausar o reanudar la reproducción de una canción, presione el botón de reproducción o pausa. Para seleccionar la siguiente canción durante una reproducción, presione rápidamente el botón avanzar a la siguiente pista. Para seleccionar la canción anterior, presione rápidamente el botón retroceder a la pista anterior (una o dos veces). Para desplazarse a lo largo de la canción actual rápidamente, presione sin soltar el botón.

Despeje las configuraciones o restaure

Para despejar las configuraciones de conexión del auricular, apague el auricular y presione sin soltar los botones para bajar volumen y de función múltiple (durante más de ocho segundos) hasta que las luces indicadoras rojas y azules se alternen tres veces. Para restablecer el auricular, conéctelo a un cargador y presione las teclas para subir volumen y de función múltiple.

Modo Pasivo

Puede utilizar Beats Wireless™ como un auricular con cable para ahorrar baterías. Sólo conecte un extremo del cable CTU incluido en la parte inferior del audífono y el otro a su reproductor MP3. Si inserta un cable de audio se desactiva la funcionalidad inalámbrica.

Uso del micrófono remoto

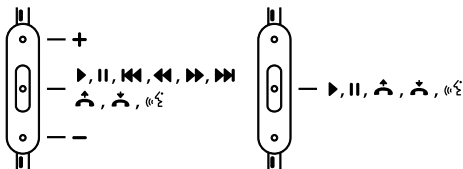
Beats Wireless™ se presenta equipado con un cable de micrófono remoto cómodo que le permite tomar llamadas y manos libres cuando la conectividad de Bluetooth® no está accesible. Algunas funcionalidades variarán según el modelo del teléfono. Consulte su manual de propietario de teléfono.

Las funciones incluyen:

- Reproducir ▶
- Pausa ||
- Saltar adelante/atrás ►► ◀◀
- Buscar hacia adelante/atrás ►►◀◀
- Responder 📞
- Finalizar llamada 📞
- Marcación por voz 📞☎
- Control de volumen + -

iPod®, iPhone® & iPad®

HTC, Blackberry & Android



Nota: La funcionalidad puede variar según el dispositivo.

Reproducir o detener una canción o video: Presione y suelte el botón central. Repita para continuar.

Saltar pista o retroceder a la siguiente canción o video: Presione y suelte el botón central dos veces rápidamente para saltar hacia adelante. Presione y suelte el botón central tres veces rápidamente para saltar hacia atrás.

Buscar hacia adelante o hacia atrás una canción o video: Presione el botón central dos veces rápidamente y no lo suelte la segunda vez que lo haga para buscar hacia adelante. Suéltelo cuando desee detener la búsqueda. Para buscar hacia atrás, presione el botón central tres veces y no lo suelte la tercera vez que lo haga.

Responder o finalizar una llamada: Presione y suelte el botón central una vez para responder. Repítalo al final de la llamada.

Rechazar una llamada entrante: Presione el botón central por dos segundos, luego suelte. Se escuchará dos tonos cuando suelte el botón para indicar que la operación fue exitosa.

Marcación por voz: Presione el botón central sin soltar hasta que inicie la activación de voz. La funcionalidad variará según el dispositivo.

Control de volumen: Presione el botón en la parte superior para aumentar el volumen. Presione el botón en la parte inferior para disminuir el volumen. La funcionalidad puede variar según el dispositivo.

Advertencia de FCC

IDENTIFICACIÓN FCC: COW81000012

Este dispositivo cumple con la Parte 15 de las Normas FCC. El funcionamiento está sujeto a las dos condiciones siguientes: (1) Este dispositivo no puede causar interferencia perjudicial, y (2) Este dispositivo debe aceptar cualquier interferencia recibida, inclusive interferencia que pueda causar un funcionamiento no deseado. Los cambios o las modificaciones no aprobadas expresamente por la parte responsable para el cumplimiento pueden anular la autoridad del usuario de poner el equipo en funcionamiento. La conexión de periféricos requiere el uso de cables de señal a tierra blindados. El tomacorriente debe instalarse cerca del equipo y debe ser fácilmente accesible.

Nota

Este equipo ha sido probado y cumple con los límites para un dispositivo digital de Clase B, según la parte 15 de las normas FCC. Estos límites están diseñados para ofrecer una protección razonable contra la interferencia dañina en una instalación residencial. Este equipo genera, usa y puede irradiar energía de radio frecuencia y, si no está instalado y utilizado conforme a las instrucciones, puede ocasionar interferencia dañina a las comunicaciones de radio. No obstante, no hay garantía de que no pueda ocurrir interferencia en una instalación en especial. Si este equipo no ocasiona una interferencia dañina a la recepción de radio o televisión, que puede

determinarse al encender o apagar el equipo, se alienta al usuario a intentar corregir la interferencia mediante una o más de las siguientes medidas:

- Reorientar o reubicar la antena de recepción.
- Aumentar la separación entre el equipo y el receptor.
- Conectar el equipo en un tomacorriente en un circuito diferente a donde está conectado el receptor.
- Consulte al agente o a un técnico experto de radio/televisión para solicitar ayuda.

Precaución

Los cambios o las modificaciones no aprobadas expresamente por la parte responsable para el cumplimiento pueden anular la autoridad del usuario o la de usted para poder tener el equipo en funcionamiento.

Evite el almacenamiento en frío o calor extremo. Evite exposición a líquidos, temperaturas extremas y alta humedad. El rango de temperatura de funcionamiento del producto es 0–45 °C (32–113 °F).

Registre sus Beats® hoy

www.beatsbydre.com/register

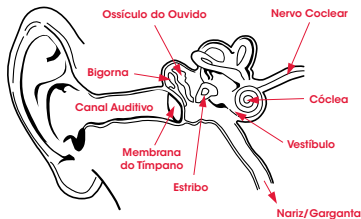


Informações Importantes de Segurança

Ouça com Responsabilidade

Para evitar danos à audição, certifique-se de que o volume em seu leitor de música esteja desligado antes de conectar seu fone de ouvido. Depois de posicionar seu fone de ouvido corretamente, aumente o volume gradualmente até atingir um nível confortável. Os níveis de ruído são medidos em decibéis (dB), a exposição a qualquer ruído a 85 dB ou acima disso pode causar perda auditiva gradual. Monitore o seu uso; a perda auditiva é resultado do barulho em virtude do tempo. Quanto mais ruído, menor o tempo de exposição ao qual você pode ficar submetido. Quanto menos ruído, maior o tempo de exposição ao qual você pode ficar submetido.

Fisiologia do Ouvido



Português

Esta tabela de decibéis (dB) compara alguns ruídos comuns e mostra suas classificações em relação a possíveis danos à audição.

SOM	NÍVEL DE RÚIDO (dB)	EFEITO
Sussurro	30	Muito silencioso
Escritório em Silêncio	50-60	Os níveis confortáveis de audição estão abaixo de 60 dB
Aspirador de Pó, Secador de Cabelo	70	Intrusivo; interfere em conversas ao telefone
Liquidificador	85-90	Os danos à audição (8h) ocorrem a partir do nível de 85 dB
Caminhão de Lixo, Betoneira	100	Não se recomenda mais de 15 minutos de exposição sem proteção para ruídos entre 90 e 100 dB
Serra Elétrica, Broca/Britadeira	110	A exposição regular a ruídos acima de 100 dB por mais de 1 minuto pode causar perda permanente da audição
Shows de Rock (varia)	110-140	O limiar da dor começa em aproximadamente 125 dB

*Informações da tabela em http://www.nidcd.nih.gov/health/education/teachers/pages/common_sounds.aspx

"... uma pessoa normal pode ouvir a um iPod® de modo seguro por 4,6 horas por dia em volume a 70%."

"... saber os níveis que podem ser atingidos ao ouvir música e por quanto tempo é extremamente importante."

Fonte <http://www.cbc.ca/health/story/2006/10/19/music-earphones.html>

Aproveite ao máximo seu equipamento e desfrute do excelente desempenho de áudio mesmo em níveis seguros. Nossos fones de ouvido permitirão que ouça mais claramente como nunca em níveis mais baixos de volume.

Utilize com Responsabilidade

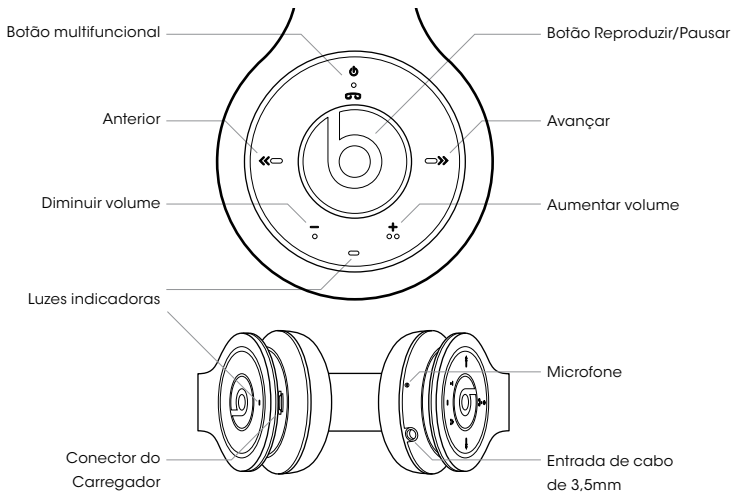
Não utilize fones de ouvido quando não for seguro—enquanto estiver dirigindo um veículo, atravessando ruas ou durante qualquer atividade ou em um ambiente onde for necessária a sua total atenção.

É perigoso dirigir utilizando fones de ouvido e, em muitos lugares, ilegal, porque ele diminui suas chances de ouvir sons fora do seu veículo que podem salvar vidas, como a buzina de outro carro e sirenes de veículos de emergência. Evite a utilização de seu fone de ouvido enquanto estiver dirigindo. Em vez disso, utilize transmissor FM em seus dispositivos de mídia móveis.

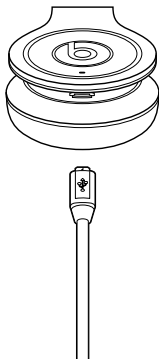
Aprenda como estabelecer um nível seguro de volume e veja outras orientações importantes de segurança da Consumer Electronics Association [Associação dos Consumidores de Produtos Eletrônicos] em www.ce.org e da Deafness Research Foundation [Fundação de Pesquisa sobre a Surdez] em www.drf.org.

Botões e Componentes

O fone de ouvido contém os seguintes componentes:



Antes de utilizar o fone de ouvido, é necessário carregar a bateria e conectar o fone a um dispositivo compatível.



Carregar a Bateria

O fone de ouvido contém um cabo USB Micro que pode ser conectado ao seu computador ou a outro dispositivo para carregamento via USB. Conecte a extremidade do USB Micro do cabo USB incluso ao conector de entrada do carregador USB micro abaixo do auscultador do fone de ouvido. Conecte a outra extremidade a uma porta USB em seu computador ou em outro dispositivo fabricado para carregamento via USB. A luz indicadora ficará vermelha enquanto estiver sendo carregado. Assim que estiver carregado, a luz indicadora ficará verde. O tempo de carregamento é de uma hora em bateria descarregada. A bateria totalmente carregada tem energia para até 10 horas conversando e/ou ouvindo música e até 100 horas em standby.

Observação:

É possível ouvir música enquanto carrega seu fone de ouvido.

Alerta:

(1) Preste atenção aos aspectos ambientais de descarte de bateria. A bateria deve ser reciclada ou descartada adequadamente. (2) As baterias (baterias ou pilhas) não devem ser expostas a calor excessivo, como ao sol, fogo ou similares.

Ligar



Para ligar, pressione e segure o botão multifuncional por aproximadamente dois segundos.

O fone de ouvido bipa em tons ascendentes e uma luz indicadora azul é brevemente exibida. Quando o fone de ouvido tenta se conectar ao último telefone ou leitor de música utilizado, a luz indicadora vermelha pisca lentamente. Quando o fone de ouvido é conectado a um dispositivo e está pronto para uso, a luz indicadora azul pisca lentamente. Se o fone de ouvido não foi emparelhado a um dispositivo, automaticamente entra no modo de emparelhamento.

Desligar

Para desligar, pressione e segure o botão multifuncional por aproximadamente três segundos. O fone de ouvido bipa em tons descendentes, e uma luz indicadora vermelha é brevemente exibida. Se o fone de ouvido não for conectado a um dispositivo em 10 minutos, ele desliga automaticamente.

Emparelhamento

1. Certifique-se de que seu telefone ou leitor de música esteja ligado.
2. Para emparelhar o fone de ouvido, caso não tenha sido anteriormente emparelhado a um dispositivo, ligue-o. O fone entra no modo de emparelhamento e a luz indicadora azul e vermelha começa a piscar rapidamente. Para emparelhar o fone, caso já tenha sido emparelhado a outro dispositivo, ele deve estar desligado; pressione e segure o botão multifuncional (por aproximadamente cinco segundos) até que a luz indicadora azul e vermelha comece a piscar rapidamente.
3. Ative o recurso Bluetooth® em seu telefone ou leitor de música e configure-o para buscar por dispositivos Bluetooth®.
4. Selecione "Beats Wireless™" na lista de dispositivos encontrados em seu telefone ou leitor de música.
5. Caso necessário, insira o código de acesso 0000 para emparelhar e conectar o fone de ouvido ao seu dispositivo.

Ajustar o Volume

Para ajustar o volume do fone, pressione o botão aumentar ou diminuir volume durante uma chamada ou enquanto estiver ouvindo música. Para ajustar o volume rapidamente, pressione e segure algum desses botões.

Alerta

O volume excessivo dos fones de ouvido pode causar danos auditivos.

Especificações

O Beats Wireless™ pode fazer e receber chamadas sem você precisar das mãos com o seu celular compatível e você pode ouvir música a partir de um leitor de música compatível, mas eles devem estar a 10 metros do outro.

O fone de ouvido está em conformidade com a Especificação 2.1 Bluetooth® + EDR suportam os seguintes perfis: Headset Profile (HSP) V 1.2, Hands-Free Profile (HFP) V 1.5, Advanced Audio Distribution Profile (A2DP) V 1.0 e Audio Video Remote Control Profile (AVRCP) V 1.0. Capacidade nominal 5V CD, 0,5A.

Chamadas

Para fazer uma chamada, use seu celular normalmente quando o fone estiver conectado a ele. Para ativar a discagem por voz (se o seu telefone suporta esse recurso com o fone de ouvido), quando não houver chamada em andamento, pressione o botão multifuncional, duas vezes e rapidamente, até o telefone iniciar a discagem por voz, e continue conforme descrito no guia de usuário do telefone. Para atender ou encerrar uma chamada, pressione rapidamente o botão multifuncional.

Para rejeitar uma chamada, pressione e segure o botão multifuncional por aproximadamente dois segundos. Para deixar no modo mudo ou desativar esse modo durante uma chamada, pressione o botão reproduzir/pausar. Para alternar uma chamada (em andamento) do fone de ouvido para o telefone conectado, pressione e segure o botão multifuncional durante cerca de dois segundos. Para alternar uma chamada (em andamento) do telefone para o fone de ouvido, pressione e segure o botão multifuncional durante cerca de dois segundos.

Desconectar o Fone de Ouvido

Para desconectar o fone de ouvido de seu dispositivo, desligue o fone ou desconecte-o no menu Bluetooth® do seu dispositivo.

Reconectar o Fone de Ouvido

Para conectar o fone de ouvido ao telefone ou ao leitor de música que você tenha usado pela última vez com ele, ligue o fone de ouvido ou faça a conexão no menu Bluetooth® do seu dispositivo.

Ouvir Música

Para ouvir música, conecte o fone de ouvido ao leitor de música compatível que suporte o perfil de Bluetooth® A2DP. As funções disponíveis de música dependem de seu leitor. Caso receba uma chamada enquanto estiver ouvindo música, esta será pausada até que a chamada seja encerrada. Para reproduzir uma música, selecione-a no leitor e pressione o botão Reproduzir/Pausar no fone Beats Wireless™. Para pausar ou continuar reproduzindo uma música, pressione o botão Reproduzir/Pausar. Para selecionar a próxima música durante a reprodução, pressione rapidamente o botão avançar. Para selecionar a música anterior, pressione rapidamente o botão anterior (uma ou duas vezes). Para avançar ao longo da música atual, pressione e segure um dos dois botões.

Apagar Configurações ou Redefinir

Para limpar as configurações de emparelhamento do fone de ouvido, desligue-o e pressione e segure os botões multifuncional e diminuir volume (por mais de oito segundos), até que as luzes indicadoras vermelha e azul alternem três vezes. Para redefinir o fone de ouvido, conecte-o a um carregador e pressione os botões multifuncional e aumentar volume.

Modo Passivo

É possível utilizar o Beats Wireless™ com cabo para economizar bateria. Simplesmente conecte uma extremidade do cabo CTU incluído na parte inferior do auscultador e a outra ao leitor de MP3. Ao inserir o cabo de áudio, a funcionalidade wireless é desativada.

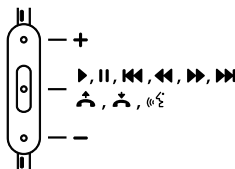
Utilização do Microfone Remoto

O Beats Wireless™ vem equipado com um cabo de microfone remoto conveniente que lhe permite receber chamadas e conversar sem utilizar as mãos quando a conectividade Bluetooth® não estiver acessível. Algumas funcionalidades podem variar dependendo do modelo do telefone. Consulte o manual de seu telefone.

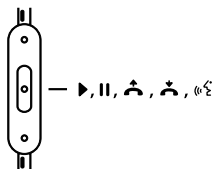
As funções incluem:

- Reproduzir ▶
- Pausar ||
- Saltar/
Retroceder ▶▶ ◀◀
- Avançar/
Voltar ▶▶ ◀◀
- Atender 📞
- Encerrar Chamada 📞
- Comando de Voz 🗣️
- Controle de Volume + -

iPod®, iPhone® e iPad®



HTC, Blackberry e Android



Observação: A funcionalidade varia de acordo com o dispositivo.

Reproduza ou pause uma música ou vídeo: Pressione e solte o botão central. Repita para continuar.

Pule a faixa para a próxima música ou vídeo ou volte para a faixa anterior: Pressione e solte, duas vezes e rapidamente, o botão central para pular para a próxima faixa. Pressione e solte, três vezes e rapidamente, para voltar para a faixa anterior.

Avance ou volte em uma música ou vídeo: Em um movimento rápido, pressione o botão central duas vezes, segure quando pressionar pela segunda vez para avançar. Solte quando quiser parar de avançar. Para voltar, pressione o botão central três vezes, segurando o botão quando pressionar pela terceira vez.

Atender ou finalizar uma chamada. Pressione e solte o botão central uma vez para atender. Repita para finalizar a chamada.

Recusar uma chamada: Pressione e segure o botão central por dois segundos, em seguida solte-o. Você ouvirá dois bipes ao soltar para indicar a operação com êxito.

Comando de Voz: Pressione e segure o botão central até a ativação de voz ser iniciada. A funcionalidade varia de acordo com o dispositivo.

Controle de Volume: Pressione o botão superior para aumentar o volume. Pressione o botão inferior para diminuir o volume. A funcionalidade varia de acordo com o dispositivo.

Alerta da FCC

ID FCC: COW8100012

Este dispositivo está em conformidade com a Parte 15 das Regras da FCC. A operação está sujeita às duas seguintes condições: (1) Este dispositivo não pode causar interferência prejudicial e (2) Este dispositivo deve aceitar qualquer interferência recebida, incluindo interferência que possa causar operação indesejada. Alterações ou modificações não expressamente aprovadas pela parte responsável pela Conformidade podem anular a autoridade do usuário em operar o equipamento. A conexão de periféricos requer o uso de cabos de sinal de aterramento blindados. A tomada deve estar instalada próxima ao equipamento e deve estar facilmente acessível.

Observação

Este equipamento foi testado e está em conformidade com os limites para um dispositivo digital Classe B, conforme a Parte 15 das Regras da FCC. Esses limites são definidos para oferecer proteção contra interferência prejudicial em uma residência. Este equipamento gera, utiliza e pode irradiar energia de radiofrequência e, se não estiver instalado e sendo utilizado de acordo com as instruções, pode causar interferência prejudicial às comunicações via rádio. No entanto, não há garantia de que a interferência não ocorrerá em uma instalação específica. Se este equipamento causar interferência prejudicial à recepção de rádio ou televisão, que pode ser observada ligando e desligando o equipamento, o usuário deve tentar corrigir a interferência por meio de uma ou mais das seguintes medidas:

Português

- Redirecionar ou reposicionar a antena de recepção.
- Aumentar a distância entre o equipamento e o receptor.
- Conectar o equipamento a uma tomada em um circuito diferente daquele ao qual o receptor está conectado.
- Consultar o revendedor ou um técnico de rádio/TV experiente para obter ajuda.

Atenção

Alterações ou modificações não expressamente aprovadas pela parte responsável pela conformidade podem anular a autoridade do usuário (ou sua) em operar o equipamento.

Evite guardá-lo em local extremamente quente ou frio. Evite a exposição a líquidos, temperaturas extremas e alta umidade. O produto funciona nas temperaturas 0–45°C (32–113°F).

Cadastre seu Beats® Hoje

www.beatsbydre.com/register

www.beatsbydre.com

 facebook.com/beatsbydre

 [twitter: @beatsbydre](https://twitter.com/beatsbydre)

Beats Electronics, LLC

1601 Cloverfield Blvd

Suite 5000N

Santa Monica

CA 90404

©2012 Beats Electronics LLC

beats by dr. dre.