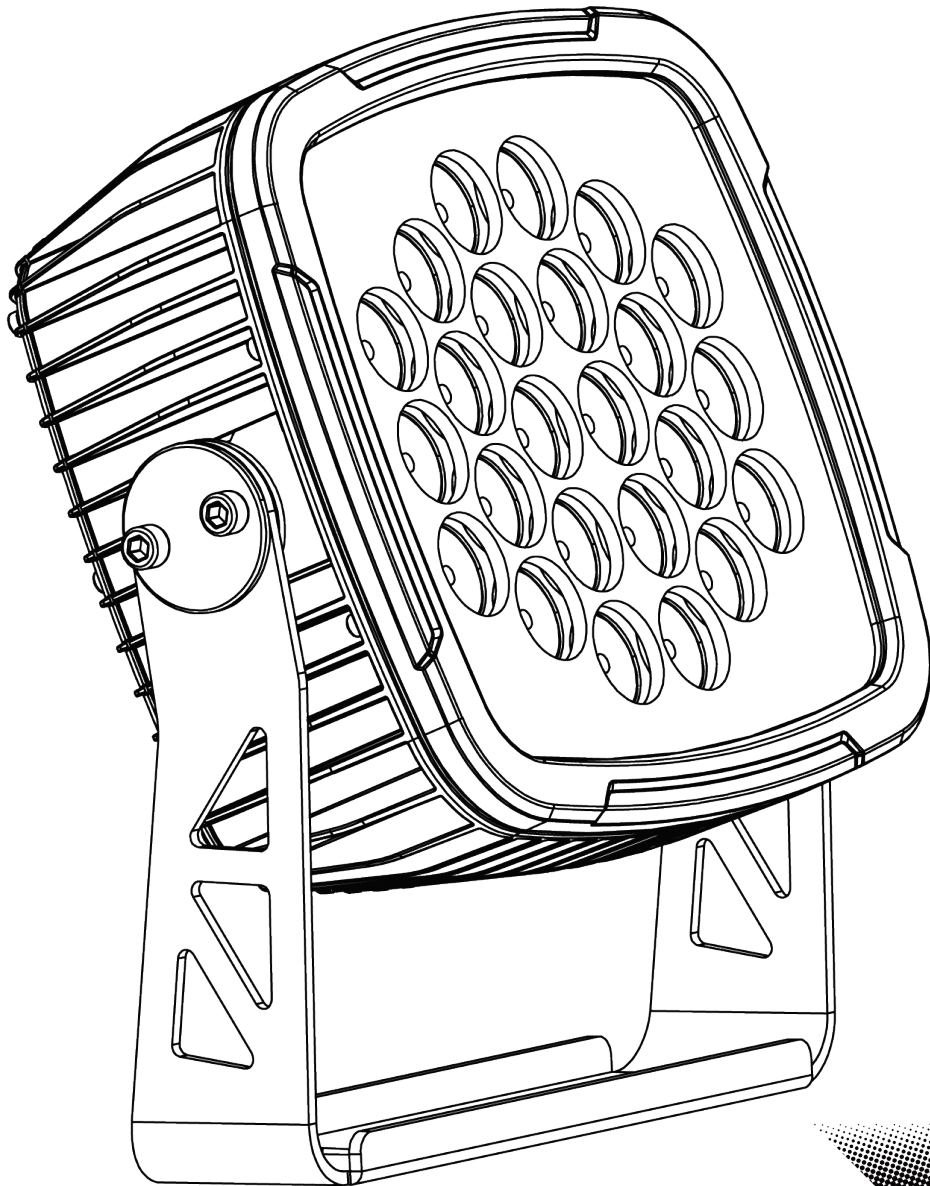


# Slim **PANEL**™ TRI **24 IP**

## User Manual



**CHAUVET**®  
*Value • Innovation • Performance*  
It's **Green** Thinking.™

---

# TABLE OF CONTENTS

<b>1. Before You Begin</b> .....	<b>3</b>
What Is Included .....	3
Unpacking Instructions .....	3
Claims .....	3
Text Conventions .....	3
Icons .....	3
Disclaimer .....	3
Product at a Glance .....	4
Safety Notes .....	4
<b>2. Introduction</b> .....	<b>5</b>
Product Overview .....	5
Product Dimensions .....	6
<b>3. Setup</b> .....	<b>7</b>
AC Power .....	7
Power Linking .....	7
Mounting .....	8
Orientation .....	8
Rigging .....	8
<b>4. Operation</b> .....	<b>9</b>
Control Panel Operation .....	9
Menu Map .....	9
Configuration (DMX) .....	10
DMX Personalities and Starting Address .....	10
DMX Channel Assignments and Values .....	11
3-CH .....	11
4-CH .....	11
5-CH .....	11
DMX Channel Assignments and Values (cont.) .....	12
9-CH .....	12
Configuration (Standalone) .....	13
Automatic Mode .....	13
Static Color Mode .....	13
Custom Static Color Mode .....	13
Dimmer Adjustment .....	13
Touch Control Panel Lock .....	14
Master/Slave Mode .....	14
<b>5. Technical Information</b> .....	<b>15</b>
Product Maintenance .....	15
<b>6. Technical Specifications</b> .....	<b>16</b>
Returns .....	17
Contact Us .....	17

# 1. BEFORE YOU BEGIN

## What Is Included

- SlimPANEL™ TRI 24 IP
- DMX In Adapter
- DMX Out Adapter
- Power Cord
- Warranty Card
- Quick Reference Guide

## Unpacking Instructions

Immediately upon receipt, carefully unpack the product and check the box to make sure you have received all the parts indicated above in good condition.

## Claims




If the box or the contents (the product and included accessories) appear damaged from shipping, or show signs of mishandling, upon receipt notify the carrier immediately, not CHAUVET®. Failure to do so in a timely manner may invalidate your claim with the carrier. In addition, keep the container and all the packing material for inspection.

For other issues such as missing components or parts, damage not related to shipping, or concealed damage, file a claim with CHAUVET® within 7 days of receiving the merchandise.

## Text Conventions

Convention	Meaning
1–512	A range of values
50/60	A set of values of which only one can be chosen
<b>Settings</b>	A menu option not to be modified
<b>Menu &gt; Settings</b>	A sequence of menu options to be followed
<b>&lt;ENTER&gt;</b>	A key to be pressed on the product's control panel
<b>ON</b>	A value to be entered or selected

## Symbols

Symbol	Meaning
	Critical installation, configuration, or operation information. Failure to comply with this information may cause the product to not work, damage it, or cause harm to the operator.
	Important installation or configuration information. Failure to comply with this information may prevent the product from working properly.
	Useful information.

## Disclaimer

The information and specifications contained in this document are subject to change without notice. CHAUVET® assumes no responsibility or liability for any errors or omissions that may appear in this manual. CHAUVET® reserves the right to update the existing document or to create a new document to correct any errors or omissions.

You can download the latest version of this document from [www.chauvetlighting.com](http://www.chauvetlighting.com).

© Copyright 2013 CHAUVET®. All rights reserved.

Electronically published by CHAUVET® in the United States of America.

Author	Date	Editor	Updated
A. Diaz	6/18/12	S. Diaz	1/23/13

## Product at a Glance

Use on Dimmer	⊘	Auto Programs	✓
Outdoor Use	✓	Auto-ranging Power Supply	✓
Sound Activated	⊘	Replaceable Fuse	⊘
DMX	✓	User Serviceable	⊘
Master/Slave	✓	Duty Cycle	⊘

## Safety Notes

Please read the following Safety Notes carefully before working with the product. The Notes include important safety information about installation, usage, and maintenance.



- Always connect the product to a GFI (ground fault interrupter) circuit to avoid the risk of electrocution.
- Always disconnect the product from the power source before cleaning.
- Avoid direct eye exposure to the light source while the product is on.
- Make sure the power cord is not crimped or damaged.
- Never disconnect the product from power cord by pulling or tugging on the cord.
- If mounting the product overhead, always secure to a fastening device using a safety cable.
- Make sure there are no flammable materials close to the product when operating.
- Do not touch the product's housing when operating because it may be very hot.



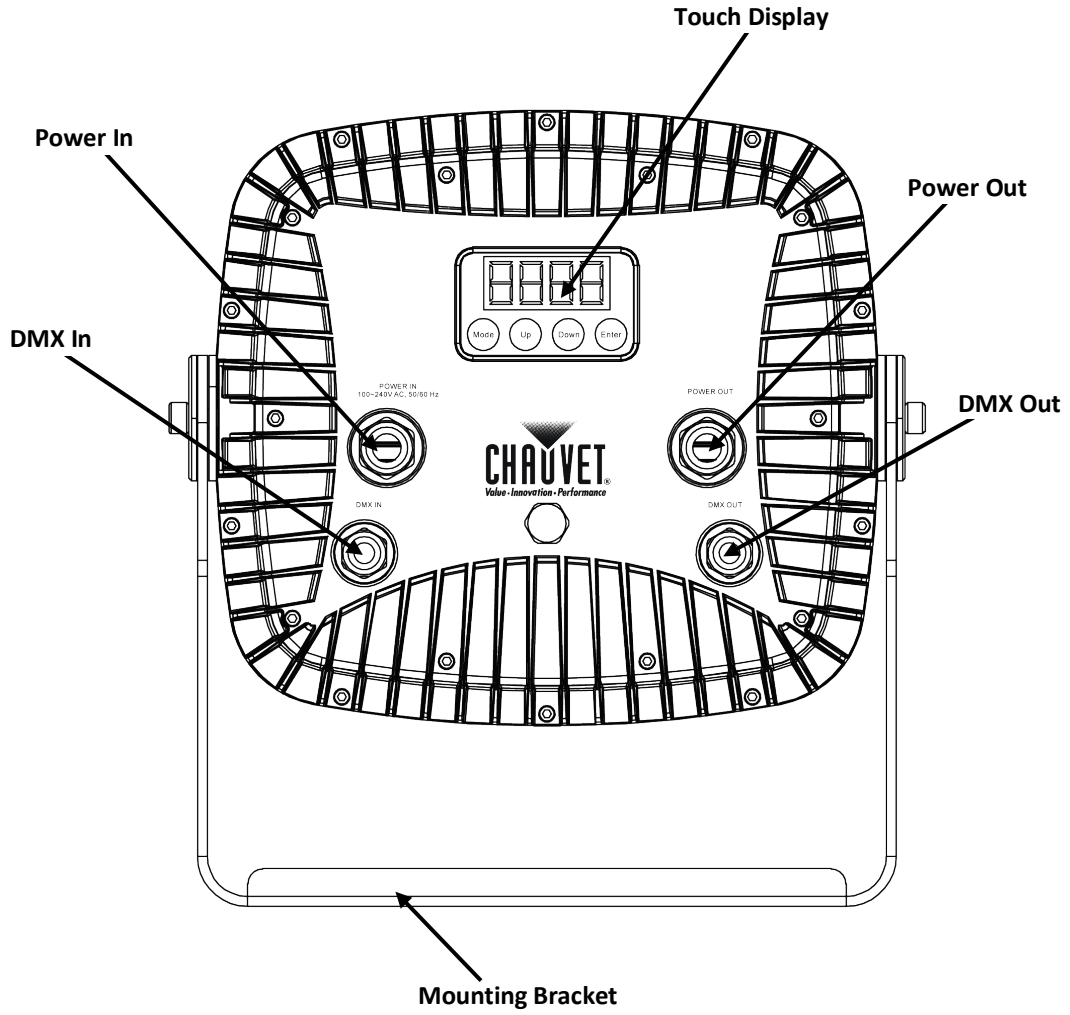
- Always make sure that the voltage of the outlet to which you are connecting the product is within the range stated on the decal or rear panel of the product.
- The product is for indoor or outdoor use (IP65!). Do not submerge the product.
- Always install the product in a location with adequate ventilation, at least 20 in (50 cm) from adjacent surfaces.
- Be sure that no ventilation slots on the product's housing are blocked.
- Never connect the product to a dimmer.
- Make sure to replace the fuse with another of the same type and rating.
- Never carry the product from the power cord or any moving part. Always use the hanging/mounting bracket or the handles.
- The maximum ambient temperature ( $T_a$ ) is 104° F (40° C). Do not operate the product at higher temperatures.
- In the event of a serious operating problem, stop using the product immediately.
- Never try to repair the product. Repairs carried out by unskilled people can lead to damage or malfunction. Please contact the nearest authorized technical assistance center.



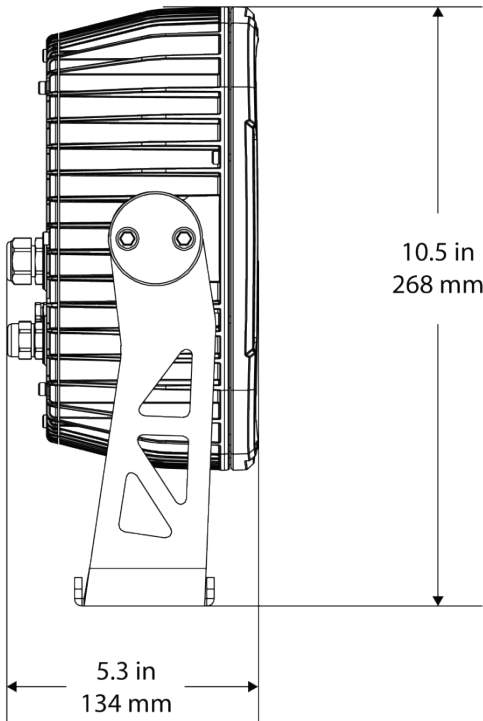
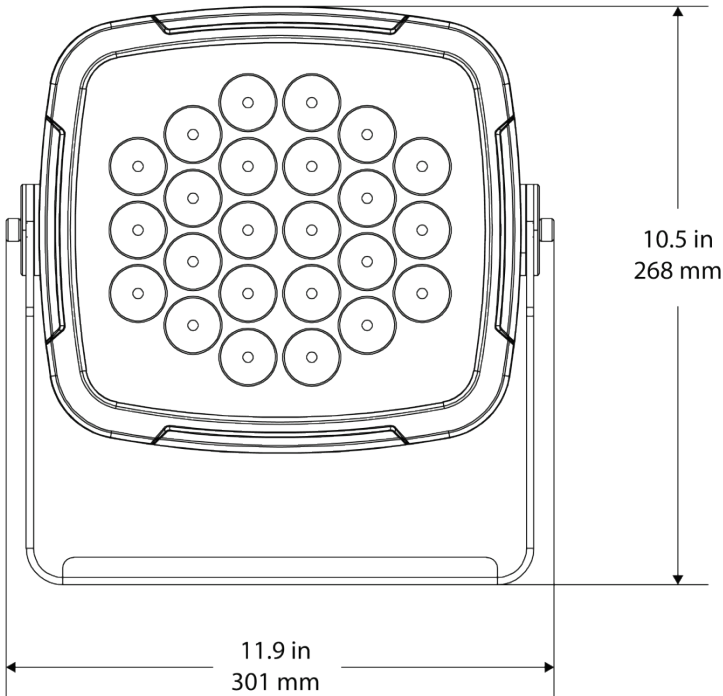
- Keep this User Manual for future consultation. If you sell the product to another user, be sure that they also receive this document.

# 2. INTRODUCTION

## Product Overview



# Product Dimensions



---

## 3. SETUP

**AC Power** The SlimPANEL™ TRI 24 IP has an auto-ranging power supply and it can work with an input voltage range of 100–240 VAC, 50/60 Hz.

To determine the product's power requirements (circuit breaker, power outlet, and wiring), use the current value listed on the label affixed to the product's back panel, or refer to the product's specifications chart. The listed current rating indicates the product's average current draw under normal conditions.



**Always connect the product to a protected circuit (circuit breaker or fuse). Make sure the product has an appropriate electrical ground to avoid the risk of electrocution or fire.**



**Never connect the product to a rheostat (variable resistor) or dimmer circuit, even if the rheostat or dimmer channel serves only as a 0 to 100% switch.**

**Power Linking** The product provides a power linking option via the pigtailed located on the back of the unit.

You can daisy chain up to 6 units on 120 VAC or up to 12 units on 230 VAC.

If you choose not to use the power linking feature, be sure to use the included screw on cap to prevent any water from getting into the power cords.



**The power linking information above corresponds to the North American version of the product ONLY! If using the product in other markets, you must consult with the local CHAUVET® distributor as power linking connectors and requirements may differ in your country or region.**

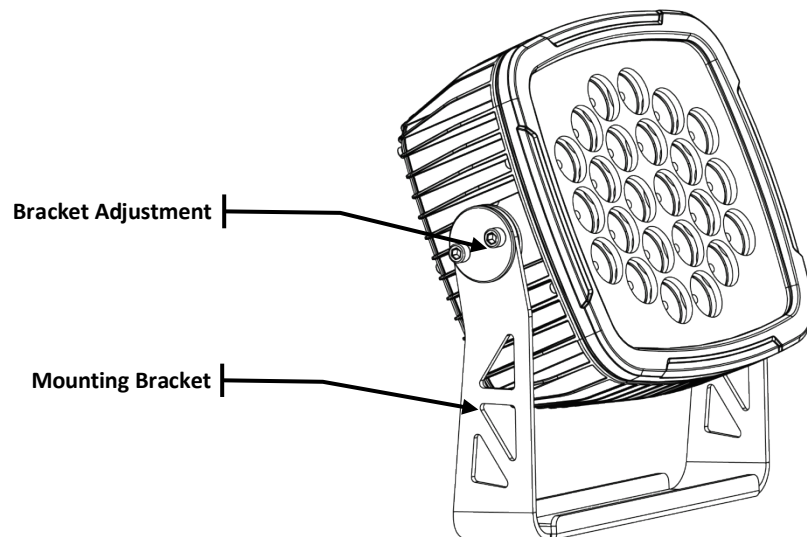
---

**Mounting** Before mounting the product, read and follow the safety recommendations indicated in the Safety Notes.

**Orientation** The SlimPANEL™ TRI 24 IP may be mounted in any position; however, make sure adequate ventilation is provided around the product.

- Rigging**
- Before deciding on a location for the product, always make sure there is easy access to the product for maintenance and programming purposes.
  - Make sure that the structure onto which you are mounting the product can support the product's weight. Please see the *Technical Specifications* section of this manual for weight information.
  - When mounting the product overhead, always use a safety cable. Mount the product securely to a rigging point, whether an elevated platform or a truss.
  - When rigging the product onto a truss, you should use a mounting clamp of appropriate weight capacity. The bracket has a 13 mm hole, which is appropriate for this purpose.
  - When power linking multiple products, you must always consider the length of the power linking cable and mount the products close enough for the cable to reach.

**Mounting Diagram**





## 4. OPERATION

**Control Panel Operation** To access the control panel functions, use the four buttons located underneath the display. Please refer to the Product Overview to see the button locations on the control panel.

Button	Function
<MENU>	Press to find an operation mode or to back out of the current menu option
<UP>	Press to scroll up the list of options or to find a higher value
<DOWN>	Press to scroll down the list of options or to find a lower value
<ENTER>	Press to activate a menu option or a selected value

Menu Map	Mode	Programming Steps		Description
	DMX Address	Addr	d__1-d512	
	DMX Personalities	PRES	3CH	Selects DMX personality
			4CH	
			5CH	
			9CH	
	Dimmer	DIM	OFF	Change dimmer speed
			DIM1	
			DIM2	
			DIM3	
	Static Color	C--	C1	Red
			C2	Green
			C3	Blue
			C4	Cyan
			C5	Magenta
			C6	Yellow
			C7	White
	Touch Control Panel Lock	PASS	ON	Locks touch control panel
			OFF	Password is UP,DOWN,UP,DOWN,ENTER
	Custom Color Mixing	U--	r--	Red
			g--	Green
			b--	Blue
			S--	Strobe rate
	Auto Programs	P--	P1	S__1-S100 Auto program selection and speed selection
			P2	
			P3	
			P4	
			P5	

---

## Configuration (DMX)

Set the product in DMX mode to control with a DMX controller.

1. Connect the product to a suitable power outlet.
2. Turn the product on.
3. Connect a DMX cable from the DMX output of the DMX controller to the DMX input socket on the product.

## DMX Personalities and Starting Address

The SlimPANEL™ TRI 24 IP has 4 DMX personalities, from a 3-channel mode for basic control to a 9-channel mode with more advanced control over the lights.

The SlimPANEL™ TRI 24 IP uses up to 9 DMX channels in its 9-channel DMX mode, which defines the highest configurable address to **504**.

When selecting a starting DMX address, always consider the number of DMX channels the selected DMX mode uses. If you choose a starting address that is too high, you could restrict the access to some of the product's channels.

If you are not familiar with the DMX protocol, download the DMX Primer at [www.chauvetlighting.com](http://www.chauvetlighting.com).

To select the DMX personality, do the following:

1. Press **<MENU>** repeatedly until **PERS** shows on the display.
2. Use **<UP>** or **<DOWN>** to select **3CH**, **4CH**, **5CH** or **9CH**.
3. Press **<ENTER>** to choose your DMX personality when it appears on the display.

To then choose your starting address:

1. Press **<MENU>** repeatedly until **Addr** shows on the display.
2. Use **<UP>** or **<DOWN>** to select the starting address.
4. Press **<ENTER>**.

## DMX Channel Assignments and Values

<b>3-CH</b>	<b>Channel</b>	<b>Function</b>	<b>Value</b>	<b>Setting</b>
	1	Red	000 ⇔ 255	0–100%
	2	Green	000 ⇔ 255	0–100%
	3	Blue	000 ⇔ 255	0–100%

<b>4-CH</b>	<b>Channel</b>	<b>Function</b>	<b>Value</b>	<b>Setting</b>
	1	Dimmer	000 ⇔ 255	0–100%
	2	Red	000 ⇔ 255	0–100%
	3	Green	000 ⇔ 255	0–100%
	4	Blue	000 ⇔ 255	0–100%

<b>5-CH</b>	<b>Channel</b>	<b>Function</b>	<b>Value</b>	<b>Setting</b>
	1	Red	000 ⇔ 255	0–100%
	2	Green	000 ⇔ 255	0–100%
	3	Blue	000 ⇔ 255	0–100%
	4	Dimmer	000 ⇔ 255	0–100%
	5	Strobe	000 ⇔ 010	No function
			011 ⇔ 255	Slow to fast

## DMX Channel Assignments and Values (cont.)

9-CH	Channel	Function	Value	Setting
	1	Dimmer	000 ⇔ 255	0–100%
	2	Red	000 ⇔ 255	0–100%
	3	Green	000 ⇔ 255	0–100%
	4	Blue	000 ⇔ 255	0–100%
	5	Color Macros	000 ⇔ 010	No function
			011 ⇔ 200	Color Macros
			201 ⇔ 205	White 1: 3200K
			206 ⇔ 210	White 2: 3400K
			211 ⇔ 215	White 3: 4200K
			216 ⇔ 220	White 4: 4900K
			221 ⇔ 225	White 5: 5600K
			226 ⇔ 230	White 6: 5900K
			231 ⇔ 235	White 7: 6500K
			236 ⇔ 240	White 8: 7200K
			241 ⇔ 245	White 9: 8000K
	246 ⇔ 250	White 10: 8500K		
	251 ⇔ 255	White 11: 10000K		
	6	Strobe	000 ⇔ 009	No function
			010 ⇔ 255	0–100% (slow to fast)
	7	Auto Programs	000 ⇔ 051	No function
			052 ⇔ 101	Auto Program 1
			102 ⇔ 152	Auto Program 2
			153 ⇔ 203	Auto Program 3
			204 ⇔ 254	Auto Program 4
			255	Auto Program 5
	8	Auto Program Speed	000 ⇔ 255	Slow to fast (when Ch. 7 is 052–255)
	9	Dimmer Curve	000 ⇔ 051	Default speed
			052 ⇔ 101	Linear dimmer
			102 ⇔ 152	Nonlinear dimmer 1
			153 ⇔ 203	Nonlinear dimmer 2
			204 ⇔ 255	Nonlinear dimmer 3

---

## Configuration (Standalone)

Set the product in one of the standalone modes to control without a DMX controller.

1. Connect the product to a suitable power outlet.
2. Turn the product on.



**Never connect a product that is operating in any standalone mode to a DMX string connected to a DMX controller. Products in standalone mode may transmit DMX signals that could interfere with the DMX signals from the controller.**

## Automatic Mode

To enable the Automatic Mode, follow the instructions below:

1. Press **<MENU>** repeatedly until **P--** shows on the display.
2. Press **<ENTER>**.
3. Use **<UP>** or **<DOWN>** to choose an auto program (**P1-P5**).
4. Press **<ENTER>** to adjust the speed of the program.
5. Use **<UP>** or **<DOWN>** to adjust the duration of each step of the automatic program from **S\_\_1** (fast) to **S100** (slow).
6. Press **<ENTER>**.

## Static Color Mode

To enable the Static Color Mode, follow the instructions below:

1. Press **<MENU>** repeatedly until **C--** shows on the display.
2. Press **<ENTER>**.
3. Use **<UP>** or **<DOWN>** to choose a color (**C1-C7**).
4. Press **<ENTER>**.

## Custom Static Color Mode

To enable the Custom Static Color Mode, follow the instructions below:

1. Press **<MENU>** repeatedly until **U--** shows on the display.
2. Press **<ENTER>** to choose between colors (**r--**, **g--**, **b--**).
3. Press **<UP>** or **<DOWN>** to choose the intensity of the color (**000-100**).
4. Repeat the steps to mix additional colors to create the color you need.
5. Press **<ENTER>**.

You can also manually adjust the strobe rate. To do so, do the following:

1. Press **<MENU>** repeatedly until **U--** shows on the display.
2. Press **<ENTER>** until **S--** shows on the display.
3. Press **<UP>** or **<DOWN>** to choose the strobe rate (**S 0-S 20**).
4. Press **<ENTER>** once you have chosen your desired strobe rate.

## Dimmer Adjustment

You can manually control the dimmer speed to suit any need. To set up your preferred dimmer speed, do the following:

1. Press **<MENU>** repeatedly until **DIM** shows on the display.
2. Press **<ENTER>**.
3. Use **<UP>** or **<DOWN>** to choose between the dimming types (**OFF-DIM3**).
4. Press **<ENTER>**.

---

## Touch Control Panel Lock

To enable the touch panel lock, follow the instructions below:

1. Press **<MENU>** repeatedly until **PASS** shows on the display.
2. Press **<ENTER>**.
3. Press **<UP>** or **<DOWN>** until **ON** shows on the display to enable the touch panel lock.

To disable the touch panel lock so you can resume functionality, follow the steps below:

1. Press **<UP>**, **<DOWN>**, **<UP>**, **<DOWN>**, **<ENTER>** to disable the touch panel lock.
2. Press **<MENU>** to move through the menus as normal.



In situations where water may flow onto the touch display, use the Touch Panel Control Lock so that the water does not reset the product's settings.

## Master/Slave Mode

The Master/Slave mode allows a single SlimPANEL™ TRI 24 IP unit (the “master”) to control the actions of one or more SlimPANEL™ TRI 24 IP units (the “slaves”) without the need of a DMX controller. The master unit will be set to operate in a standalone mode, while the slave units will be set to operate in Slave Mode. Once set and connected, the slave units will operate in unison with the master unit.

Configure the units as indicated below.

### Slave units:

1. Press **<MENU>** repeatedly until **Addr** shows on the display.
2. Press **<ENTER>** to accept.
3. Set the DMX address to **001**.
4. Connect the DMX input of the first slave unit to the DMX output of the master unit.
5. Connect the DMX input of the subsequent slave units to the DMX output of the previous slave unit.
6. Finish setting and connecting all the slave units.

### Master unit:

1. Set the master unit to operate in standalone mode.
2. Make the master unit the first unit in the daisy chain.



- **Configure all the slave units before connecting the master unit to the daisy chain.**
- **Never connect a DMX controller to a DMX string configured for Master/Slave operation because the controller may interfere with the signals from the master unit.**
- **Do not connect more than 31 slave units to the master unit.**

---

## 5. TECHNICAL INFORMATION

### **Product Maintenance**

Dust build-up reduces light output performance and can cause overheating. This can lead to reduction of the light source's life. To maintain optimum performance and minimize wear, you should clean your lighting products at least twice a month. However, use and environmental conditions contribute to increased cleaning frequency.

To clean the product, follow the instructions below:

- Unplug the product from power.
- Wait until the product is cold.
- Use a vacuum (or dry compressed air) and a soft brush to remove dust collected on the external surface/vents.
- Clean all external optics and glass/transparent surfaces with a mild soap solution, ammonia-free glass cleaner, or isopropyl alcohol.
- Apply the solution directly to a soft, lint free cotton cloth or a lens cleaning tissue.
- Softly drag any dirt or grime to the outside of the external optics or glass/transparent surface.
- Gently polish the external optics and glass/transparent surfaces until they are free of haze and lint.



**Always dry the external optics and glass/transparent surfaces carefully after cleaning them.**

## 6. TECHNICAL SPECIFICATIONS

<b>Dimensions and Weight</b>	<b>Length</b>	<b>Width</b>	<b>Height</b>	<b>Weight</b>
	10.5 in (268 mm)	11.9 in (301 mm)	5.3 in (134 mm)	13.8 lbs (6.2 kg)
<b>Note:</b> Dimensions in inches rounded to the nearest decimal digit.				
<b>Power</b>	<b>Power Supply Type</b>	<b>Range</b>	<b>Voltage Selection</b>	
	Switching (internal)	100–240 V, 50/60 Hz	Auto-ranging	
	<b>Parameter</b>	<b>120 V, 60 Hz</b>	<b>230 V, 50 Hz</b>	
	Consumption	137 W	146 W	
	Operating	1.2 A	0.6 A	
<b>Power I/O</b>	<b>Power I/O</b>	<b>U.S./Worldwide</b>	<b>UK/Europe</b>	
	Power input connector	Proprietary	Proprietary	
	Power output connector	Proprietary	Proprietary	
<b>Light Source</b>	<b>Type</b>	<b>Power</b>	<b>Lifespan</b>	
	LED	3 W	50,000 hours	
	<b>Color</b>	<b>Quantity</b>	<b>Current</b>	
<b>Photo Optic</b>	Tri-color	24	350 mA (x3)	
	<b>Parameter</b>			
	Illuminance @ 2 m	5,850 lux		
	Beam angle	20°		
<b>Thermal</b>	<b>Maximum External Temp.</b>	<b>Minimum Startup Temp.</b>	<b>Cooling System</b>	
	113° F (45° C)	-4° F (-20° C)	Convection	
	<b>I/O Connectors</b>	<b>Connector Type</b>	<b>Channel Range</b>	
<b>DMX</b>	3-pin XLR	Proprietary	3, 4, 5, 9	
	<b>Product Name</b>	<b>Item Code</b>	<b>Item Number</b>	
<b>Ordering</b>	SlimPANEL™ TRI 24 IP	03030532	SLIMPANELTRI24IP	



UL 1573  
CSA C22.2 No. 166  
E113093



---

In case you need to return a product or request support:

- If you live in the U.S., contact CHAUVET® World Headquarters (see below).
- If you live in the UK or Ireland, contact CHAUVET® Europe Ltd. (see below).
- If you live in any other country, DO NOT contact CHAUVET®. Instead, contact your distributor of record. See [www.chauvetlighting.com](http://www.chauvetlighting.com) for distributors outside the U.S., United Kingdom, or Ireland.



**If you live outside the U.S., United Kingdom, or Ireland, contact your distributor of record and follow their instructions on how to return CHAUVET® products to them. Visit our website for contact details.**

## Returns

Call the corresponding CHAUVET® Tech Support office and request a Return Merchandise Authorization (RMA) number before shipping the product. Be prepared to provide the model number, serial number, and a brief description of the cause for the return.

You must send the merchandise prepaid, in its original box, and with its original packing and accessories. CHAUVET® will not issue call tags.

Clearly label the package with the RMA number. CHAUVET® will refuse any product returned without an RMA number.



**Write the RMA number on a properly affixed label. DO NOT write the RMA number directly on the box.**

Before sending the product, clearly write the following information on a piece of paper and place it inside the box:

- Your name
- Your address
- Your phone number
- The RMA number
- A brief description of the problem

Be sure to pack the product properly. Any shipping damage resulting from inadequate packaging will be your responsibility. As a suggestion, proper UPS packing or double-boxing is always a safe method to use.



**CHAUVET® reserves the right to use its own discretion to repair or replace returned product(s).**

## Contact Us

### World Headquarters

CHAUVET®

#### General Information

Address: 5200 NW 108th Avenue  
Sunrise, FL 33351  
Voice: (954) 929-1115  
Fax: (954) 929-5560  
Toll free: (800) 762-1084

#### Technical Support

Voice: (954) 929-1115 (Press 4)  
Fax: (954) 756-8015  
Email: [tech@chauvetlighting.com](mailto:tech@chauvetlighting.com)

#### World Wide Web

[www.chauvetlighting.com](http://www.chauvetlighting.com)

### United Kingdom & Ireland

CHAUVET® Europe Ltd.

#### General Information

Address: Unit 1C  
Brookhill Road Industrial Estate  
Pinxton, Nottingham, UK  
NG16 6NT  
Voice: +44 (0)1773 511115  
Fax: +44 (0)1773 511110

#### Technical Support

Email: [uktech@chauvetlighting.com](mailto:uktech@chauvetlighting.com)

#### World Wide Web

[www.chauvetlighting.co.uk](http://www.chauvetlighting.co.uk)