

*DUAL TRIGGER PAD* **PD-8**

*DUAL TRIGGER CYMBAL PAD* **CY-8**

*KICK TRIGGER PAD* **KD-8**

*HH CONTROL PEDAL* **FD-8**

## Owner's Manual

Thank you and congratulations on your choice of the Roland Dual Trigger Pad PD-8/Dual Trigger Cymbal Pad CY-8/Kick Trigger Pad KD-8/HH Control Pedal FD-8.

**Before using PD-8/CY-8/KD-8/FD-8, you need to make the settings for the percussion sound module (p. 12).**

Before using this unit, carefully read the sections entitled: "USING THE UNIT SAFELY" and "IMPORTANT NOTES" (p. 2–3). These sections provide important information concerning the proper operation of the unit. Additionally, in order to feel assured that you have gained a good grasp of every feature provided by your new unit, Owner's manual should be read in its entirety. The manual should be saved and kept on hand as a convenient

Copyright © 2003 ROLAND CORPORATION

All rights reserved. No part of this publication may be reproduced in any form without the written permission of ROLAND CORPORATION.

# USING THE UNIT SAFELY

## INSTRUCTIONS FOR THE PREVENTION OF FIRE, ELECTRIC SHOCK, OR INJURY TO PERSONS

### About ⚠ WARNING and ⚠ CAUTION Notices

<b>⚠ WARNING</b>	Used for instructions intended to alert the user to the risk of death or severe injury should the unit be used improperly.
<b>⚠ CAUTION</b>	Used for instructions intended to alert the user to the risk of injury or material damage should the unit be used improperly. * Material damage refers to damage or other adverse effects caused with respect to the home and all its furnishings, as well to domestic animals or pets.

### About the Symbols

	The ⚠ symbol alerts the user to important instructions or warnings. The specific meaning of the symbol is determined by the design contained within the triangle. In the case of the symbol at left, it is used for general cautions, warnings, or alerts to danger.
	The ⚡ symbol alerts the user to items that must never be carried out (are forbidden). The specific thing that must not be done is indicated by the design contained within the circle. In the case of the symbol at left, it means that the unit must never be disassembled.
	The ● symbol alerts the user to things that must be carried out. The specific thing that must be done is indicated by the design contained within the circle. In the case of the symbol at left, it means that the power-cord plug must be unplugged from the outlet.

### ALWAYS OBSERVE THE FOLLOWING

#### ⚠ WARNING

- Before using this unit, make sure to read the instructions below, and the Owner's Manual.

---

- Do not open or perform any internal modifications on the unit.

---

- Do not attempt to repair the unit, or replace parts within it (except when this manual provides specific instructions directing you to do so). Refer all servicing to your retailer, the nearest Roland Service Center, or an authorized Roland distributor, as listed on the attached "Information" leaflet.

---

- Never use or store the unit in places that are:
  - Subject to temperature extremes (e.g., direct sunlight in an enclosed vehicle, near a heating duct, on top of heat-generating equipment); or are
  - Damp (e.g., baths, washrooms, on wet floors); or are
  - Humid; or are
  - Exposed to rain; or are
  - Dusty; or are
  - Subject to high levels of vibration.

---

- This unit should be used only with a rack or stand that is recommended by Roland.

#### ⚠ WARNING

- When using the unit with a rack or stand recommended by Roland, the rack or stand must be carefully placed so it is level and sure to remain stable. If not using a rack or stand, you still need to make sure that any location you choose for placing the unit provides a level surface that will properly support the unit, and keep it from wobbling.

---

- Make sure you always have the unit placed so it is level and sure to remain stable. Never place it on stands that could wobble, or on inclined surfaces.

---

- Do not allow any objects (e.g., flammable material, coins, pins); or liquids of any kind (water, soft drinks, etc.) to penetrate the unit.

---

- In households with small children, an adult should provide supervision until the child is capable of following all the rules essential for the safe operation of the unit.

---

- Protect the unit from strong impact. (Do not drop it!)

**⚠ CAUTION**

- Try to prevent cords and cables from becoming entangled. Also, all cords and cables should be placed so they are out of the reach of children.



- Never climb on top of, nor place heavy objects on the unit.



**⚠ CAUTION**

- Should you remove nuts, washers, screws, anchor bolts, etc., make sure to put them in a safe place out of children's reach, so there is no chance of them being swallowed accidentally.



## IMPORTANT NOTES

In addition to the items listed under “USING THE UNIT SAFELY” on page 2–3, please read and observe the following:

### Placement

- Do not expose the unit to direct sunlight, place it near devices that radiate heat, leave it inside an enclosed vehicle, or otherwise subject it to temperature extremes. Also, do not allow lighting devices that normally are used while their light source is very close to the unit (such as a piano light), or powerful spotlights to shine upon the same area of the unit for extended periods of time. Excessive heat can deform or discolor the unit.
- When moved from one location to another where the temperature and/or humidity is very different, water droplets (condensation) may form inside the unit. Damage or malfunction may result if you attempt to use the unit in this condition. Therefore, before using the unit, you must allow it to stand for several hours, until the condensation has completely evaporated.
- Do not allow rubber, vinyl, or similar materials to remain on the unit for long periods of time. Such objects can discolor or otherwise harmfully affect the finish.

### Maintenance

- For everyday cleaning wipe the unit with a soft, dry cloth or one that has been slightly dampened with water. To remove stubborn dirt, use a cloth impregnated with a mild, non-abrasive detergent. Afterwards, be sure to wipe the unit thoroughly with a soft, dry cloth.

- Never use benzine, thinners, alcohol or solvents of any kind, to avoid the possibility of discoloration and/or deformation.

### Additional Precautions

- Use a reasonable amount of care when using the unit's buttons, sliders, or other controls; and when using its jacks and connectors. Rough handling can lead to malfunctions.
- When connecting / disconnecting all cables, grasp the connector itself—never pull on the cable. This way you will avoid causing shorts, or damage to the cable's internal elements.
- This instrument is designed to minimize the extraneous sounds produced when it's played. However, since sound vibrations can be transmitted through floors and walls to a greater degree than expected, take care not to allow these sounds to become a nuisance to neighbors, especially when performing at night and when using headphones.
- The pad's rubber surface may turn white, but this has no effect on the pad's function.

# PD-8

## Features

- Pad is compatible with dual triggers for separate head and rim sounds.
- Velocity sensitive pad provides rich expression.
- Compact, 8.5-inch pad allows for greater versatility when setting up.
- When used with a percussion sound module capable of positional sensing, you can obtain tonal changes by varying the location at which the pad is struck.

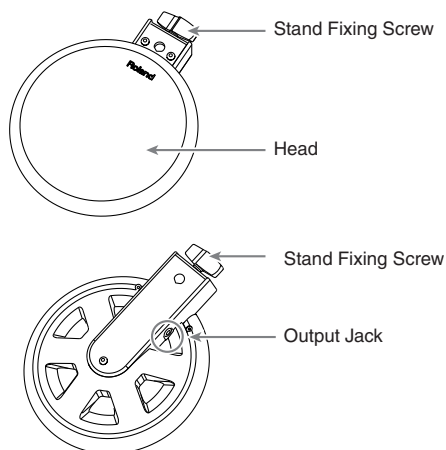


For details on positional sensing, refer to the documentation for the percussion sound module you're using.

## Contents of the Package

- PD-8 (pad unit)
- Connection Cable (stereo)
- Owner's Manual (this manual)

## Panel Description



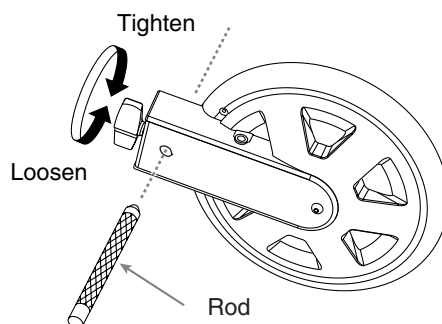
## Making the Settings

### Attaching the Pad to a Stand

Attach the PD-8 to a drum stand.

#### NOTE

When attaching the PD-8 to the pad mount, be sure to tighten the stand fixing screw securely. If any of them remain loose, the pad could fall off.



Pass the rod through the pipe that is inside the holder.

#### NOTE

When attaching the PD-8 to a commercially available tom stand, check the dimensions of the rod. Depending on the dimensions of the rod, it may not be possible to attach the pad to the stand.

**Acceptable rod diameters: 8.5–11.5 (3/8 to 1/2 inch)**

### Connecting to a Percussion Sound Module

#### NOTE

To prevent malfunction and/or damage to speakers or other devices, always turn down the volume, and turn off the power on all devices before making any connections.

- 1. Use the included connection cable and connect the output jack of the PD-8 to the trigger input jack of the percussion sound module.**

Connect the L-shaped plug of the included cable to the PD-8. This will prevent strain from being applied to the PD-8.

## 2. Make the trigger settings for the percussion sound module. For the recommended values, refer to p. 12.

### NOTE

Should you neglect to make the appropriate settings for the percussion sound module, you could likely experience the following problems:

- Sometimes it does not sound (uneven volume)
- The volume is too low (reduced sensitivity)



For information on how to change the parameters for a percussion sound module, refer to the documentation for the percussion sound module you're using.

## Specifications

---

### PD-8: Pad

Pad Size:	8.5 inches
Trigger:	2 (Head, Rim)
Dimensions:	226 (W) x 280 (D) x 54 (H) mm 8-15/16 (W) x 11-1/16 (W) x 2-1/8 (H) inches
Weight:	1250 g / 2 lbs 13 oz
Accessories:	Owner's Manual, Connection Cable
Options:	Pad Mounts (MDH-7U, MDH-10), Drum Stands (MDS-3C, MDS-6, MDS-8C, MDS-10, MDS-20)

### NOTE

In the interest of product improvement, the specifications and/or appearance of this unit are subject to change without prior notice.

# CY-8

## Features

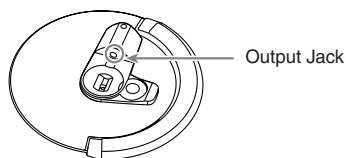
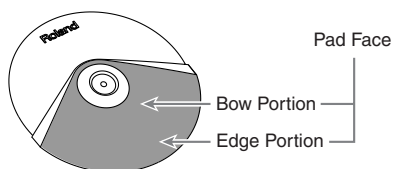
- Velocity sensitive cymbal pad provides rich expression.
- Designed specially for cymbals, the pad offers superior playing feel. Realistically reproduces the cymbal's characteristic "swinging" motion.
- You can use bow shots, edge shots, and choking techniques.

## Contents of the Box

- CY-6 (cymbal pad unit)
- Connection Cable (stereo)
- Wing Nut
- Felt Washer
- Stopper
- Owner's Manual (this manual)



## Panel Description



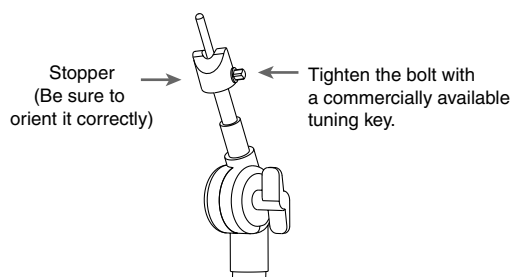
## Making the Settings

### Attaching the Cymbal Pad to a Stand

Attach the CY-8 to a cymbal mount.

#### 1. Use a commercially available tuning key to tighten the stopper bolt.

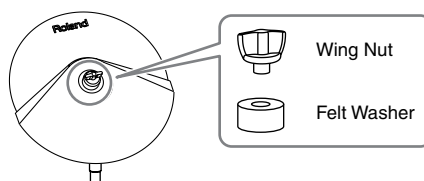
The stopper keeps the cymbal pad from turning, and prevents the cables from catching or getting tangled on the stand.



#### 2. Attach the CY-8 so the Roland logo is positioned on the opposite side of the playing area.

#### 3. Tighten the wing nut to obtain the desired movement.

Use the included felt washer and the wing nut.



#### NOTE

Take care to ensure that the cables do not touch the cymbal units and/or the stand. A cable touching a cymbal unit or a stand may cause double sounding or other incorrect operation.

### Connecting to a Percussion Sound Module

#### NOTE

To prevent malfunction and/or damage to speakers or other devices, always turn down the volume, and turn off the power on all devices before making any connections.

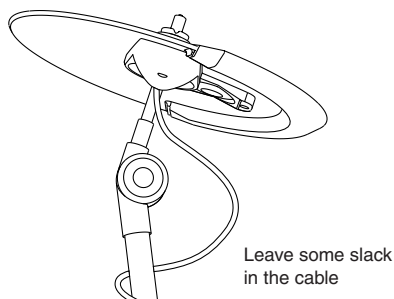
## 1. Use the included connection cable and connect the output jack of the CY-8 to the trigger input jack of the percussion sound module.

Connect the L-shaped plug of the included cable to the CY-8. This will prevent strain from being applied to the CY-8.

### NOTE

To make use of edge shot and choking play techniques, you'll need to connect to a trigger input jack on the percussion sound module that accommodates rim shots.

## 2. Leave some slack in the cable to ensure that they are not pulled by the movement of the CY-8 when struck.



## 3. Make the trigger settings for the percussion sound module. For the recommended values, refer to p. 12.

### NOTE

Should you neglect to make the appropriate settings for the percussion sound module, you could likely experience the following problems:

- Sometimes it does not sound (uneven volume)
- The volume is too low (reduced sensitivity)

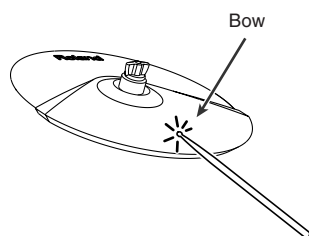


For information on how to change the parameters for a percussion sound module, refer to the documentation for the percussion sound module you're using.

## Playing the CY-8

### Bow Shot

This is the most common playing method, playing the pad face of the cymbal. It corresponds to the sound of the "head-side" of the connected trigger input.

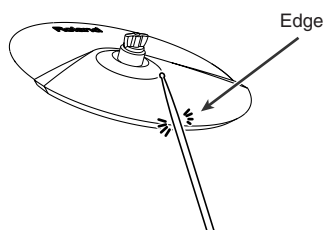


### Edge Shot

This playing method involves striking the edge with the shoulder of the stick. It corresponds to the sound of the "rim-side" of the connected trigger input.

### NOTE

To make use of edge shot, you'll need to connect to a trigger input jack on the percussion sound module that accommodates rim shots.

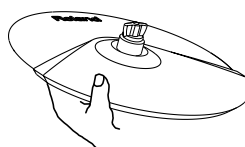


### Choking

Choking (pinching) the cymbal's edge with the hand immediately after hitting the cymbal makes the sound stop.

### NOTE

To make use of choking play techniques, you'll need to connect to a trigger input jack on the percussion sound module that accommodates rim shots.



## Specifications

### CY-8: Cymbal Pad

Pad Size:	12 inches
Triggers:	2 (Head, Rim)
Dimensions:	290 (W) x 295 (D) x 45 (H) mm 11-7/16 (W) x 11-5/8 (D) x 1-7/8 (H) inches
Weight:	650 g / 1 lb 7 oz
Accessories:	Owner's Manual, Connection Cable, Wing Nut, Felt Washer, Stopper
Options:	Cymbal Mounts (MDY-7U, MDY-10) Drum Stands (MDS-3C, MDS-6, MDS-8C, MDS-10, MDS-20)

### NOTE

In the interest of product improvement, the specifications and/or appearance of this unit are subject to change without prior notice.

# KD-8

## Features

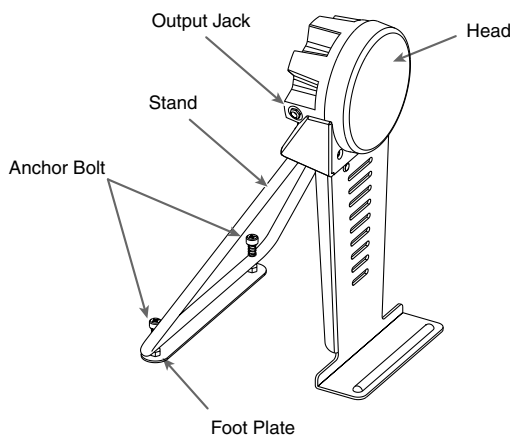
- Velocity sensitive pad provides rich expression.
- Vertical trigger surface for extremely quiet performance. Also compatible with twin pedals.

## Contents of the Box

- KD-8 (pad unit)
- Connection Cable (monaural)
- Screws (attached to the bottom panel)
- Owner's Manual (this manual)

\* This package does not include a kick pedal and beater.  
Use with a commercially available kick pedal and beater.

## Panel Description

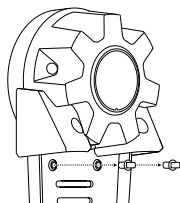


## Making the Settings

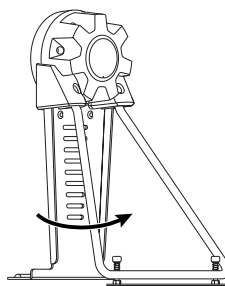
### NOTE

To prevent malfunction and/or damage to speakers or other devices, always turn down the volume, and turn off the power on all devices before making any connections.

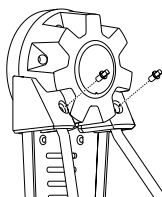
1. Remove the screws attached to the reverse side of the KD-8's trigger.



2. Pull out the stand in the direction indicated by the arrow until it is fully extended.

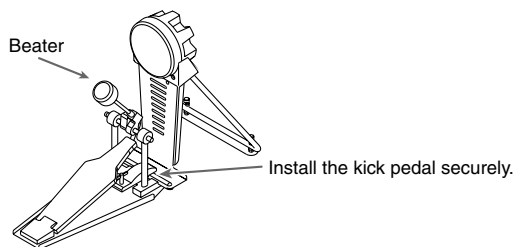


3. Using any commercially available tuning key, tighten the screws removed in Step 1 so that the stand is firmly secured.



4. Attach the kick pedal.

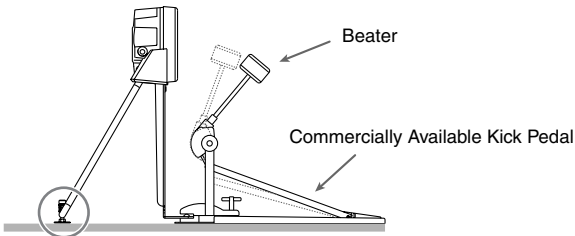
Position the beater so that it strikes the center of the head, then secure the kick pedal and KD-8 firmly in place.





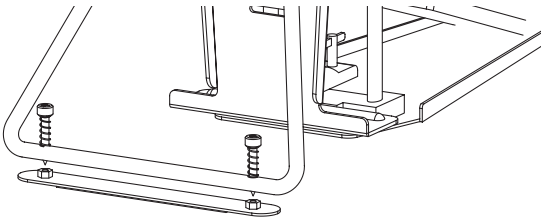
## Adjusting the Foot Plate Height

Depending on your kick pedal, it can be unstable when you attach it to the KD-8. Be sure to adjust the foot plate height so that the entire bottom surface of the pedal is attached to the floor.

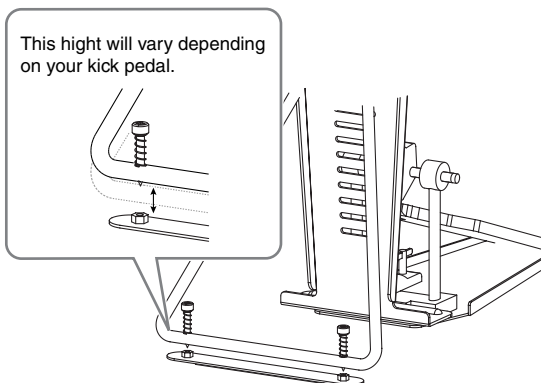


\* Adjust the height so that the entire pedal comes into contact with the floor.

1. Loosen the stand's anchor bolts and remove the foot plate.



2. Set the kick pedal so that the entire bottom surface is attached to the floor.
3. In most cases, the stand becomes somewhat floated. Tighten the anchor bolts securely there to fix the stand and foot plate.



### NOTE

- Install the kick pedal securely.
- Take care not to pinch your fingers.
- The tips of the anchor bolts are sharp. Handle with care.
- When moving the setup, be sure to remove the screws and fold the stand. Transporting the KD-8 while it remains open may subject the stand to excessive strain and result in damage to the stand.

## Adjusting the Anchor Bolts

When using the kick pedal on a carpet or similar surface, adjust the anchor bolts so their tips protrude from the plate and secure the pedal in place; this will make it easier to use the kick pedal. However, when used on flooring, the anchor bolts may damage the floor. Adjust the anchor bolts correctly.

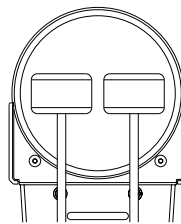
### Adjusting the Anchor Bolts



### NOTE

- The tips of the anchor bolts are sharp. Handle with care.

## When Using a Twin Pedal



Adjust the beaters so they are positioned as shown in the figure at left.

You may find that using a twin pedal results in lower sensitivity as compared to when a single pedal is used. In such instances, raise the sensitivity as needed on the sound module.

## Connecting to a Percussion Sound Module

1. **Use the included connection cable and connect the output jack of the KD-8 to the trigger input jack of the percussion sound module.**

Connect the L-shaped plug of the included cable to the KD-8. This will prevent strain from being applied to the KD-8.

2. **Make the trigger settings for the percussion sound module. For the recommended values, refer to p. 12.**

### **NOTE**

Should you neglect to make the appropriate settings for the percussion sound module, you could likely experience the following problems:

- Sometimes it does not sound (uneven volume)
- The volume is too low (reduced sensitivity)



For information on how to change the parameters for a percussion sound module, refer to the documentation for the percussion sound module you're using.

## Specifications

---

### **KD-8: Kick Trigger Unit**

Dimensions: 272 (W) x 260 (D) x 405 (H) mm  
10-3/4 (W) x 10-1/4 (D) x 16 (H) inches

Weight: 2.9kg / 6 lbs 7 oz

Accessories: Owner's Manual, Connection Cable, Screws

### **NOTE**

In the interest of product improvement, the specifications and/or appearance of this unit are subject to change without prior notice.

# FD-8

## Features

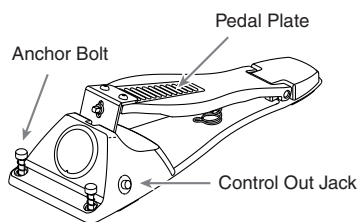
This hi-hat controller pedal features freely adjustable pedal plate angle and tension. It provides open, closed, and half-open sounds and continuous control from full open to closed positions for richly expressive hi-hat work.

## Contents of the Box

### Contents of the Package

- FD-8 (pad unit)
- Connection Cable (monaural)
- Owner's Manual (this manual)

## Panel Description



## Specifications

### FD-8: Hi-Hat Control Pedal

Control Out Jack:	1
Dimensions:	130 (W) x 396 (D) x 103 (H) mm 5-1/8 (W) x 15-5/8 (D) x 4-1/16 (H) inches
Weight:	1.3 kg / 2 lbs 14 oz
Accessories:	Owner's Manual, Connection Cable, Tuning Key

### NOTE

In the interest of product improvement, the specifications and/or appearance of this unit are subject to change without prior notice.

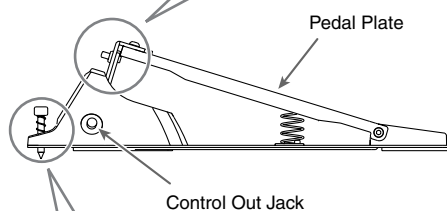
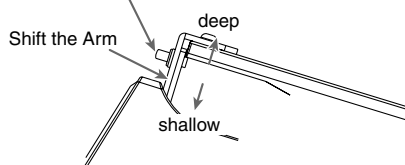
## Making the Settings

### NOTE

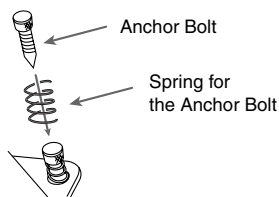
To prevent malfunction and/or damage to speakers or other devices, always turn down the volume, and turn off the power on all devices before making any connections.

### Adjusting the Travel of the Pedal

Loosen the nut with the included tuning key. After adjusting, tighten the nut.



### Attaching the Anchor Bolts (When Using on the Carpet)



### NOTE

- The tips of the anchor bolts are sharp. Handle with care.
- When using on flooring, the anchor bolts may damage the floor. Do not attach the anchor bolts.
- When the FD-8 is not going to be used for a long period of time, move and fix the arm, allowing longer travel for the pedal.
- To avoid damage, do not leave the FD-8 for extended periods of time with the pedal plate depressed.

## Connecting to a Percussion Sound Module

1. Use the included connection cable and connect the control out jack of the FD-8 to the Hi-Hat Control jack of the percussion sound module.

Connect the L-shaped plug of the included cable to the FD-8. This will prevent strain from being applied to the FD-8.

# Recommended Settings for the Percussion Sound Module

Recommended settings for the trigger parameters when using the PD-8/CY-8/KD-8 with various percussion sound modules.

- The trigger parameters should be adjusted as necessary to match the actual state of your configuration, and the environment in which it is being used.

## TD-10 (TDW-1 V-Cymbal Control, TDW-1)

	PD-8	CY-8	KD-8
Trigger Type	P9A	CrB	KD7
Sensitivity	5	8	10
Threshold	2	3	5
Curve	Linear	Linear	LoG1
Scan Time	0.8	2.0	0.8
Retrigger Cancel	4	10	4
Mask Time	8	8	4
Xtalk Cancel	(40)	(40)	(OFF)
Mount Type	Pad Mount	CymMount	Separate

## TD-10 (Non expanded)

	PD-8	CY-8	KD-8
Trigger Type	PD9	PD9	KD7
Sensitivity	3	5	7
Threshold	1	1	3
Curve	Linear	Linear	Linear
Scan Time	0.8	2.0	0.8
Retrigger Cancel	1	8	1
Mask Time	8	8	12
Xtalk Cancel	(30)	(30)	(OFF)

## TD-8

	PD-8	CY-8	KD-8
Trigger Type	PD-6	CY1	KD7
Sensitivity	6	10	7
Threshold	3	3	3
Curve	LINEAR	LINEAR	LINEAR
Scan Time	0.6	2.0	1.2
Retrig Cancel	3	8	6
Mask Time	4	8	12
Xtalk Cancel	(30)	(30)	(30)

## TD-6

	PD-8	CY-8	KD-8
TrigType	PD6	CY6	KD7
Sensitivity	7	10	9
Threshold	3	3	3
TrigCurve	LINEAR	LINEAR	LINEAR
Xtalk Cancel	(50)	(60)	(20)
Scan Time	1.0	2.0	2.0
Retrig Cancel	3	3	3
Mask Time	4	8	8

## SPD-20

	PD-8	CY-8	KD-8
Trig Sens	6	12	11
Trig Threshold	0	1	0
Trig Type	Pd9	Pd5	Kd7
Trig Curve	0	0	1
Scan Time	00	20	08
Retrigger Cancel	2	6	7
Mask Time	8	12	12
Cross Talk Cancel	(40)	(50)	(OFF)
Rim Sensitivity	---	---	---

## SPD-5

	PD-8	CY-8	KD-8
InputMode	HD&RM	HD&RM	TRGx2
Type	PD	CY-6	KD
Sensitivity	7	9	9
Threshold	3	3	4
VeloCrv	LINEAR	LINEAR	LINEAR
Scan Time	0.8	2.0	0.8
RegrigCancel	3	4	6
Mask Time	8	8	8
XtalkCancel	(30)	(30)	(30)
Rim Sens	---	---	---
Rim Gain	1.4	1.1	---

## HPD-15

	PD-8	CY-8	KD-8
Input Mode	HD/RM	HD/RM	TRIGx2
Trig Type	PD-7	PD-5	KD-7
Trig Sens	9	11	10
Curve	Linear	Linear	Linear
Threshold	3	3	6
Scan Time	1ms	2ms	1ms
Retrig Cancel	2	9	4
Mask Time	6ms	8ms	6ms
X-Talk Rate	OFF	OFF	(40%)
Rim Sens	---	---	---

## RM-2

	PD-8	CY-8	KD-8
Input Mode	H-2		H-2
Trigger Type	Pd		Kd
Threshold	3		4
Sensitivity	8		11
Velocity Curve	LG1		Lnr
Scan Time	06		06
Retrigger Cancel	2		7
Crosstalk Cancel	(30)		(off)
Mask Time	8		8
Rim Sensitivity	---		---

## TMC-6

	PD-8	CY-8	KD-8
Threshold	3	3	3
Sensitivity	8	10	10
Trig Type	Pd	Cy	Kd
Scan Time	0.8	2.0	0.8
Retrig Cancel	3	3	2
Mask Time	8	8	8
XTalk Cancel	(30)	(30)	(30)

\* If you modify parameters, you need to set the trigger type first.

\* The HPD-15 and SPD-5 support the use of edge shots with the CY-8 and the PD-8, but they do not support choking techniques.

\* The RM-2 does not support the use of rim shots with the PD-8.