

N/D868 Bass Drum Microphone



N / D Y M °
W I R E D
MICROPHONES

General Product Description

The N/D868 is truly a top performer in any application. Whether in a live sound or studio environment, the N/D868 is able to handle incredibly high sound pressure levels without distortion or overriding the input mixer. With a response specifically designed to “kick” the N/D868 can be used is “as is”—no additional EQ required. Electrovoice was the first to utilize the neodymium magnet structure, and it remains at the heart of our new N/DYM series of microphones. Experience the leader again for the first time and hear the difference.

- Designed specifically for kick drum applications in live or studio environments
- Optimized sensitivity for the high sound pressure levels found in bass drum micing
- Extended low-frequency response
- No additional EQ required
- Rugged steel construction for exceptional durability

Operation

The low frequency response of the N/D868 microphone varies with the distance from the sound source. Known as “proximity effect,” maximum bass response is produced in “close-up” use with the microphone 1/4 inch from the sound source. Normal bass response is experienced with working distances greater than 24 inches. Working close to the microphone will produce a more robust sound. Close up positioning of the microphone will also reduce the potential for feedback from the sound reinforcement system. When, the bass-boost provides an increase in overall microphone output level. The mixer gain may be proportionately reduced, resulting in a reduction of the system’s sensitivity to feedback caused by sound entering the microphone from the loudspeakers.

Microphone Use and Placement

Please note that micing techniques are a matter of personal preference.

These are merely guidelines to assist in the placement of the microphone to gain optimal performance.

Usage	Optimal Placement
Kick Drum	Remove drum head and damp with a pillow or blanket. Position the mic on the pillow or blanket a few inches in front of the drum beater. As an alternative, position the mic on a small boom stand with the mic extended into the drum and at a 90° angle to the drum beater.



N/D868

Bass Drum Microphone

Specifications

Frequency Response	20 Hz to 10 kHz
Polar Pattern	Cardioid
Impedance	Low-Z balanced (150 Ohms)
Sensitivity	
Open Circuit Voltage	1 mV/Pascal @ 1.0 kHz
Power Level	(0 dB=1mW/pascal) -51.7 dB @ 1.0 kHz
Microphone Connector	3-pin, XLR-type
Polarity	Positive pressure on diaphragm causes positive voltage on pin 2 ref. pin 3
Finish	Non-reflecting black
Materials	
Memraflex™ grille screen	
Steel Case	
Dimensions	
Length	@ 5.22 in. (132.6 mm)
Diameter	@ 2.36 in. (60 mm)
Shank	@ 1.0 in. (25.4 mm)
Weight	
Net	@ 10.4 oz (295 g)
Shipping	@ 26.5 oz (750 g)
Accessories included	
320 stand clamp	
Soft zippered "gig" bag	

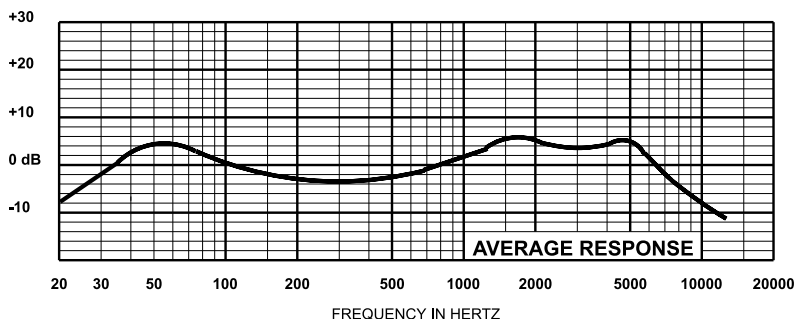
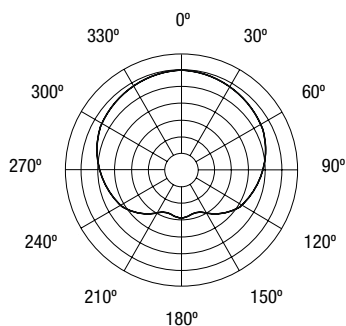
Standard Placement & Use Guidelines

1. Always point the microphone at the desired source of sound, and away from any unwanted sources.
2. The microphone should be located close to the sound source to minimize interference from other potential sound sources.
3. Use the 3-to-1 rule when using multiple microphones. Place each microphone three times farther from other microphones as from the desired sound source.
4. Minimize over-handling of the microphone to reduce unwanted mechanical noise
5. Working close to the microphone will increase the bass tone and also provide increased gain-before-feedback.

Warranty

This product is guaranteed against malfunction from any cause for two (2) years from the date of original purchase. In addition, the Limited Warranty for the acoustic system contained in the microphone shall apply for the life of this product, defines as a period of ten (10) years from the date that the manufacture of this microphone model has been discontinued. Any and all active electronics incorporated in this microphone are guaranteed against malfunction due to material workmanship for a period of three (3) years from the date of original purchase. This Limited Warranty does not extend to cables, connectors, or switches.

**For warranty service please call us at:
616-695-6831 or 1-800-234-6831**



EVERYWHERE™

USA	12000 Portland Ave South, Burnsville, MN 55337, Phone: 952-884-4051, FAX: 952-884-0043
Canada	705 Progress Avenue, Unit 46, Scarborough, Ontario, Canada, M1H2X1, Phone: 416-431-4975, 800-881-1685, FAX: 416-431-4588
Switzerland	Keltenstrasse 11, CH-2563 IPSACH, Switzerland, Phone: 41/32-331-6833, FAX: 41/32-331-1221
Germany	Hirschberger Ring 45, D94315, Straubing, Germany, Phone: 49 9421-706 392, Fax: 49 9421-706 287
France	Parc de Courcerin, Allée Lech Walesa, Lognes, 77185 Marne La Vallée, France, Phone: 33/1-6480-0090, FAX: 33/1-6480-4538
Australia	Unit 23, Block C, Slough Business Park, Slough Avenue, Silverwater, N.S.W. 2128, Australia, Phone: 61/2-9648-3455, FAX: 61/2-9648-5585
Hong Kong	Unit E & F, 21/F, Luk Hop Industrial Bldg., 8 Luk Hop St., San PO Kong, Kowloon, Hong Kong, Phone: 852-2351-3628, FAX: 852-2351-3329
Japan	2-5-60 Izumi, Suginami-ku, Tokyo, Japan 168, Phone: 81-3-3325-7900, FAX: 81-3-3325-7789
Singapore	3015A Ubi Rd 1, 05-10, Kampong Ubi Industrial Estate, Singapore 408705, Phone: 65-746-8760, FAX: 65-746-1206
Mexico	Av. Parque Chapultepec #66-201, Col. El. Parque Edo. Mex. 53390, Phone: (52) 5358-5434, FAX: (52) 5358-5588
UK	4, The Willows Centre, Willow Lane, Mitcham, Surrey CR4 4NX, UK, Phone: 44 181 640 9600, FAX: 44 181 646 7084
Africa, Mid-East	12000 Portland Ave South, Burnsville, MN 55337, Phone: 952-887-7424, FAX: 952-887-9212
Latin America	12000 Portland Ave South, Burnsville, MN 55337, Phone: 952-887-7491, FAX: 952-887-9212

www.electrovoice.com • Telex Communications, Inc. • www.telex.com

©Telex Communications, Inc. 6/2000 Part Number 535836

U.S.A. and Canada only.
**For customer orders, contact the Customer Service department at
800/392-3497 Fax: 800/955-6831**
**For warranty repair or service information, contact the Service
Repair department at 800/685-2606**
For technical assistance, contact Technical Support at 800/392-3497

Please refer to the Engineering Data Sheet for warranty information.
Specifications subject to change without notice.