

PRODUCT

L3200

DESCRIPTION

4-BUS MIXING CONSOLE

SERIES

L SERIES

CATEGORY

MIXERS**GENERAL DESCRIPTION**

Perfect for installation purposes, especially in clubs, schools, theaters and churches, the L3200 is a 32-channel, 4-bus mixing console with USB functionality. Housed in an ergonomically correct, attractively appointed enclosure, this mixer includes professional features such as high-quality mic preamps, 3-band swept mid EQ and 6 auxiliary buses with up to eight mixes possible. There are even 100mm faders on all the channels and groups. And each fader feels tight with a smooth action, ensuring optimal comfort for any engineer.

Connecting microphones and instruments is easy, with 24 mic/line inputs plus four additional stereo channels. In addition, each console has two extra mic preamps on the stereo channels, bringing the total number of mic inputs to 26 on this mixer. There are also dedicated stereo effects returns for the 100 on-board studio-quality digital effects, which can be applied to vocals or instruments using the built-in 24-bit multi-effects processor.

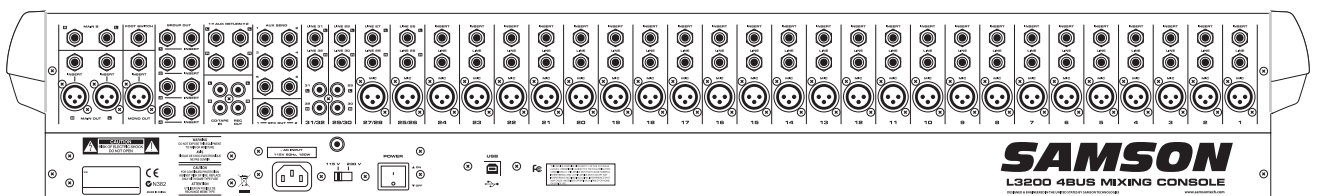
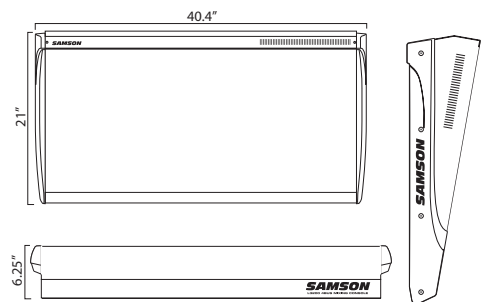
The L3200 also features large, backlit mute buttons that make console navigation in dimly lit club and theater settings easy and convenient. Additionally, there are two large 12-segment LED meters for the main mix, groups and PFL/AFL. A convenient talkback system also makes communicating with musicians and performers onstage no problem. Plus, the XLR mono output has an adjustable low-pass filter specific for subwoofer output.

Recognizing the presence of computers in contemporary audio, we've included USB functionality so any sound operator can record and playback digital audio from virtually any computer running recording software. The flexible routing option also lets a user assign the USB output to send the signal from the main stereo mix, or use the aux sends to record a completely independent mix. The USB input can be routed to the main LR mix or to channel 31 and 32.

The L3200 will provide clean, clear sound reproduction thanks to advanced circuit topology, high-quality components, low noise microphone preamps and a low impedance mix bus design. Perfectly suited for recording, live sound reinforcement and commercial installations, the L3200 combines comprehensive features and intuitive design, resulting in a truly remarkable mixer that's as versatile as it is reliable.

FEATURES

- > 32 input channels
- > XLR Mic: 24 mono channels + 4 stereo channels
- > 4 stereo line inputs, 2 with mic inputs
- > 100mm faders
- > 2 × 12-segment LED level meter for Main L/R, PFL/AFL, Group 1-4
- > Large illuminated mute switches and 100mm faders
- > 3-band EQ with sweepable mids
- > Dual DSP with 100 digital multi-effects
- > 6 aux sends and 2 stereo aux returns
- > USB I/O (send from Aux or Main, return to Main or last stereo channels)
- > Talkback mic input



PRODUCT SPECIFICATION SHEET



L3200

SERIES
L SERIES

DESCRIPTION
4-BUS MIXING CONSOLE

CATEGORY
MIXERS

ARCHITECT'S & ENGINEER'S SPECIFICATIONS

The Samson L3200 shall be a tabletop audio mixer. It shall be a 32-channel design with 24 channels having XLR mic inputs and 4 channels being stereo channels, two with XLR's included. The XLR Mic channels are equipped with 3 band EQ with sweepable mids, line input, insert point, mic/line trim control, 75Hz low cut filter, aux 1 and 2 send pre-fader, aux 3 and 4 send with pre/post switch, EFX 1 and 2 send to the 2 internal 24 bit DSP effects units with EFX bypass switch to send to aux 5 and 6 outputs, pan, solo, lighted mute, 60mm fader, buss 1-2 switch, bus 3-4 switch and main mix routing switch. Two of the stereo channels shall have 4 band fixed frequency EQ, line input on 2 – 1/4 inch jacks, mic/line trim control, XLR mic inputs, aux 1 and 2 send pre-fader, aux 3 and 4 send with pre/post switch, EFX 1 and 2 send to the 2 internal 24 bit DSP effects units with EFX bypass switch to send to aux 5 and 6 outputs, pan, solo, lighted mute, 60mm fader, buss 1-2 switch, bus 3-4 switch and main mix routing switch. The other two stereo channels have stereo RCA inputs instead of the added mic inputs. The main section shall have 6-1/4 inch outputs for the 6 aux sends with level controls and PFL switches plus EFX out 1 and 2 on 1/4 inch jacks with level controls and PFL switches. Aux return 1 and 2 shall be stereo returns on 1/4 inch jacks with level controls, PFL, and level controls to send to aux 1, 2, and a shift button to send to aux 3,4. The L3200 shall have a stereo CD/Tape in on RCA jacks with level control and PFL. It shall have a record out on RCA jacks. There shall be 4 group outputs on 1/4 inch jacks with 4 inserts on TRS 1/4 inch jacks controlled by 100mm faders, AFL, pan controls and assign buttons to main mix. The L3200 shall have a mono XLR output with insert, AFL, and 100mm fader that can also be used as a sub-woofer output via a Sub-woofer on/off button with variable frequency control from 20Hz to 200Hz. The L3200 shall have 2 internal DSP units with LED indicators for the 100 presets, routing to aux 1, 2, 3, and 4, bus 1-2, 3-4, and main mix, lighted effect on buttons, PFL and 100mm effect return faders. There shall be a rear panel 1/4 inch jack for a footswitch that bypasses the second DSP unit. The main mix shall have balanced XLR outputs and 1/4 inch inserts controlled by a stereo 100mm fader with AFL switch. There shall also be a main B rotary control that sends the main mix to a mix B output on 2- 1/4 inch jacks. The L3200 shall have a front panel headphone output with rotary volume control. There shall be a global 48V phantom power switch, an LED power indicator and 12V lamp socket on the top panel. There shall be 2 stereo LED ladders. One to indicate left and right mix or bus 1 and 2 via a push switch, the other indicating PFL and AFL or bus 3 and 4 via the same push switch. The L3200 shall have provisions for a talkback mic on an XLR jack with 48V phantom power. It shall have a level control and routing on switches to aux 1-2, 3-4, group 1-2, 3-4 and main mix. The L3200 shall have a USB interface. It shall stream a stereo mix either from the main mix or from aux 1-2 via a top panel switch. The USB can signal can be returned to either the main mix or to channel 23-24 via a top panel switch. The USB signal coming back to the mixer can also be routed to the headphone section via a top panel switch. The mixer shall have an internal power supply and a rear panel IEC connector.

L3200 LIVE 32-CHANNEL SPECIFICATIONS

Maximum Output Level (0.5% THD at 1 kHz)+24 dB (MAIN L/R) @ 10kΩ
+20 dB (INSERT) @10kΩ
+20 dB (GROUP, AUX/EFX, CTRL ROOM) @10kΩ
More than100mW (HEADPHONES) @ 33Ω
Frequency Response	20 Hz~20 kHz, +1/-2 dB (MIX L/R, GROUP, AUX/EFX SEND) @ 10kΩ
Hum and Noise	-128 dBu: Equivalent input noise (Rs = 150Ω)
-95 dBu: Residual noise (MAIN L/R, MONO, MAIN B, GROUP, AUX/EFX OUT)
-83 dBu: MAIN, MONO, GROUP Master fader at nominal level and all channel fader minimum
-76 dBu: AUX Master control at nominal level and all channel control minimum
Crosstalk (at 1 kHz)	-70 dB between input channels
-70 dB between input/output channels (CH INPUT)
Gain Control (Mono Input Channel)	44 dB Variable (-50 dB ~ -6 dB), (-30 dB ~ +14 dB)
Gain (Stereo Input Channel)	40 dB Variable (-20 dB ~ +20 dB)
High-Pass Filter	75 Hz, 18 dB/Octave
Input Channel Equalization (Mono)	HIGH: 12 kHz shelving ± 15 dB
MID: 100~8 kHz peaking ± 15 dB"
LOW: 80 Hz shelving ± 15 dB
Input Channel Equalization (Stereo)	
HIGH: 12 kHz shelving ± 15 dB
HI-MID: 3 kHz peaking ± 15 dB
LO-MID: 500 Hz peaking ± 15 dB
LOW: 80 Hz shelving ± 15 dB
LED Meters	12-point LED x 2 MAIN L/R,PFL/AFL, GROUP (1~4)
Internal Digital Effects	2 × 24-BIT DSP, 100 selectable presets
FOOT switch (ON/OFF)
Channel Indicators	Peak: An indicator for each channel turns on when the pre-channel fader signal is 5 dB below clipping.
Phantom Power	+48V DC
USB Bus Power	+5V DC 0.5A max USB A-TYPE FEMALE
Power Source / Power Consumption	AC 120V/230V/240V, 50/60Hz
L3200: 75W
Dimensions (W × D × H)	40.4" × 6.25" × 21"
	1026mm × 159mm × 533mm
Weight	40 lbs (18.1 kg))

PRODUCT SPECIFICATION SHEET

SERIES
L SERIES

DESCRIPTION
4-BUS MIXING CONSOLE

CATEGORY
MIXERS

L3200

