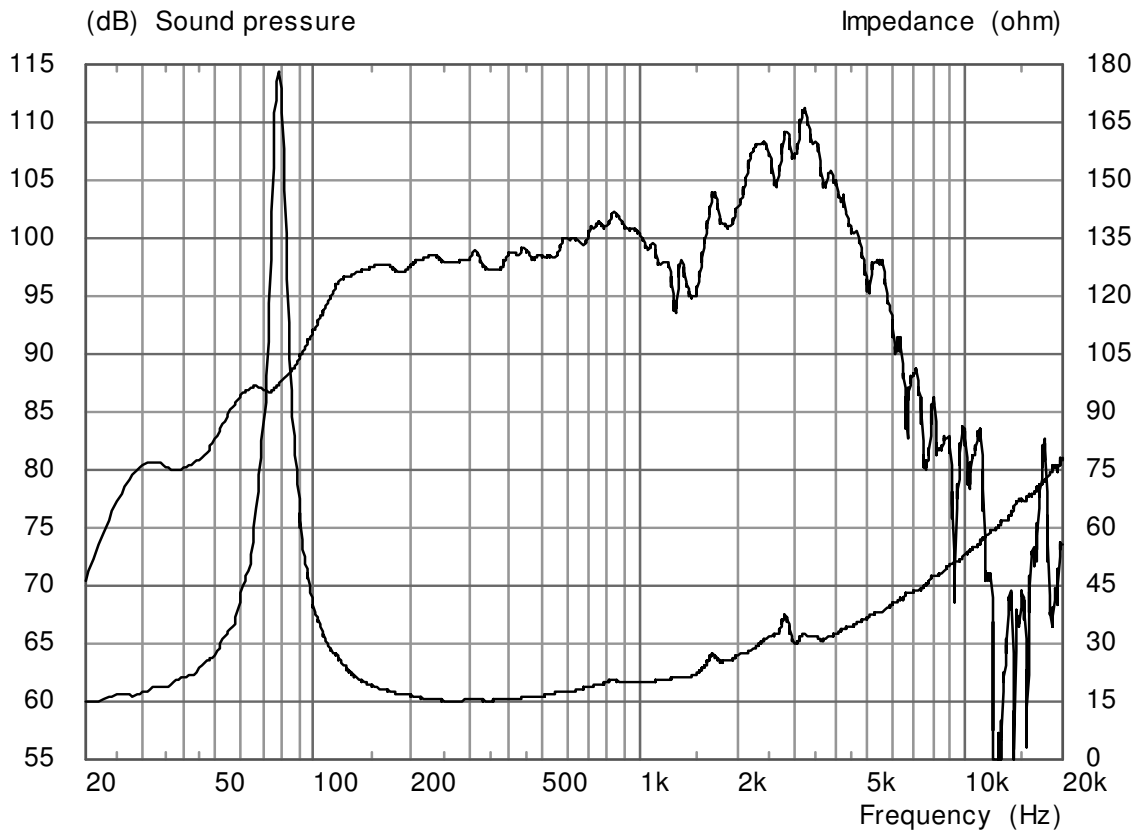




PRODUCT SPECIFICATION SHEET

| MODEL NO : T5601AW60 & AX60 | | DESCRIPTION : G12H-100 16ohm [OIS] | |
|-----------------------------|----------------------------|--|-------------------------------|
| N° | ITEM | SPECIFICATION | TEST CONDITION |
| 1 | NOMINAL IMPEDANCE | 16 ohm | |
| 2 | MINIMUM IMPEDANCE | 15.2 ± 1.1 ohm | at 300Hz |
| 3 | RESONANCE FREQ (fo) | 85 Hz | Measured at 1V |
| 4 | NOMINAL SENSITIVITY (SPL) | 99 dB | 1W / 1m on axis |
| 5 | EFFECTIVE FREQ BAND | 85Hz to 6.0kHz | |
| 6 | POWER HANDLING | 100W | EIA |
| 7 | MAGNET TYPE / WEIGHT | Ferrite / 50 oz | |
| 8 | FLUX DENSITY | 1.35 T | |
| 9 | GAP HEIGHT | 8 mm | |
| 10 | WINDING HEIGHT | 10 mm | |
| 11 | LINEAR DISPLACEMENT (Xmax) | ± 1 mm | (winding height-gap height)/2 |
| 12 | SMALL SIGNAL PARAMETERS | Typical value | |
| | Re | 13.18 | Ohm |
| | Mms | 32.70 | g |
| | Cms | 0.11 | mm/N |
| | Bl | 18.84 | T.m |
| | Qms | 11.57 | / |
| | Qes | 0.65 | / |
| | Qts | 0.61 | / |
| | Vas | 42.88 | l |
| | Sd | 530.93 | cm ² |
| 13 | POLARITY | When a positive D.C. current is applied to the positive terminal (marked red dot or □) the diaphragm shall move away from the magnet assy. | |
| REMARKS | | | |
| | | | |
| Rev. | Details | Date | Approved |
| 1 | Issued | 05/11/2013 | J.Gibbons |

FREQUENCY RESPONSE CURVES



Test condition: Hemi anechoic chamber, 1W/1m

Measured using Klippel measurement system.

Approved tolerances for production against production line standard unit:

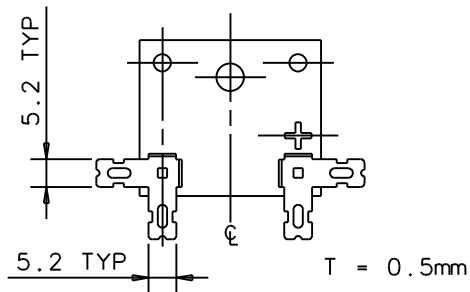
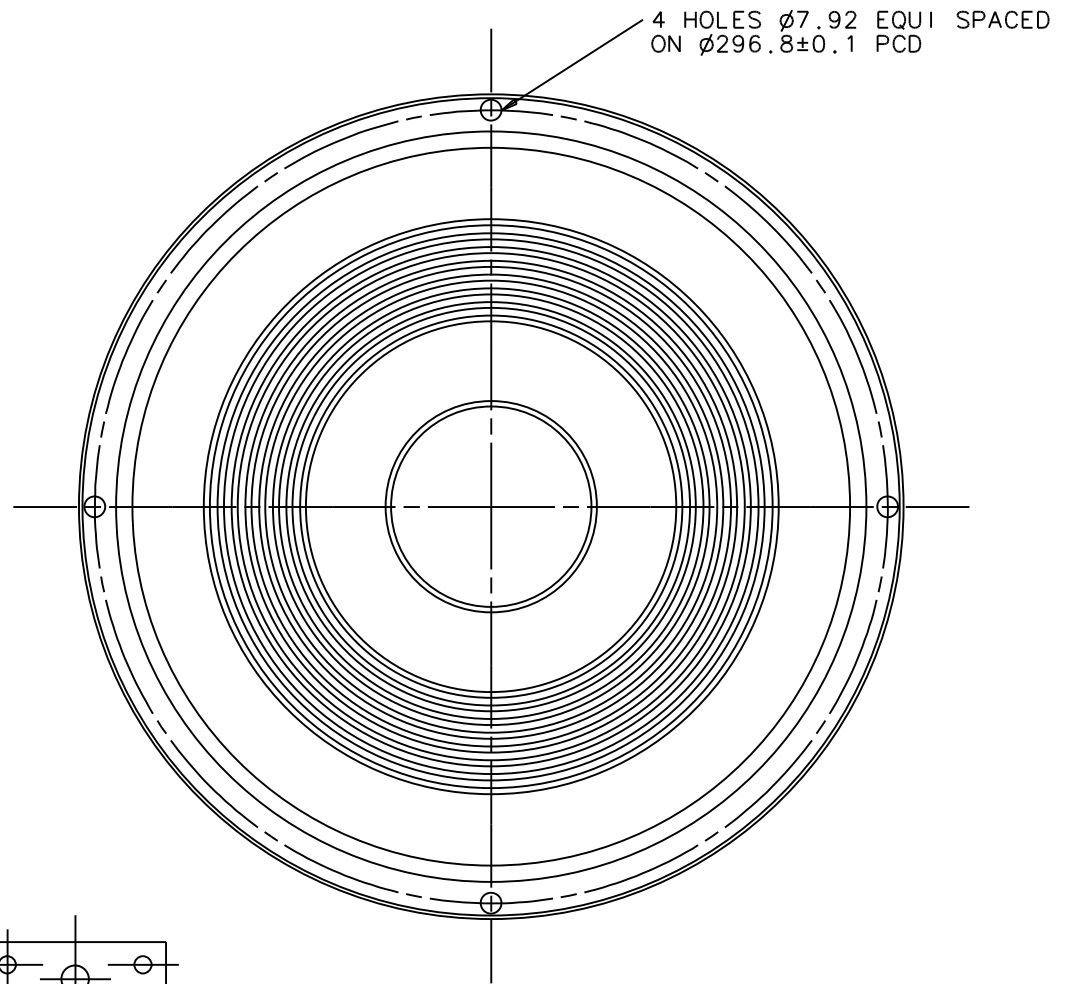
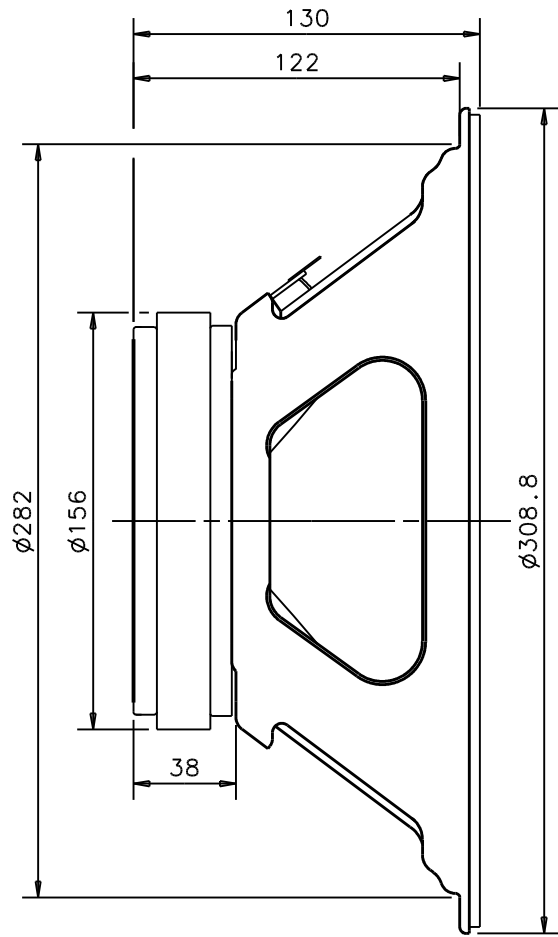
200Hz - 1500Hz ± 1 dB

1500Hz - 5000Hz ± 2 dB.

RELIABILITY TEST

| TEST ITEM | TEST CONDITION | Determination on test result |
|-------------------------|--|---|
| SWEEP TEST | Sine wave 6V, 20Hz - 20kHz Auto sweep time : 2.5 sec Manual sweep (20Hz - 20kHz) | Sound to be free of audible rub and buzz |
| POWER TEST | INT2013-V2 20Hz - 20KHz | Sweep test. Appearance check. Measured Fo and SPL 1 hour after the end of the test. |
| LONGEVITY TEST | N/A | N/A |
| HIGH TEMP STORE TEST | 70□, 28 hours INT2035 | Sweep test. Appearance check. Measured Fo and SPL 1 hour after the end of the test. |
| LOW TEMP STORE TEST | -20□, 28 hours INT2035 | Sweep test. Appearance check. Measured Fo and SPL 1 hour after the end of the test. |
| HUMIDITY TEST | 40□, 95 % humidity, 24 hours | Sweep test. Appearance check. Measured Fo and SPL 1 hour after the end of the test. |
| DROP TEST | INT2003_V3 | Sweep Test. Appearance check. |

REMARKS:

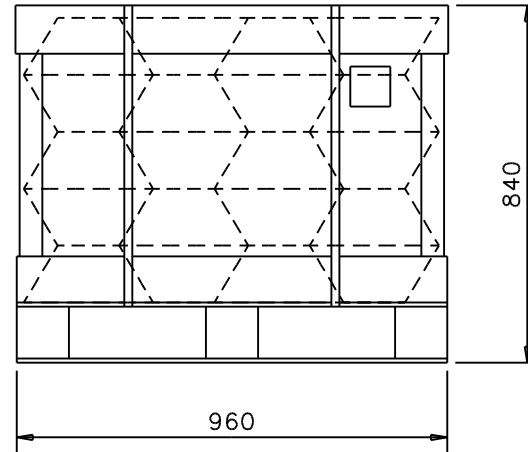
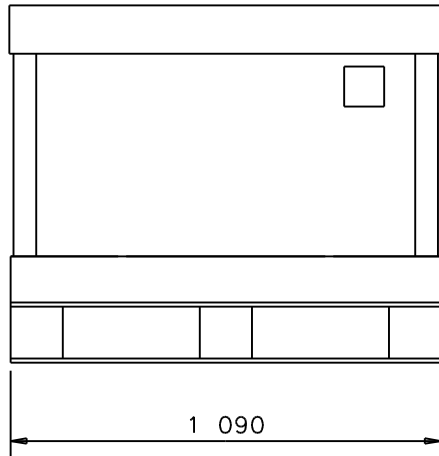
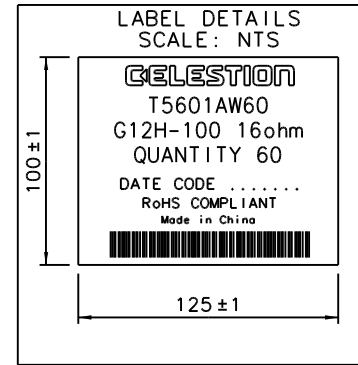
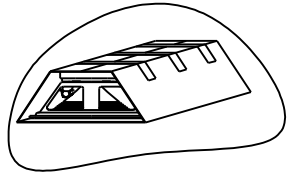


UNIT WEIGHT 4.5kg

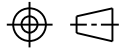

SCALE
NTS AT A3

DRAWN TO BS8888

SHEET
4 OF 5



GROSS WEIGHT 282kg

| | | |
|--------------------|--|-----------------|
| SCALE NTS AT A3 |  DRAWN TO BS8888  | SHEET 5 OF 5 |
|--------------------|--|-----------------|