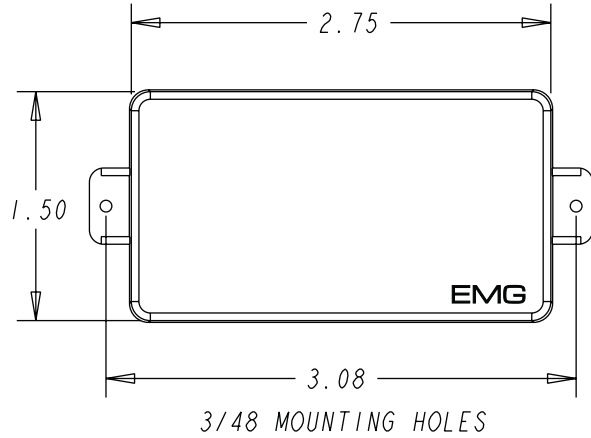


# EMG

P.O. BOX 4394  
SANTA ROSA, CA  
95402 U.S.A.  
PH (707) 525-9941  
FX (707) 575-7046  
www.emgpickups.com



## INSTALLATION INFORMATION

**EMG Model: EMG-KFK Set  
Kerry King Set**

### SPECIFICATIONS:

### MODEL:

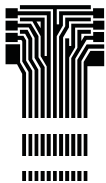
### MODEL:

	81	85		PA2
Preferred Pickup Placement	Bridge	Neck	Input Impedance (Ohms)	500K
Logo Color	Silver	Gold	Output Noise@ 60Hz	-91 dbV
Magnet Type	C/S	Alnico	Output Noise(Spectral)	-130 dbV
Resonant Frequency (KHz)	2.00	2.45	Output Impedance (Ohms)	2K
Output Voltage (String)	2.0	2.1	Current@ 9V (Microamps)	290
Output Voltage (Strum)	4.5	4.5	Battery Life (Hours)	1725
Output Noise@ 60Hz	-91	-89	Maximum Supply (Volts DC)	27
Output Impedance (Kohm)	10	10		
Current@ 9V (Microamps) (System)	160			
Battery Life (Hours) (System)	1500			
Maximum Supply (Volts DC)	27			

Note: Magnet Type: A (Alnico)  
C/S (Ceramic/Steel)

### IMPORTANT INSTALLATION NOTES:

- 1) **Only one battery is required for the pickups, and any active accessories such as the SPC, RPC, EXG, AB, PA-2, and Pi-2.** shielded internally and DO NOT require string grounding. This greatly reduces the possibility of reverse polarity shock from microphones and other equipment
- 2) Use an Alkaline or Lithium battery for longest life.
- 3) The controls included with EMG Systems are 25K Ohm, Audio Taper. This value of control is required for the system to work correctly.
- 4) When installing EMG Active Pickups, DO NOT connect the bridge ground wire. This wire is usually soldered to a volume or tone control casing and goes to the bridge. This wire grounds the strings and uses them and your body as a shield against hum and buzz. It also creates a shock hazard. EMG Pickups are
- 5) EMG Active Pickups have very little magnetism compared to passive pickups. We recommend you adjust the pickups as close to the strings as possible. Sustain and string movement will not be inhibited by close adjustment.
- 6) If your installation is different from the diagrams in these instructions or you need additional diagrams visit our website: [emgpickups.com](http://emgpickups.com) for a complete listing of available diagrams.



# EMG

P.O. BOX 4394  
SANTA ROSA, CA  
95402 U.S.A.  
PH (707) 525-9941  
FX (707) 575-7046  
www.emgpickups.com

### Warranty:

All EMG Pickups and accessories are warranted for a period of two years. This warranty does not cover failure due to improper installation, abuse or damage. If at any time a pickup fails to work, return it postage prepaid with proof of purchase. Warranty replacement products are covered by this same warranty. This warranty covers only those pickups and accessories sold by authorized EMG Dealers. This warranty is not transferable.

