

# MACKIE®

## C200/SRM350

### Bracket Kit Installation Instructions

This Bracket Kit allows the C200 and SRM350 loudspeakers to be flown in an overhead rigging system. The kit contains all the necessary hardware to suspend one loudspeaker vertically. You will need two Bracket Kits to suspend a loudspeaker horizontally.

**WARNING: DO NOT USE THIS BRACKET KIT ON ANY LOUDSPEAKER OTHER THAN THE C200 AND SRM350.**

Suspending anything, especially overhead of people, should be done with extreme caution. Always engage the services of a certified professional who is qualified to determine the requirements for, and to implement, overhead rigging. Only persons with the knowledge of proper hardware and safe rigging techniques should attempt to suspend loudspeaker systems overhead. **Failure to follow these precautions may result in equipment damage, injury, or death.**

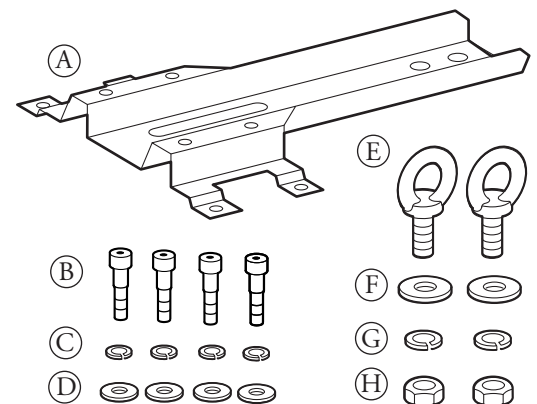
### Tools Required:

- One Phillips screwdriver
- One 4 mm Allen head wrench

#### C200 and SRM350 Bracket Kit (Part No. 0016404)

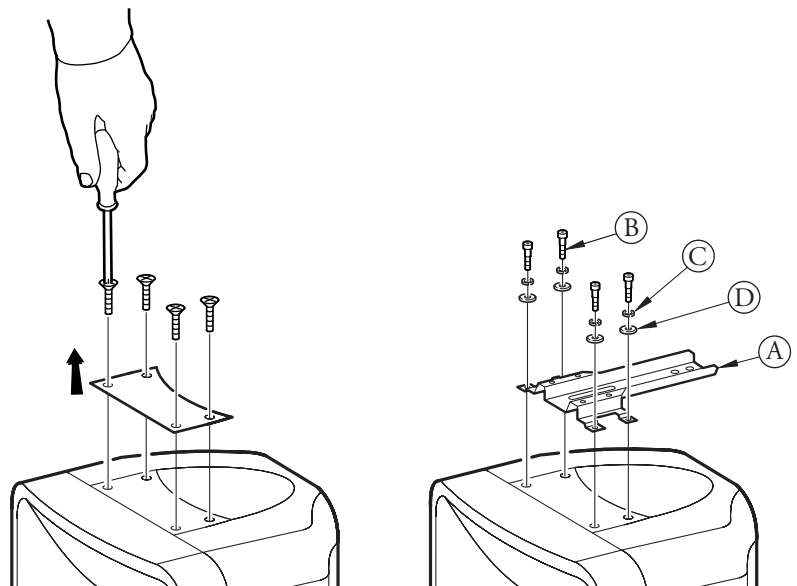
##### Parts List

Item	Part No.	Qty	Description
A	0015701	1	Bracket, Hanging SRM350
B	0016416	4	Screw, M5 x 12mm, Lg Blk
C	0016417	4	Washer, Split Lock, M5 Blk
D	0010024	4	Washer, Flat, M5 Blk
E	0015629	2	Eyebolt, M10
F	105056	2	Washer, Flat, M10 Blk
G	105058	2	Washer, Split Lock, M10 Blk
H	0016429	2	Nut, Hex, M10
	0016401	1	Instruction Sheet (this sheet, not shown)



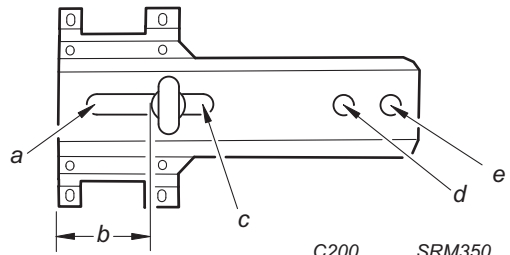
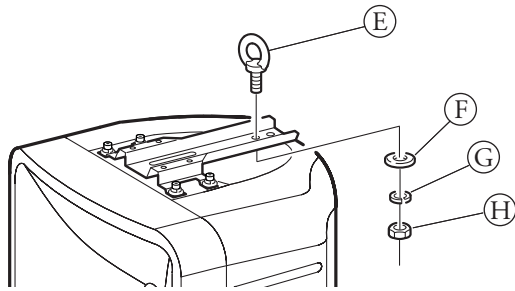
#### Suspending the loudspeaker vertically:

1. Remove handle by unfastening the 4 flat head screws from the top of the loudspeaker. Retain the handle and screws for possible future installation.
2. Position the Bracket (A) onto the top of the loudspeaker.
3. Insert the 4 Screws (B), Lock Washers (C) and Flat Washers (D) thru the outer mounting holes of the Bracket, into the threaded inserts in the loudspeaker and tighten. Use a 4 mm Allen head wrench.



4. **Attaching the Eyebolt:**

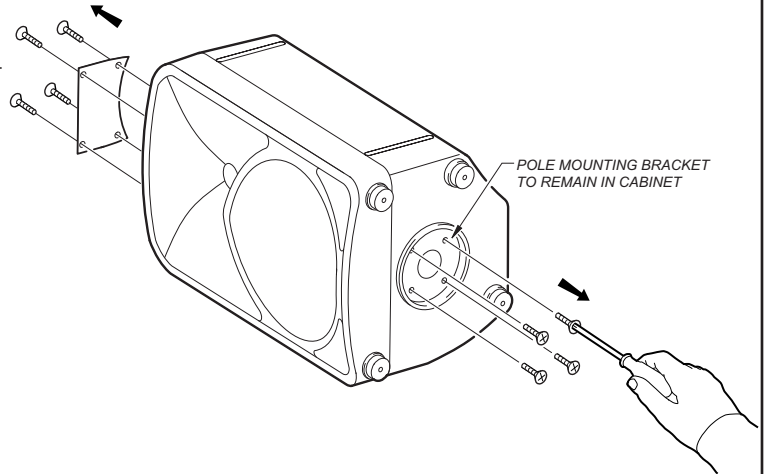
The table indicates loudspeaker aiming angles to Eyebolt (E) positions. A negative angle means the loudspeaker is aimed upwards.



	C200	SRM350
a	-4°	a -7°
b	0°	b 0°
c	7°	c 4°
d	17°	d 12°
e	22°	e 18°

**Suspending the loudspeaker horizontally:**

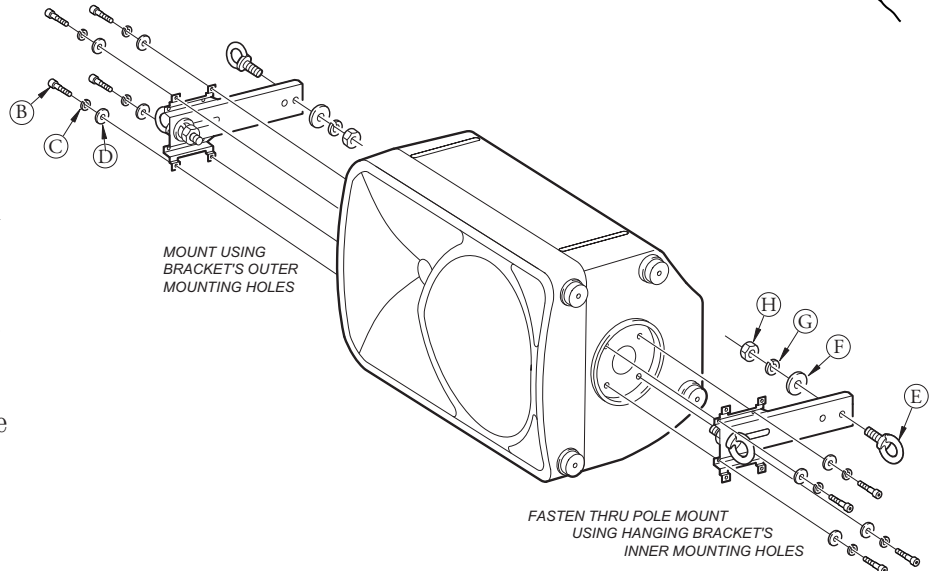
- When suspending horizontally, attach a Hanging Bracket to both the top and bottom of the loudspeaker. Follow step 1 for removing the 4 flat head screws and handle from the top side of the loudspeaker. From the bottom side, remove the 4 screws that hold the pole mounting bracket. The pole mounting bracket must remain on the loudspeaker as it will be reattached when the Hanging Bracket is installed.
- Attach a Hanging Bracket to the top side of the loudspeaker by following steps 2 and 3.



- Install 2 Eyebolts to top side Hanging Bracket in "a" and "e" position (see step 4).
- Similarly, attach a Hanging Bracket to the bottom side of the loudspeaker noting these differences:

- Install the 2 Eyebolts (E) into the Hanging Bracket in positions "a" and "e" (see step 4) before assembling it onto the loudspeaker.
- Use the Hanging Bracket's 4 inner mounting holes.
- Position the 4 inner mounting hole tabs toward the loudspeaker.

- Adjust the aiming angle by adjusting the cabling to the 4 Eyebolts.



**MACKIE®**

LOUD Technologies Inc. • 16220 Wood-Red Road NE  
 Woodinville • WA • 98072 • 800/258-6883  
 Outside the U.S. call 425/487-4333 • FAX 425/487-4337