



PLATEWORKS™

Wallplate Cookbook



Table of Contents

Instructions I

Sample Order Template III

Sample Finished Product Layout IV

Wallplate Cookbook Engraving Schedule V

Order Templates

TYPE A 1 Gang / 1 Connector (Centered Only)..... A

TYPE B 1 Gang / 1-2 Connectors..... B

TYPE C 2 Gang / 1 Connector (Centered Only)..... C

TYPE D 2 Gang / 1-2 Connectors..... D

TYPE E 2 Gang / 1-4 Connectors..... E

TYPE F 3 Gang / 1-3 Connectors..... F

TYPE G 3 Gang / 1-6 Connectors..... G

TYPE H 4 Gang / 1-4 Connectors..... H

TYPE I 4 Gang / 1-8 Connectors..... I

TYPE J 5 Gang / 1-5 Connectors..... J

TYPE K 5 Gang / 1-10 Connectors..... K

Connector Menu

C-1 to G-13 C-1

H-1 to P-2 C-2

P-3 to S-2 C-3

T-1 to Z-5 C-4

Wallplate Material Pricing Guide Golden Rod*

Connector Menu Pricing Guide..... Golden Rod*

Various Options Pricing Guide..... Golden Rod*

All Wallplates are NEMA standard (Box Mount).



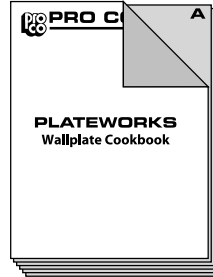
Instructions I

IMPORTANT: Read this before using the Cookbook

How to order Wallplates using the Wallplate Cookbook™:

1. Locate the type of plate desired from the Wallplate Cookbook™ (Type "A" thru "K" available).

ATTENTION: Do not write on the templates enclosed! Please PHOTOCOPY the order template sheets desired and return the originals to your product binder. Each unique configuration requires its own template sheet.



2. Complete the customer information on the top of the order template copies. (Orders cannot be processed without complete information including purchase order number.)

PLATEWORKS™ Wallplate Cookbook™ Type A
Order Template

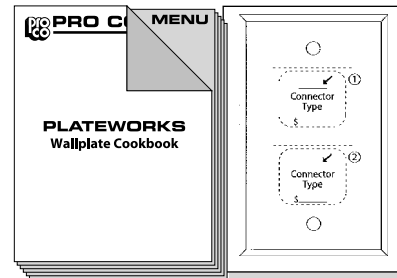
Order Date: _____ Company Name: _____
 City/State/ZIP: _____ Your Name: _____
 Phone: _____ Fax: _____ Email: _____
 P.O.#: _____ Pro Co Work Order # _____ Promised Ship Date: _____

3. Indicate desired plate material in the space provided.

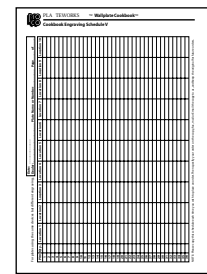
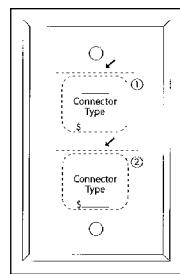
Plate Material

Painted Steel Choose Color: White Ivory
 Kydex Choose Color: White Ivory
 Stainless Steel, Brushed
 Brushed Brass, Satin Finish
 .060" Economy Brushed Aluminum
 Choose Color: Black Clear
 1/8" Brushed Aluminum, Beveled Edge
 Choose Color: Black Clear Bronze* Gold*
 * Special order (requires extra time). Order all Bronze and Gold at one time to assure color consistency.

4. Select desired connector(s) from the **Connector Menu**. Place the appropriate **Connector Designation** letter(s) in the **Connector Type** space provided on the blank wallplate diagram where you wish the connector to be located on your finished plates. If you are ordering wallplates punched **without** connectors included, you must specify the connector type(s) from the connector menu. (**Warning:** Use the Connector Designation: A-1, Z-1, etc., not the connector's part number. This will ensure proper hole punching.) On the plates with two connectors per gang, leaving a connector type not specified will cause the other connector in the gang to be centered vertically. Writing "leave blank" will keep the other connector in the gang, in its specified location.



5. Indicate the desired text in the space provided above Connector Type. Up to 10 characters maximum per connector location is allowable**.
6. **If devices remain the same but engraving changes, copy and fill out Engraving Schedule and send with the templates.**



How to figure an estimate for your Wallplates: See next page



Instructions II

IMPORTANT: Read this before using the Cookbook

How to figure an estimate for your Wallplates:

- 1. Locate the price of the plates you have selected on the goldenrod **Wallplate Cookbook™ Wallplate Material Pricing Guide***. (Note that prices vary depending on plate material desired.)

Enter the price next to "Plate" in the lower right section of your photocopied **Order Template**.

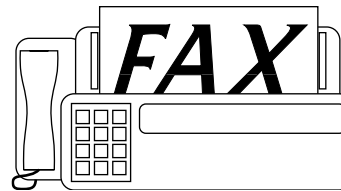
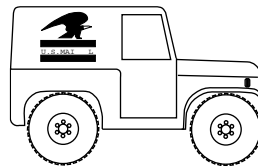
- 2. Locate the price(s) of the connector(s) you have selected on the goldenrod **Wallplate Cookbook™ Connector Menu Pricing Guide** and enter below the "connector type." Add up the total and enter the total next to "Total Connectors" in the lower right section of your **Order Template**. If the plate is being ordered with no connector(s), write "0" in this location.

- 3. To arrive at a total estimate for your wallplate, add the figures for "Plate" and "Total Connectors" and enter the sum next to "Total Each" in the lower right section of your **Order Template**. Indicate total "Quantity Required" on the **Template**.

| Fill in for cost of your plate | |
|--------------------------------|----|
| Plate | \$ |
| Total Connectors | \$ |
| Total Each | \$ |

- 4. Your **Order Templates** are now complete. Please mail, Fax or Email your order to:

Pro Co Commercial Division
 225 Parsons Street
 Kalamazoo, Michigan 49007
 Fax: 269/388-9681



* Pricing applies to wallplates configured as shown with connectors chosen from the connector menu only.
 ** Pro Co reserves the right to make changes in text location if necessary.



Instructions III

Quote No.: _____

Order Date: 9 / 20 / 2002 Company Name: Sound Co.
City/State/ZIP: Middletown, IN 60649 Your Name: Bob Sound
Phone: 219-555-4567 Fax: 219-555-4578 Email: Bob@turnitup.com

P.O.#: _____ Pro Co Work Order # _____ Promised Ship Date: _____

IMPORTANT: Please copy this Template each time you wish to place an order. Then specify your order on the copy, fax, mail or Email the copy to us, and keep this original sheet for future orders.

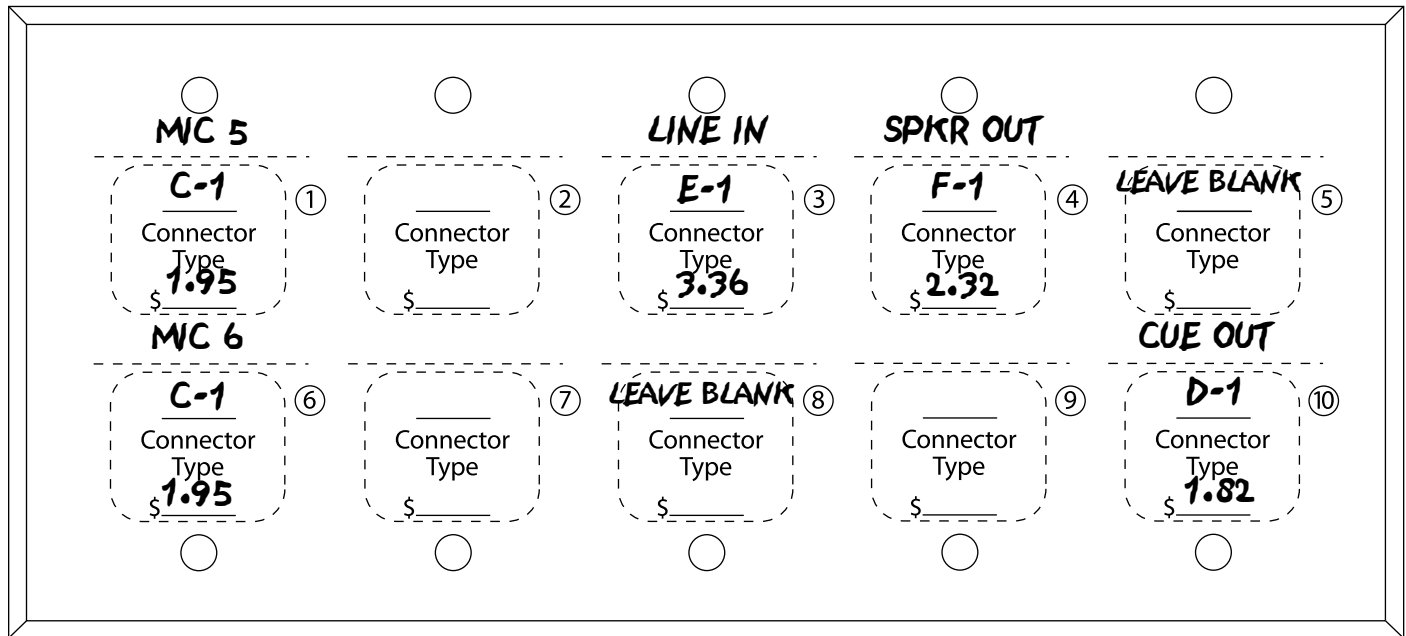
Please indicate connector type(s) and specify text required in the areas provided.

NOTE: If devices remain the same and only engraving changes, please copy and use engraving schedule.

Plate Material

- Painted Steel Choose Color: White Ivory
- Kydex Choose Color: White Ivory
- Stainless Steel, Brushed
- Brushed Brass, Satin Finish
- .060" Economy Brushed Aluminum
Choose Color: Black Clear
- 1/8" Brushed Aluminum, Beveled Edge
Choose Color: Black Clear Bronze Gold

Up to 10 characters of engraving per connector



PLATEWORKS™ "Type K" Wallplate NEMA Standard 5-Gang Scale: ≈ .75:1

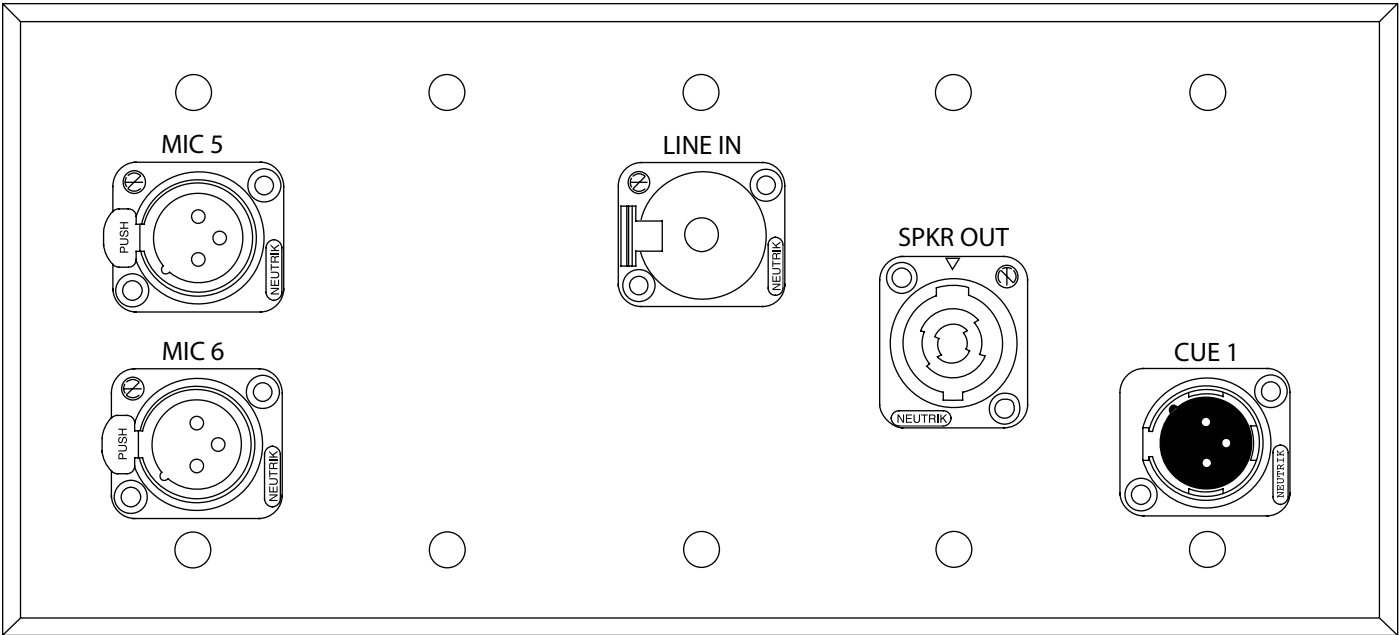
Quantity Required: 1
Plate Name or Number: "MIC 5"
Desired on Site Date: 5 / 1 / 2003

Fill in for cost of your plate

| | |
|------------------------|---------|
| Plate | \$56.00 |
| Total Connectors | \$11.40 |
| Total Each | \$67.40 |



Sample Finished Product Layout IV
as specified on Sample Order Template



This drawing represents what the 5 gang wallplate (Type K) would look like as it was specified on the sample order template.

5 Gang Plate - Stainless Steel

Gang 1 - (2) NC3FDL-1 (C-1 in Connector Menu) Connectors with Specified Engraving

Gang 2 - No Punch, No Connectors, No Engraving

Gang 3 - (1) NJ3FP6C (E-1 in Connector Menu) Connector with Specified Engraving and lower location left blank

Gang 4 - (1) NL4MP (F-1 in Connector Menu) "Centered" with Specified Engraving

Gang 5 - Upper location left blank and (1) NC3MDL-1 (D-1 in Connector Menu) Connector with Specified Engraving



Date: _____ Plate Name or Number _____ Page _____ of _____
 Dealer: _____

For plates using the same devices but different engraving.

| Plt# | Qty. | Location 1 | Location 2 | Location 3 | Location 4 | Location 5 | Location 6 | Location 7 | Location 8 | Location 9 | Location 10 |
|------|------|------------|------------|------------|------------|------------|------------|------------|------------|------------|-------------|
| 1 | | | | | | | | | | | |
| 2 | | | | | | | | | | | |
| 3 | | | | | | | | | | | |
| 4 | | | | | | | | | | | |
| 5 | | | | | | | | | | | |
| 6 | | | | | | | | | | | |
| 7 | | | | | | | | | | | |
| 8 | | | | | | | | | | | |
| 9 | | | | | | | | | | | |
| 10 | | | | | | | | | | | |
| 11 | | | | | | | | | | | |
| 12 | | | | | | | | | | | |
| 13 | | | | | | | | | | | |
| 14 | | | | | | | | | | | |
| 15 | | | | | | | | | | | |
| 16 | | | | | | | | | | | |
| 17 | | | | | | | | | | | |
| 18 | | | | | | | | | | | |
| 19 | | | | | | | | | | | |
| 20 | | | | | | | | | | | |
| 21 | | | | | | | | | | | |
| 22 | | | | | | | | | | | |
| 23 | | | | | | | | | | | |
| 24 | | | | | | | | | | | |
| 25 | | | | | | | | | | | |
| 26 | | | | | | | | | | | |
| 27 | | | | | | | | | | | |
| 28 | | | | | | | | | | | |
| 29 | | | | | | | | | | | |
| 30 | | | | | | | | | | | |
| 31 | | | | | | | | | | | |
| 32 | | | | | | | | | | | |
| 33 | | | | | | | | | | | |
| 34 | | | | | | | | | | | |
| 35 | | | | | | | | | | | |
| 36 | | | | | | | | | | | |

NOTE: Please copy this schedule each time you wish to place an order. Then specify your order on the copy, fax, mail or Email the copy to us, and keep the original for future orders.



Order Template

Quote No.: _____

Order Date: ____/____/____ Company Name: _____

City/State/ZIP: _____ Your Name: _____

Phone: _____ Fax: _____ Email: _____

P.O.#: _____ Pro Co Work Order # _____ Promised Ship Date: _____

IMPORTANT: Please copy this Template each time you wish to place an order. Then specify your order on the copy, fax, mail or Email the copy to us, and keep this original sheet for future orders.

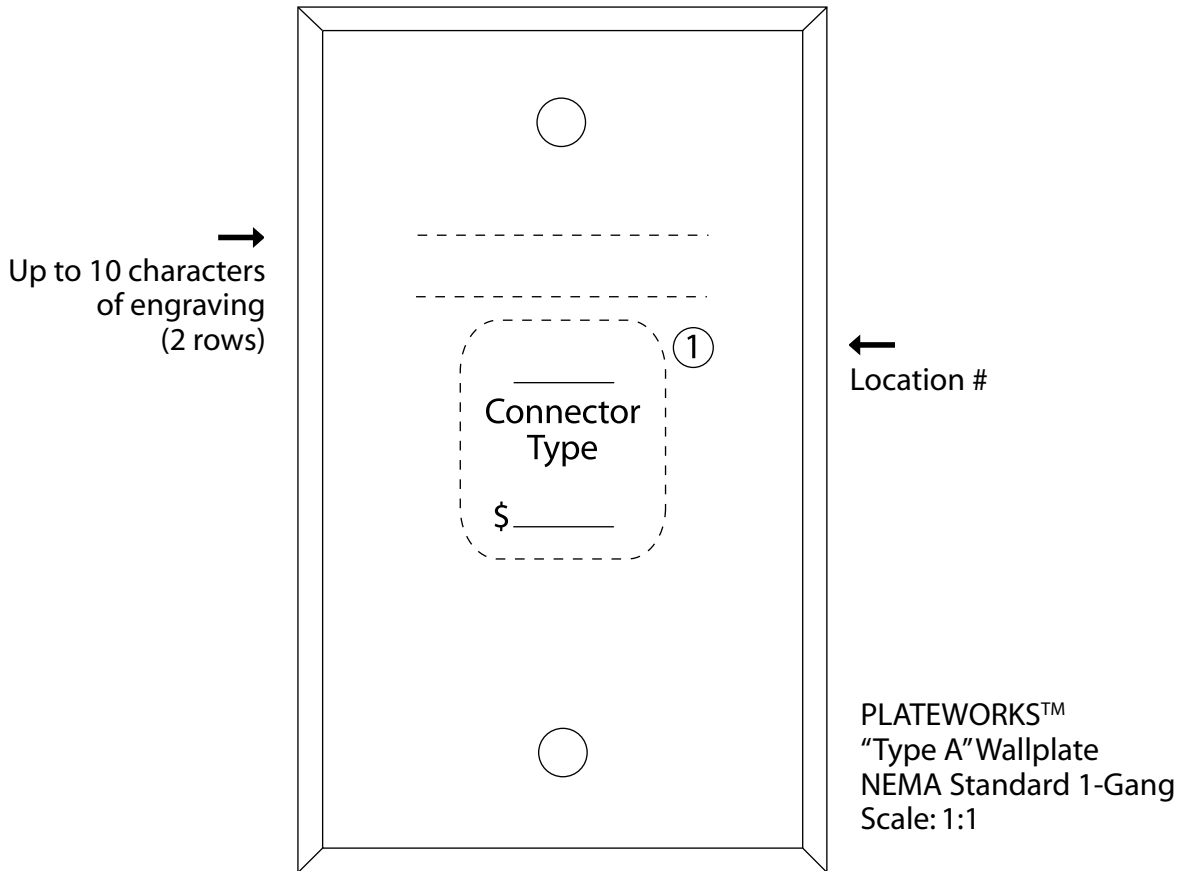
Please indicate connector type(s) and specify text required in the areas provided.

NOTE: If devices remain the same and only engraving changes, please copy and use engraving schedule.

See Engraving Schedule

Plate Material

- Painted Steel Choose Color: White Ivory
 - Kydex Choose Color: White Ivory
 - Stainless Steel, Brushed
 - Brushed Brass, Satin Finish
 - .060" Economy Brushed Aluminum
Choose Color: Black Clear
 - 1/8" Brushed Aluminum, Beveled Edge
Choose Color: Black Clear Bronze* Gold*
- * Special order (requires extra time). Order all Bronze and Gold at one time to assure color consistency.



Fill in for cost of your plate

Quantity Required: _____

Plate Name or Number: _____

Desired on Site Date: ____/____/____

| | |
|------------------------|----|
| Plate | \$ |
| Total Connectors | \$ |
| Total Each | \$ |



Order Template

Quote No.: _____

Order Date: ____/____/____ Company Name: _____

City/State/ZIP: _____ Your Name: _____

Phone: _____ Fax: _____ Email: _____

P.O.#: _____ Pro Co Work Order # _____ Promised Ship Date: _____

IMPORTANT: Please copy this Template each time you wish to place an order. Then specify your order on the copy, fax, mail or Email the copy to us, and keep this original sheet for future orders.

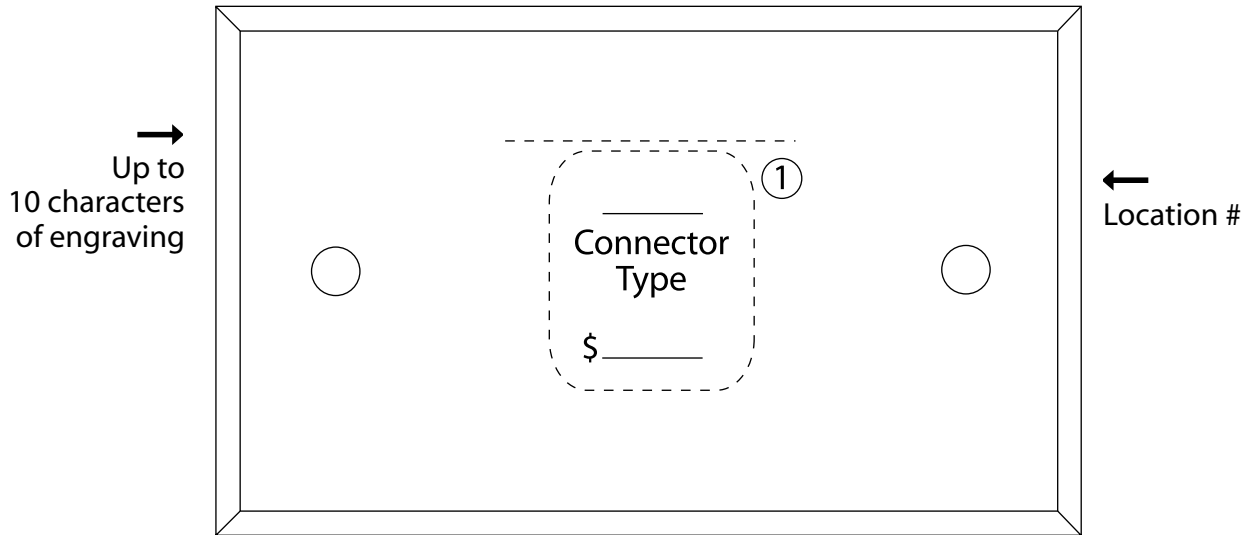
Please indicate connector type(s) and specify text required in the areas provided.

NOTE: If devices remain the same and only engraving changes, please copy and use engraving schedule.

See Engraving Schedule

Plate Material

- Painted Steel Choose Color: White Ivory
 - Kydex Choose Color: White Ivory
 - Stainless Steel, Brushed
 - Brushed Brass, Satin Finish
 - .060" Economy Brushed Aluminum
Choose Color: Black Clear
 - 1/8" Brushed Aluminum, Beveled Edge
Choose Color: Black Clear Bronze* Gold*
- * Special order (requires extra time). Order all Bronze and Gold at one time to assure color consistency.



PLATEWORKS™ "Type A" Wallplate NEMA Standard 1-Gang
Scale: 1:1

Quantity Required: _____

Plate Name or Number: _____

Desired on Site Date: ____/____/____

Fill in for cost of your plate

| | |
|------------------------|----|
| Plate | \$ |
| Total Connectors | \$ |
| Total Each | \$ |



Order Template

Quote No.: _____

Order Date: ____/____/____ Company Name: _____

City/State/ZIP: _____ Your Name: _____

Phone: _____ Fax: _____ Email: _____

P.O.#: _____ Pro Co Work Order # _____ Promised Ship Date: _____

IMPORTANT: Please copy this Template each time you wish to place an order. Then specify your order on the copy, fax, mail or Email the copy to us, and keep this original sheet for future orders.

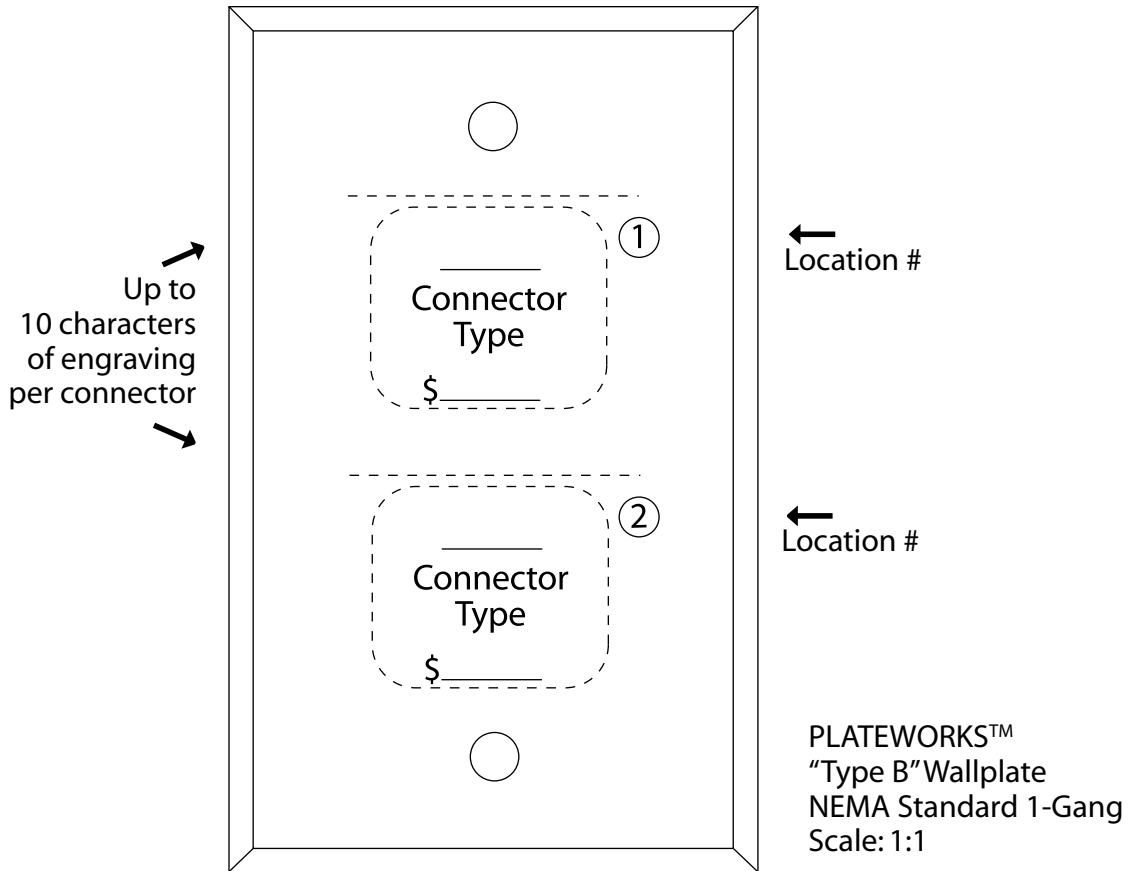
Please indicate connector type(s) and specify text required in the areas provided.

NOTE: If devices remain the same and only engraving changes, please copy and use engraving schedule.

See Engraving Schedule

Plate Material

- Painted Steel Choose Color: White Ivory
 - Kydex Choose Color: White Ivory
 - Stainless Steel, Brushed
 - Brushed Brass, Satin Finish
 - .060" Economy Brushed Aluminum
Choose Color: Black Clear
 - 1/8" Brushed Aluminum, Beveled Edge
Choose Color: Black Clear Bronze* Gold*
- * Special order (requires extra time). Order all Bronze and Gold at one time to assure color consistency.



Quantity Required: _____

Plate Name or Number: _____

Desired on Site Date: ____/____/____

Fill in for cost of your plate

| | |
|------------------------|----|
| Plate | \$ |
| Total Connectors | \$ |
| Total Each..... | \$ |



Order Template

Quote No.: _____

Order Date: ____/____/____ Company Name: _____

City/State/ZIP: _____ Your Name: _____

Phone: _____ Fax: _____ Email: _____

P.O.#: _____ Pro Co Work Order # _____ Promised Ship Date: _____

IMPORTANT: Please copy this Template each time you wish to place an order. Then specify your order on the copy, fax, mail or Email the copy to us, and keep this original sheet for future orders.

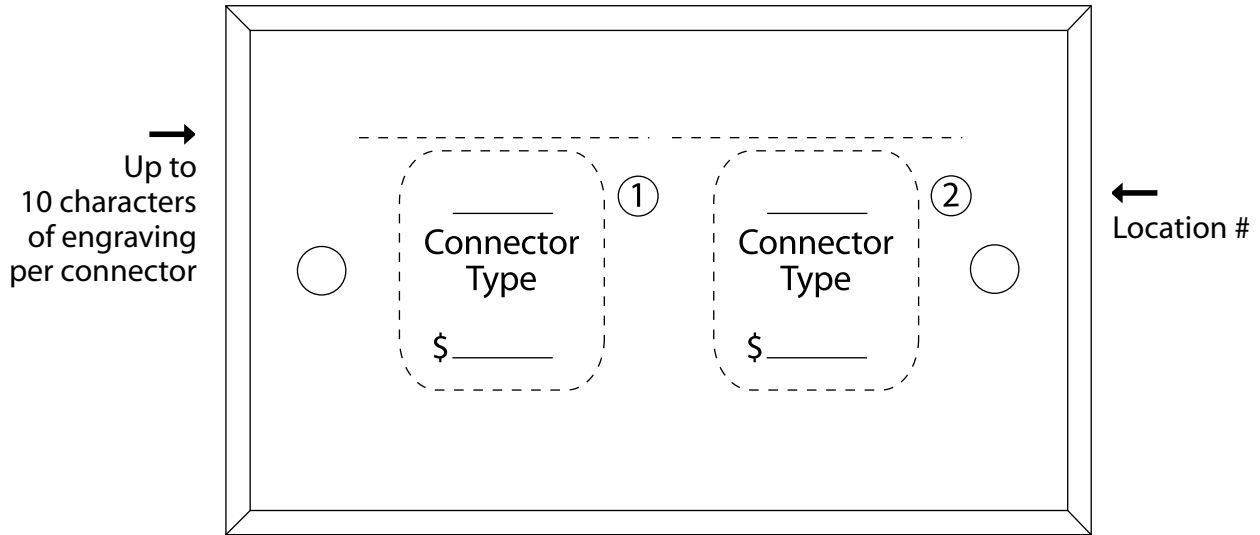
Please indicate connector type(s) and specify text required in the areas provided.

NOTE: If devices remain the same and only engraving changes, please copy and use engraving schedule.

See Engraving Schedule

Plate Material

- Painted Steel Choose Color: White Ivory
 - Kydex Choose Color: White Ivory
 - Stainless Steel, Brushed
 - Brushed Brass, Satin Finish
 - .060" Economy Brushed Aluminum
Choose Color: Black Clear
 - 1/8" Brushed Aluminum, Beveled Edge
Choose Color: Black Clear Bronze* Gold*
- * Special order (requires extra time). Order all Bronze and Gold at one time to assure color consistency.



PLATEWORKS™ "Type B" Wallplate NEMA Standard 1-Gang
Scale: 1:1

Quantity Required: _____

Plate Name or Number: _____

Desired on Site Date: ____/____/____

Fill in for cost of your plate

| | |
|------------------------|----|
| Plate | \$ |
| Total Connectors | \$ |
| Total Each | \$ |



Order Template

Quote No.: _____

Order Date: ____/____/____ Company Name: _____

City/State/ZIP: _____ Your Name: _____

Phone: _____ Fax: _____ Email: _____

P.O.#: _____ Pro Co Work Order # _____ Promised Ship Date: _____

IMPORTANT: Please copy this Template each time you wish to place an order. Then specify your order on the copy, fax, mail or Email the copy to us, and keep this original sheet for future orders.

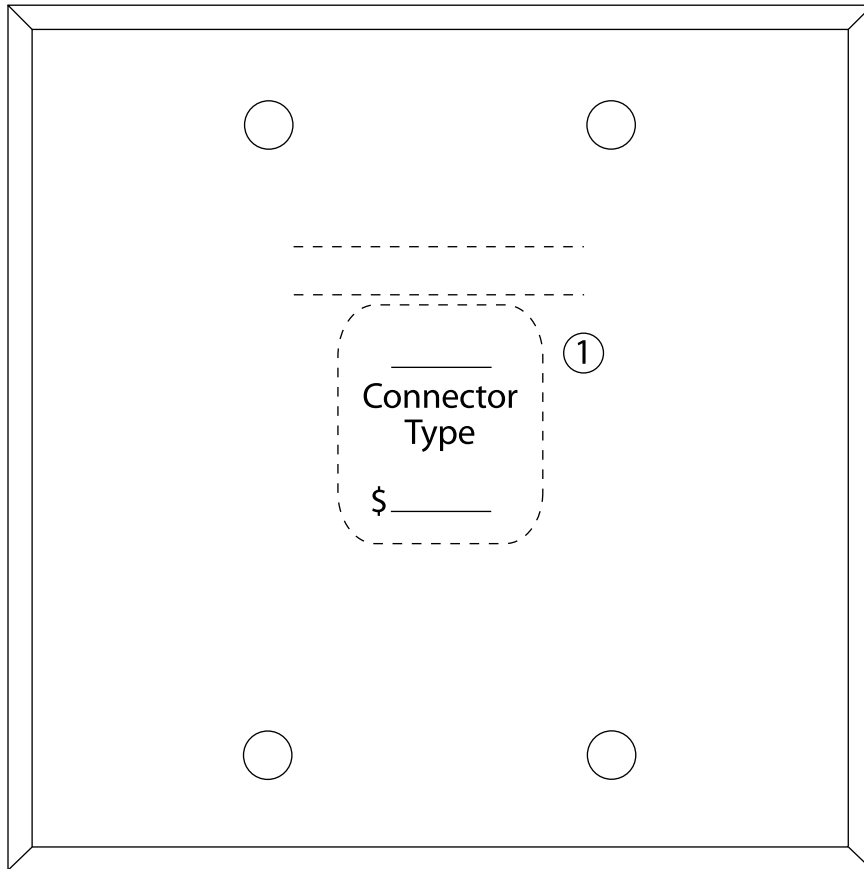
Please indicate connector type(s) and specify text required in the areas provided.

NOTE: If devices remain the same and only engraving changes, please copy and use engraving schedule.

See Engraving Schedule

Plate Material

- Painted Steel Choose Color: White Ivory
 - Kydex Choose Color: White Ivory
 - Stainless Steel, Brushed
 - Brushed Brass, Satin Finish
 - .060" Economy Brushed Aluminum
Choose Color: Black Clear
 - 1/8" Brushed Aluminum, Beveled Edge
Choose Color: Black Clear Bronze* Gold*
- * Special order (requires extra time). Order all Bronze and Gold at one time to assure color consistency.



PLATEWORKS™
"Type C" Wallplate
NEMA Standard
2-Gang
Scale: 1:1

Fill in for cost of your plate

Quantity Required: _____

Plate Name or Number: _____

Desired on Site Date: ____/____/____

| | |
|------------------------|----|
| Plate | \$ |
| Total Connectors | \$ |
| Total Each..... | \$ |



Order Template

Quote No.: _____

Order Date: ____/____/____ Company Name: _____

City/State/ZIP: _____ Your Name: _____

Phone: _____ Fax: _____ Email: _____

P.O.#: _____ Pro Co Work Order # _____ Promised Ship Date: _____

IMPORTANT: Please copy this Template each time you wish to place an order. Then specify your order on the copy, fax, mail or Email the copy to us, and keep this original sheet for future orders.

Please indicate connector type(s) and specify text required in the areas provided.

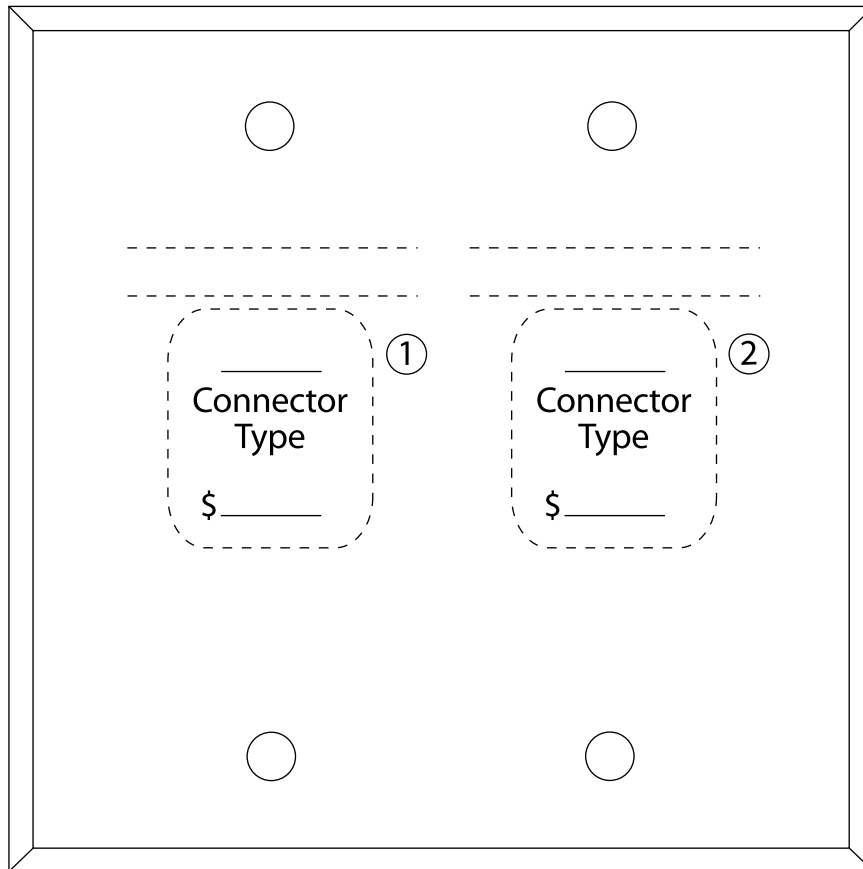
NOTE: If devices remain the same and only engraving changes, please copy and use engraving schedule.

See Engraving Schedule

Plate Material

- Painted Steel Choose Color: White Ivory
 - Kydex Choose Color: White Ivory
 - Stainless Steel, Brushed
 - Brushed Brass, Satin Finish
 - .060" Economy Brushed Aluminum
Choose Color: Black Clear
 - 1/8" Brushed Aluminum, Beveled Edge
Choose Color: Black Clear Bronze* Gold*
- * Special order (requires extra time). Order all Bronze and Gold at one time to assure color consistency.

→
Up to
10 characters
of engraving
per connector
(2 rows)



←
Location #

PLATEWORKS™
"Type D" Wallplate
NEMA Standard
2-Gang
Scale: 1:1

Fill in for cost of your plate

Quantity Required: _____

Plate Name or Number: _____

Desired on Site Date: ____/____/____

| | |
|------------------------|----|
| Plate | \$ |
| Total Connectors | \$ |
| Total Each | \$ |



Order Template

Quote No.: _____

Order Date: ____/____/____ Company Name: _____

City/State/ZIP: _____ Your Name: _____

Phone: _____ Fax: _____ Email: _____

P.O.#: _____ Pro Co Work Order # _____ Promised Ship Date: _____

IMPORTANT: Please copy this Template each time you wish to place an order. Then specify your order on the copy, fax, mail or Email the copy to us, and keep this original sheet for future orders.

Please indicate connector type(s) and specify text required in the areas provided.

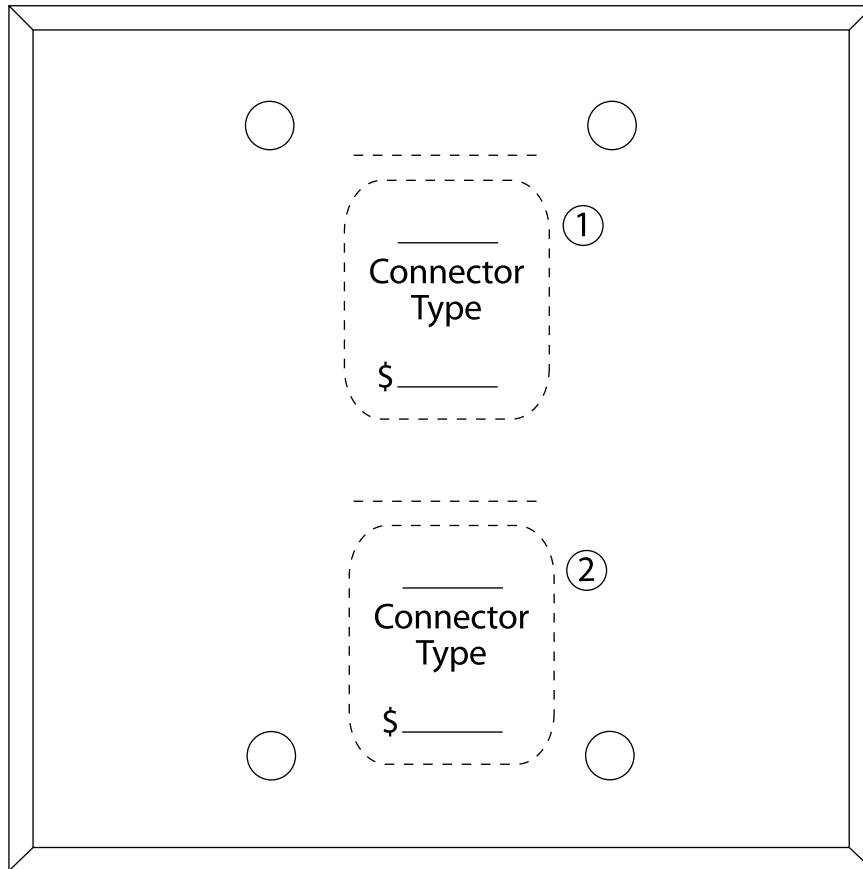
NOTE: If devices remain the same and only engraving changes, please copy and use engraving schedule.

See Engraving Schedule

Plate Material

- Painted Steel Choose Color: White Ivory
 - Kydex Choose Color: White Ivory
 - Stainless Steel, Brushed
 - Brushed Brass, Satin Finish
 - .060" Economy Brushed Aluminum
Choose Color: Black Clear
 - 1/8" Brushed Aluminum, Beveled Edge
Choose Color: Black Clear Bronze* Gold*
- * Special order (requires extra time). Order all Bronze and Gold at one time to assure color consistency.

→
Up to
10 characters
of engraving
per connector
(2 rows)



←
Location #

PLATEWORKS™
"Type D" Wallplate
NEMA Standard
2-Gang
Scale: 1:1

Fill in for cost of your plate

Quantity Required: _____

Plate Name or Number: _____

Desired on Site Date: ____/____/____

| | |
|------------------------|----|
| Plate | \$ |
| Total Connectors | \$ |
| Total Each | \$ |



Order Template

Quote No.: _____

Order Date: ____/____/____ Company Name: _____

City/State/ZIP: _____ Your Name: _____

Phone: _____ Fax: _____ Email: _____

P.O.#: _____ Pro Co Work Order # _____ Promised Ship Date: _____

IMPORTANT: Please copy this Template each time you wish to place an order. Then specify your order on the copy, fax, mail or Email the copy to us, and keep this original sheet for future orders.

Please indicate connector type(s) and specify text required in the areas provided.

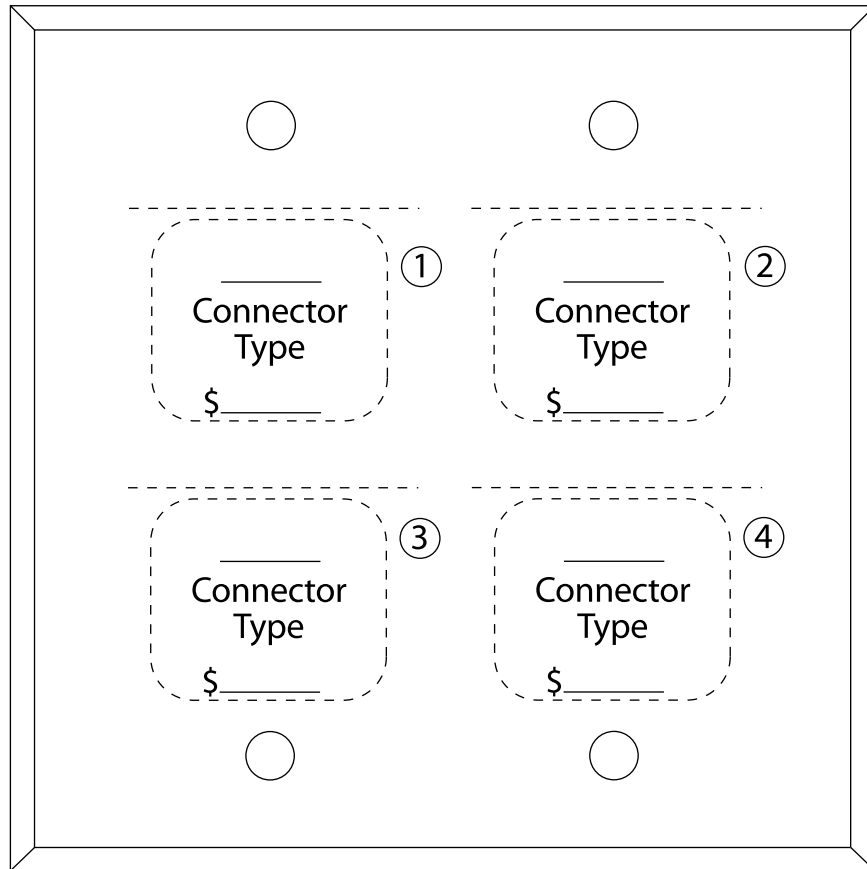
NOTE: If devices remain the same and only engraving changes, please copy and use engraving schedule.

See Engraving Schedule

Plate Material

- Painted Steel Choose Color: White Ivory
 - Kydex Choose Color: White Ivory
 - Stainless Steel, Brushed
 - Brushed Brass, Satin Finish
 - .060" Economy Brushed Aluminum
Choose Color: Black Clear
 - 1/8" Brushed Aluminum, Beveled Edge
Choose Color: Black Clear Bronze* Gold*
- * Special order (requires extra time). Order all Bronze and Gold at one time to assure color consistency.

Up to 10 characters of engraving per connector



← Location #

← Location #

PLATEWORKS™
"Type E" Wallplate
NEMA Standard
2-Gang
Scale: 1:1

Fill in for cost of your plate

Quantity Required: _____

Plate Name or Number: _____

Desired on Site Date: ____/____/____

| | |
|------------------------|----|
| Plate | \$ |
| Total Connectors | \$ |
| Total Each | \$ |



Order Template

Quote No.: _____

Order Date: ____/____/____ Company Name: _____

City/State/ZIP: _____ Your Name: _____

Phone: _____ Fax: _____ Email: _____

P.O.#: _____ Pro Co Work Order # _____ Promised Ship Date: _____

IMPORTANT: Please copy this Template each time you wish to place an order. Then specify your order on the copy, fax, mail or Email the copy to us, and keep this original sheet for future orders.

Please indicate connector type(s) and specify text required in the areas provided.

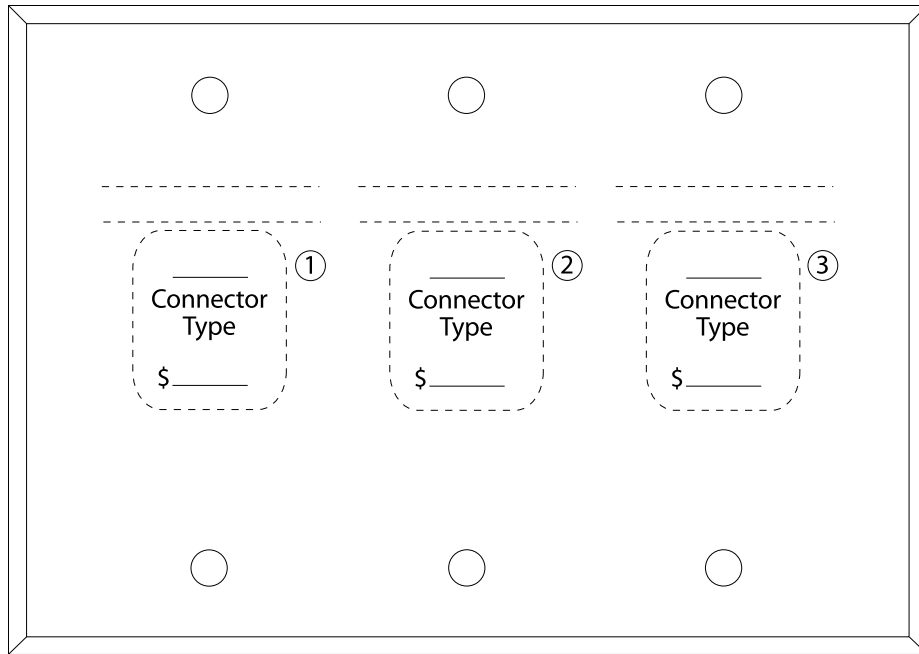
NOTE: If devices remain the same and only engraving changes, please copy and use engraving schedule.

See Engraving Schedule

Plate Material

- Painted Steel Choose Color: White Ivory
 - Kydex Choose Color: White Ivory
 - Stainless Steel, Brushed
 - Brushed Brass, Satin Finish
 - .060" Economy Brushed Aluminum
Choose Color: Black Clear
 - 1/8" Brushed Aluminum, Beveled Edge
Choose Color: Black Clear Bronze* Gold*
- * Special order (requires extra time). Order all Bronze and Gold at one time to assure color consistency.

→
Up to
10 characters
of engraving
per connector
(2 rows)



←
Location #

PLATEWORKS™ "Type F" Wallplate NEMA Standard 3-Gang
Scale: ≈ .75:1

Quantity Required: _____

Plate Name or Number: _____

Desired on Site Date: ____/____/____

Fill in for cost of your plate

| | |
|------------------------|----|
| Plate | \$ |
| Total Connectors | \$ |
| Total Each | \$ |



Order Template

Quote No.: _____

Order Date: ____/____/____ Company Name: _____

City/State/ZIP: _____ Your Name: _____

Phone: _____ Fax: _____ Email: _____

P.O.#: _____ Pro Co Work Order # _____ Promised Ship Date: _____

IMPORTANT: Please copy this Template each time you wish to place an order. Then specify your order on the copy, fax, mail or Email the copy to us, and keep this original sheet for future orders.

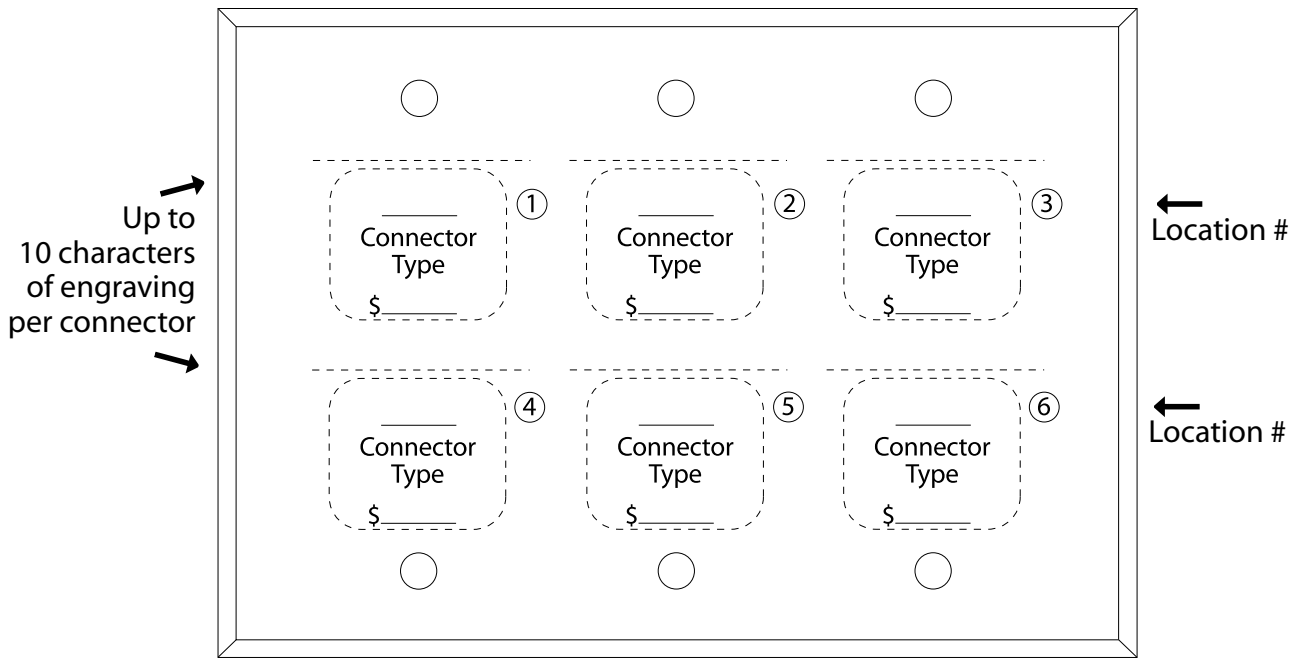
Please indicate connector type(s) and specify text required in the areas provided.

NOTE: If devices remain the same and only engraving changes, please copy and use engraving schedule.

See Engraving Schedule

Plate Material

- Painted Steel Choose Color: White Ivory
 - Kydex Choose Color: White Ivory
 - Stainless Steel, Brushed
 - Brushed Brass, Satin Finish
 - .060" Economy Brushed Aluminum
Choose Color: Black Clear
 - 1/8" Brushed Aluminum, Beveled Edge
Choose Color: Black Clear Bronze* Gold*
- * Special order (requires extra time). Order all Bronze and Gold at one time to assure color consistency.



PLATEWORKS™ "Type G" Wallplate NEMA Standard 3-Gang
Scale: ≈ .75:1

Quantity Required: _____

Plate Name or Number: _____

Desired on Site Date: ____/____/____

Fill in for cost of your plate

| | |
|------------------------|----|
| Plate | \$ |
| Total Connectors | \$ |
| Total Each | \$ |



Order Template

Quote No.: _____

Order Date: ____/____/____ Company Name: _____

City/State/ZIP: _____ Your Name: _____

Phone: _____ Fax: _____ Email: _____

P.O.#: _____ Pro Co Work Order # _____ Promised Ship Date: _____

IMPORTANT: Please copy this Template each time you wish to place an order. Then specify your order on the copy, fax, mail or Email the copy to us, and keep this original sheet for future orders.

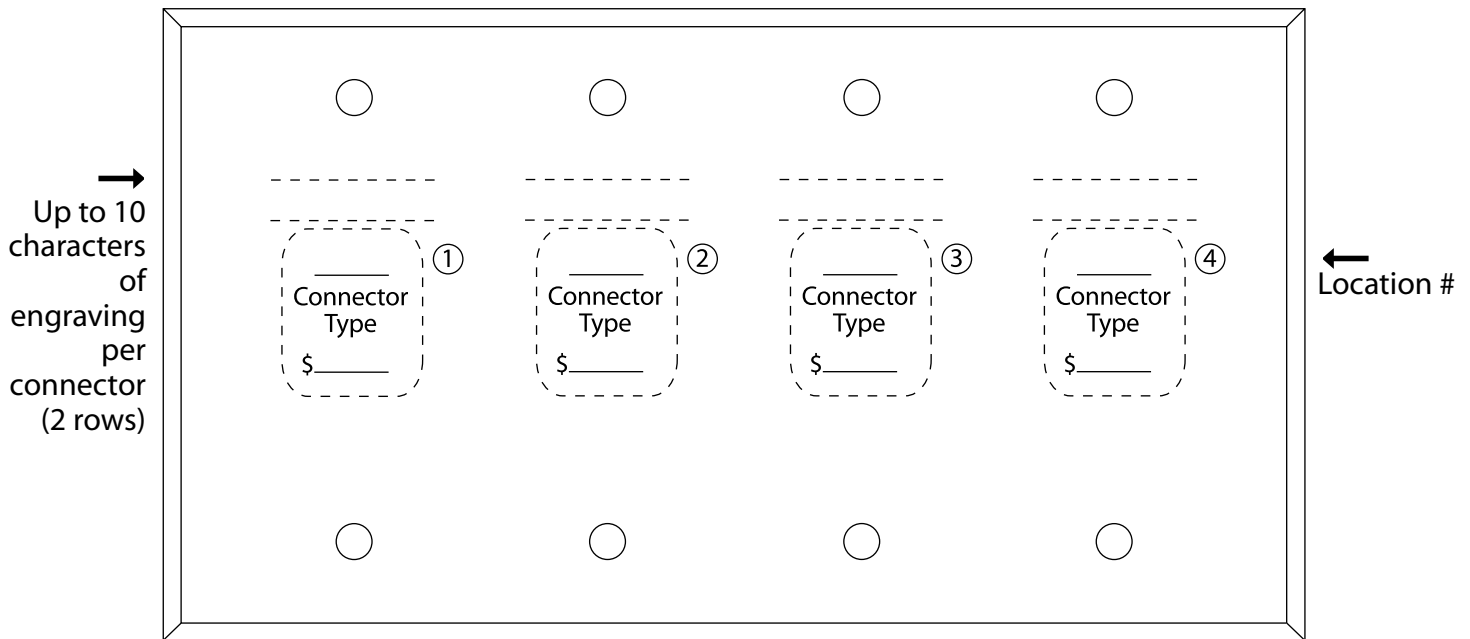
Please indicate connector type(s) and specify text required in the areas provided.

NOTE: If devices remain the same and only engraving changes, please copy and use engraving schedule.

See Engraving Schedule

Plate Material

- Painted Steel Choose Color: White Ivory
 - Kydex Choose Color: White Ivory
 - Stainless Steel, Brushed
 - Brushed Brass, Satin Finish
 - .060" Economy Brushed Aluminum
Choose Color: Black Clear
 - 1/8" Brushed Aluminum, Beveled Edge
Choose Color: Black Clear Bronze* Gold*
- * Special order (requires extra time). Order all Bronze and Gold at one time to assure color consistency.



PLATEWORKS™ "Type H" Wallplate NEMA Standard 4-Gang
Scale: ≈ .75:1

Fill in for cost of your plate

Quantity Required: _____

Plate Name or Number: _____

Desired on Site Date: ____/____/____

| | |
|------------------------|----|
| Plate | \$ |
| Total Connectors | \$ |
| Total Each | \$ |



Order Template

Quote No.: _____

Order Date: ____/____/____ Company Name: _____

City/State/ZIP: _____ Your Name: _____

Phone: _____ Fax: _____ Email: _____

P.O.#: _____ Pro Co Work Order # _____ Promised Ship Date: _____

IMPORTANT: Please copy this Template each time you wish to place an order. Then specify your order on the copy, fax, mail or Email the copy to us, and keep this original sheet for future orders.

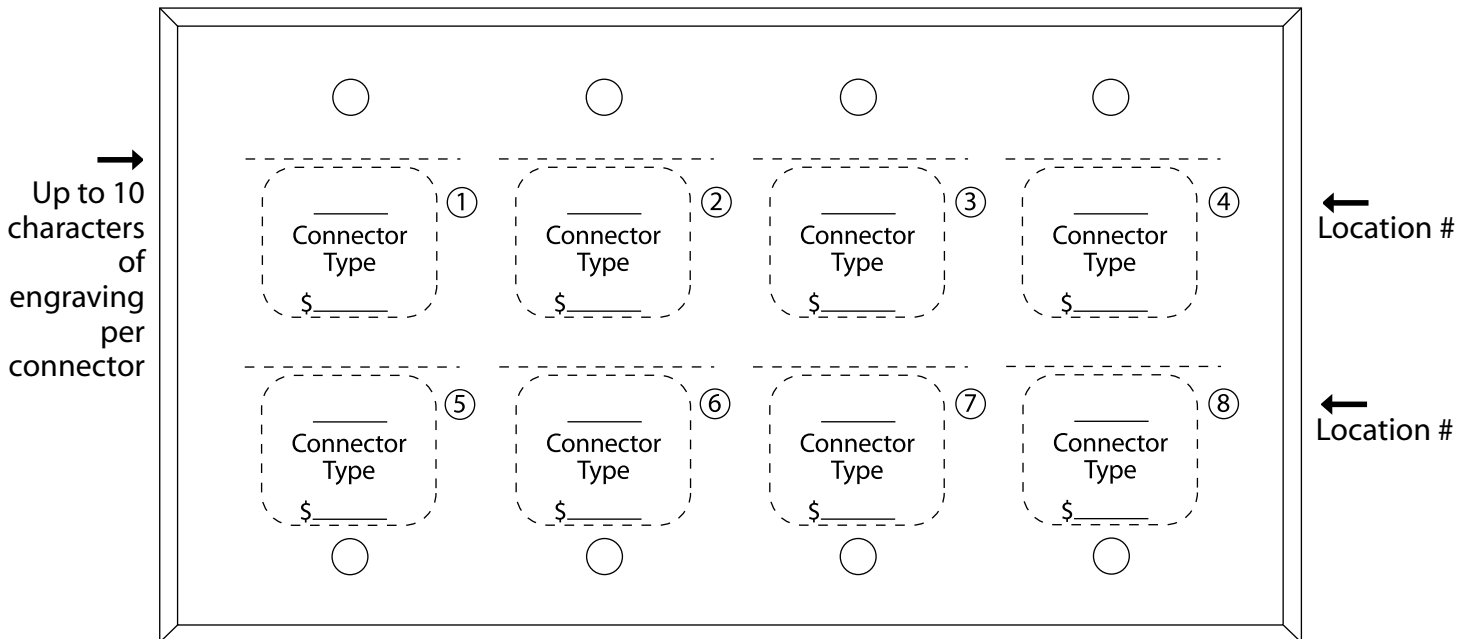
Please indicate connector type(s) and specify text required in the areas provided.

NOTE: If devices remain the same and only engraving changes, please copy and use engraving schedule.

See Engraving Schedule

Plate Material

- Painted Steel Choose Color: White Ivory
 - Kydex Choose Color: White Ivory
 - Stainless Steel, Brushed
 - Brushed Brass, Satin Finish
 - .060" Economy Brushed Aluminum Choose Color: Black Clear
 - 1/8" Brushed Aluminum, Beveled Edge Choose Color: Black Clear Bronze* Gold*
- * Special order (requires extra time). Order all Bronze and Gold at one time to assure color consistency.



PLATEWORKS™ "Type I" Wallplate NEMA Standard 4-Gang
Scale: ≈ .75:1

Quantity Required: _____

Plate Name or Number: _____

Desired on Site Date: ____/____/____

Fill in for cost of your plate

| | |
|------------------------|----|
| Plate | \$ |
| Total Connectors | \$ |
| Total Each | \$ |



Order Template

Quote No.: _____

Order Date: ____/____/____ Company Name: _____

City/State/ZIP: _____ Your Name: _____

Phone: _____ Fax: _____ Email: _____

P.O.#: _____ Pro Co Work Order # _____ Promised Ship Date: _____

IMPORTANT: Please copy this Template each time you wish to place an order. Then specify your order on the copy, fax, mail or Email the copy to us, and keep this original sheet for future orders.

Please indicate connector type(s) and specify text required in the areas provided.

NOTE: If devices remain the same and only engraving changes, please copy and use engraving schedule.

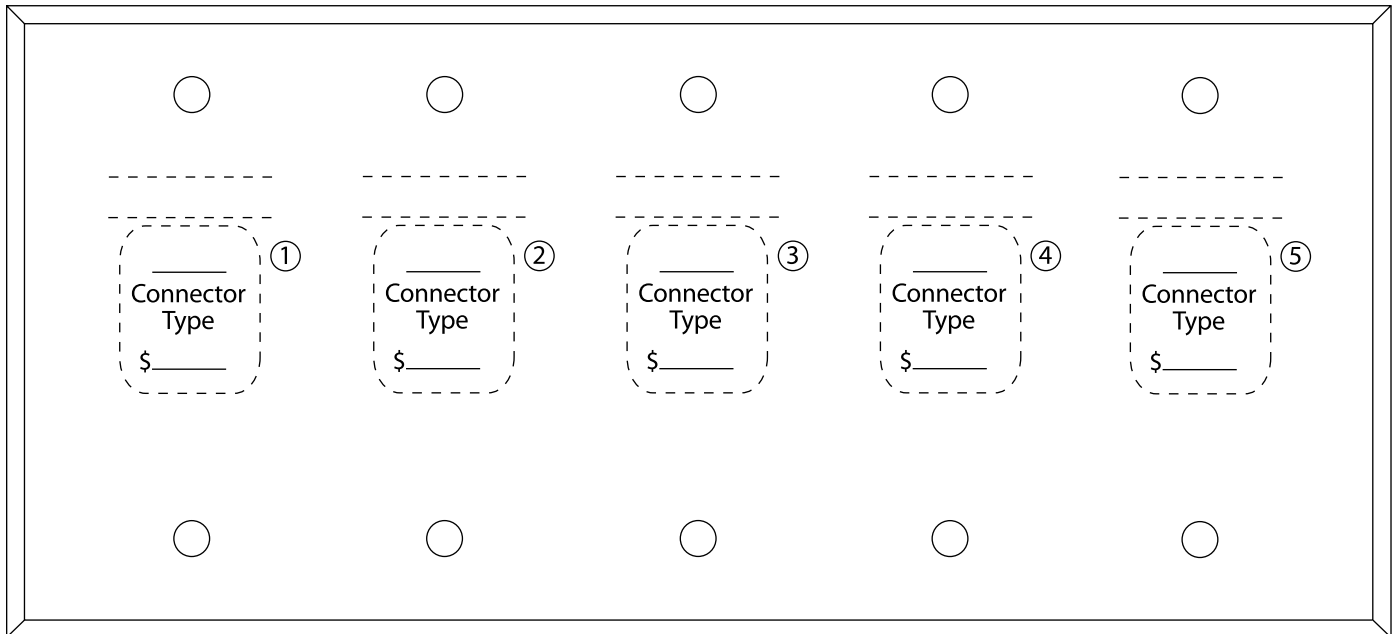
See Engraving Schedule

Plate Material

- Painted Steel Choose Color: White Ivory
 - Kydex Choose Color: White Ivory
 - Stainless Steel, Brushed
 - Brushed Brass, Satin Finish
 - .060" Economy Brushed Aluminum
Choose Color: Black Clear
 - 1/8" Brushed Aluminum, Beveled Edge
Choose Color: Black Clear Bronze* Gold*
- * Special order (requires extra time). Order all Bronze and Gold at one time to assure color consistency.

↓ Up to 10 characters of engraving per connector (2 rows)

Location # ↓



PLATEWORKS™ "Type J" Wallplate NEMA Standard 5-Gang
Scale: ≈ .75:1

Quantity Required: _____

Plate Name or Number: _____

Desired on Site Date: ____/____/____

Fill in for cost of your plate

| | |
|------------------------|----|
| Plate | \$ |
| Total Connectors | \$ |
| Total Each | \$ |



Order Template

Quote No.: _____

Order Date: ____/____/____ Company Name: _____

City/State/ZIP: _____ Your Name: _____

Phone: _____ Fax: _____ Email: _____

P.O.#: _____ Pro Co Work Order # _____ Promised Ship Date: _____

IMPORTANT: Please copy this Template each time you wish to place an order. Then specify your order on the copy, fax, mail or Email the copy to us, and keep this original sheet for future orders.

Please indicate connector type(s) and specify text required in the areas provided.

NOTE: If devices remain the same and only engraving changes, please copy and use engraving schedule.

See Engraving Schedule

Plate Material

- Painted Steel Choose Color: White Ivory
 - Kydex Choose Color: White Ivory
 - Stainless Steel, Brushed
 - Brushed Brass, Satin Finish
 - .060" Economy Brushed Aluminum
Choose Color: Black Clear
 - 1/8" Brushed Aluminum, Beveled Edge
Choose Color: Black Clear Bronze* Gold*
- * Special order (requires extra time). Order all Bronze and Gold at one time to assure color consistency.

↓ Up to 10 characters of engraving per connector

Location # ↓

| | | | | |
|---------------------------------------|---------------------------------------|---------------------------------------|---------------------------------------|---------------------------------------|
| | | | | |
| _____ Connector Type ① \$ _____ | _____ Connector Type ② \$ _____ | _____ Connector Type ③ \$ _____ | _____ Connector Type ④ \$ _____ | _____ Connector Type ⑤ \$ _____ |
| _____ Connector Type ⑥ \$ _____ | _____ Connector Type ⑦ \$ _____ | _____ Connector Type ⑧ \$ _____ | _____ Connector Type ⑨ \$ _____ | _____ Connector Type ⑩ \$ _____ |
| | | | | |

PLATEWORKS™ "Type K" Wallplate NEMA Standard 5-Gang
Scale: ≈ .75:1

Fill in for cost of your plate

Quantity Required: _____

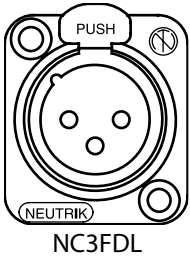
Plate Name or Number: _____

Desired on Site Date: ____/____/____

| | |
|------------------------|----|
| Plate | \$ |
| Total Connectors | \$ |
| Total Each | \$ |



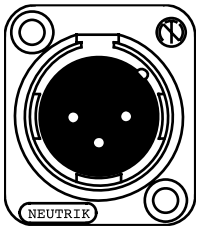
Connector Menu C-1



NC3FDL

| Designation | Part Number |
|-------------|----------------|
| C 1 | NC3FDL-1 |
| C 2 | NC3FDL-1-BAG |
| C 3 | NC3FDL-1-B |
| C 4 | NC3FP-P |
| C 5 | NC3FDL-1-O |
| C 6 | NC4FDL-1 |
| C 7 | NC4FDL-1-B |
| C 8 | NC5FDL-1 |
| C 9 | NC5FDL-1-B |
| C 10 | NC6FDL-1 |
| C 11 | NC6FDL-1-B |
| C 12 | NC3FDL-1-BAG-O |
| C 13 | NC6FDS-L-1 |
| C 15 | NC3FQL-PW |
| C 16 | AC3FDPIIL |
| C 17 | NC3FD-S-1-B |

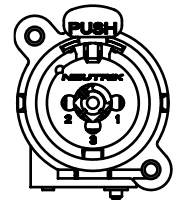
| Description |
|--|
| XLR Female, D series, 3 silver contacts |
| AS NC3FDL-1, Black shell |
| AS NC3FDL-1, Black shell, Gold contacts |
| AS NC3FDL-1, Plastic shell |
| AS NC3FDL-1, Latchless with retention spring |
| XLR Female, D series, 4 silver contacts |
| AS NC4FDL-1, Black shell, Gold contacts |
| XLR Female, D series, 5 silver contacts |
| AS NC5FDL-1, Black Shell, Gold contacts |
| XLR Female, D series, 6 silver contacts |
| AS NC6FDL-1, Black shell, Gold contacts |
| AS NC3FDL-1-O, Black shell |
| Switchcraft compatible pin arrangement |
| XLR Female D Series 3 contacts, Flat Latch |
| XLR Female D Series 3 contacts, IDC Type |
| XLR Female D Series 3 contacts, Screw Terminal |



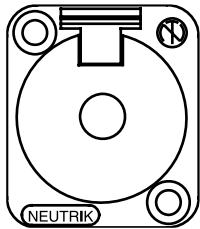
NC3MDL

| | |
|------|--------------|
| D 1 | NC3MDL-1 |
| D 2 | NC3MDL-1-BAG |
| D 3 | NC3MDL-1-B |
| D 4 | NC3MP-P |
| D 5 | NC4MDL-1 |
| D 6 | NC4MDL-1-B |
| D 7 | NC5MDL-1 |
| D 8 | NC5MDL-1-B |
| D 9 | NC6MDL-1 |
| D 10 | NC6MDL-1-B |
| D 11 | NC6MDS-L-1 |
| D 13 | NC3MQL-PW |
| D 14 | AC3MDPIIL |
| D 15 | NC3MD-S-1-B |

| |
|--|
| XLR male, D series, 3 silver contacts |
| AS NC3MDL-1, Black shell, Gold contacts |
| AS NC3MDL-1, Black shell, Gold contacts |
| AS NC3MDL-1, Plastic shell |
| XLR Male, D series, 4 silver contacts |
| AS NC4MDL-1, Black shell, Gold contacts |
| XLR Male, D series, 5 silver contacts |
| As NC5MDL-1, Black shell, Gold contacts |
| XLR Male, D series, 6 silver contacts |
| AS NC6MDL-1, Black shell, Gold contacts |
| Switchcraft compatible pin arrangement |
| XLR Male D Series 3 contacts |
| XLR Male D Series 3 contacts, IDC Type |
| XLR Male D Series 3 contacts, Screw Terminal |



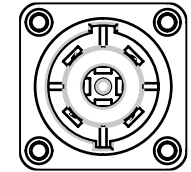
NCJ6FI-S



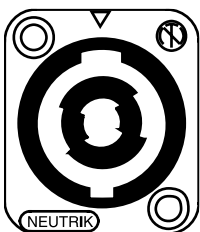
NJ3FP6C

| | |
|-----|-------------|
| E 1 | NJ3FP6C |
| E 2 | NJ3FP6C-BAG |
| E 3 | NCJ6FI-S |

| |
|--------------------------------------|
| 1/4" 3 contact, D series, locking |
| As NJ3FP6C, Black shell |
| Combo jack, 3 conductor, solder lugs |



NL4MPR



NL4MP

| | |
|-----|----------|
| F 1 | NL4MP |
| F 2 | NL4MPR |
| F 3 | NL8MPR |
| F 4 | EP4-13P |
| F 5 | EP4-14 |
| F 6 | NL4MP-ST |
| F 7 | NL2MP |
| F 8 | NLT4FP |
| F 9 | NLT4MP |

| |
|--|
| Speakon, D Series 4 contacts |
| As NL4MP, Large flange |
| Speakon, Large flange, 8 Conductor |
| 4 pin Female receptacle |
| 4 pin Male receptacle |
| Speakon, D Series 4 screw type contacts |
| Speakon, D Series 2 contacts |
| Speakon, D Series 4 contacts, Touring Series, Female |
| Speakon, D Series 4 contacts, Touring Series, Male |

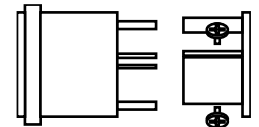
Large flange requires 2 locations, 1 gang



L11

| | |
|-------|----------|
| G 1 | L11 |
| G 2 | L12A |
| G 3 | L12B |
| G 5 | LS112B |
| G 6 | L114B |
| G 10H | L11(2) |
| G 11H | L12A(2) |
| G 12H | L12B(2) |
| G 13H | L114B(2) |

| |
|---|
| 1/4" phone jack, 2 cond, open circuit |
| 1/4" phone jack, 3 cond, closed circuit |
| 1/4" phone jack, 3 cond, open circuit |
| AS 12B, Hi density |
| 1/4" phone jack, 3 cond, double closed circuit |
| (2)1/4" phone jack, 2 cond, open circuit |
| (2)1/4" phone jack, 3 cond, closed circuit |
| (2)1/4" phone jack, 3 cond, open circuit |
| (2)1/4" phone jack, 3 cond, double closed circuit |



NL4MP-ST

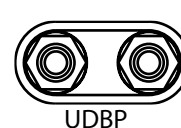
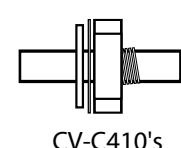
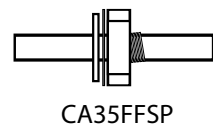


LS112B





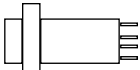



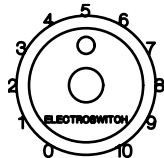
Connector Menu C-2

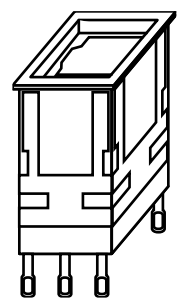
| Image | Designation | Part Number | Description |
|----------|-------------|-------------------|--|
| LS142A | H 1 | LS142A | 1/8" Mini Jack, 2 cond., closed circuit |
| | H 2 | 27-655 | 3.5mm mini jack, 3 cond., open circuit |
| | H 3H | LS142A(2) | (2)1/8" Mini Jack, 2 cond., closed circuit |
| | H 4H | 27-655(2) | (2)3.5mm mini jack, 3 cond., open circuit |
| NYS325 | H 5 | CA35FFSP | 1/8" Mini Feedthru jack, closed circuit |
| | I 1 | NYS325 | DIN Connector, female, 5 cond, MIDI jack |
| SVMD's | I 2 | SVMD-4PB | 4 pin Mini DIN, female solder, for SVHS |
| | I 3 | SVMD-6PB | 6 pin Mini DIN, female solder, for PS2 port |
| TCS's | I 4 | TCS-415P | 4 pin Mini DIN, feedthru, for SVHS |
| | I 5 | TCS-615P | 6 pin Mini DIN, feedthru, for PS2 |
| | I 6 | TCS-415PST | 4 pin Mini DIN, screw terminal, for SVHS |
| | J 1 | 119-5F | EBY Kodak Projector 5 pin Female |
| 119's | K 1 | 3505F | RCA Phono jack, for Audio or video |
| | K 2H | 3505F(2) | (2)RCA Phono jack, for Audio or video |
| 3505F | K 5 | RJ-RU WHITE | Canare flush mount RCA, White |
| | K 6 | RJ-RU RED | Canare flush mount RCA, Red |
| | K 7 | RJ-RU YELLOW | Canare flush mount RCA, Yellow |
| | K 8 | 161-1004 WHITE | RCA solder, White |
| | K 9 | 161-1002 RED | RCA solder, Red |
| | K 10 | 161-1005 YELLOW | RCA Solder, Yellow |
| RJ-RU | K 11 | CV-C410BBL | RCA FEEDTHRU Blue |
| | K 12 | CV-C410BGR | RCA FEEDTHRU Green |
| | K 13 | CV-C410BRE | RCA FEEDTHRU Red |
| | K 14 | CV-C410BWH | RCA FEEDTHRU White |
| | K 15 | CV-C410BYE | RCA FEEDTHRU Yellow |
| | L 1 | UDBP | Universal dual binding post |
| M1 | M 1 | SE648A6-03 | 6 cond., RJ-11 modular Receptacle, IDC, |
| M2 | M 3 | AMP555050 | 4 cond., RJ-11 modular Receptacle, Feedthru |
| | M 6 | NE8FDV-Y110 | Neutrick Ethercon, 110 punch |
| | M 7 | NE8FDV-YK | Neutrick Ethercon, Krone punch |
| | M 8 | NE8FDP | Neutrick Ethercon, Cat 5 Feedthru |
| NE8FDV's | M 9 | UMJVL8A/B BK | Superior Cat 5 A or B, IDC W/ Default Black Bezel |
| | M 10 | UMJVL8A/B WH | Superior Cat 5, A or B, IDC White Bezel |
| | M 11 | UMJVL8A/B IV | Superior Cat 5 A or B, IDC Ivory Bezel |
| | M 12 | 10-23946 | Cat 5 Feedthru |
| | M 13 | 45-6751 | Suttle Cat 6, IDC, |
| NE8FDP | N 1 | 621-11221 | Rocker Switch, SPDT, 5A, 125 VAC |
| | N 2 | 621-12221 | Rocker Switch, DPDT, 5A, 125 VAC |
| | N 3 | 629-GRS4023C-1300 | Rocker Switch, DPDT, momentary |
| | N 4 | 2500R11E | Eaton power switch DPST,, Illuminated red 15 A 125 VAC |
| 621-1121 | O 1 | 110-63 | Toggle Switch, SPST, 6A 125 VAC |
| | O 2 | IL-250NBL3 | Toggle switch, 4PDT, 15 A 125 VAC |
| | O 3 | CLB300G | 24 volt green LED, w/ Flange and lens |
| | O 4 | CLB300R | 24 volt Red LED, w/ Flange and lens |
| | O 5 | CLB300 G/R | 24 volt (1)Green LED, (1) Red LED w/ Flange and lens |
| | O 6 | CLB300Y | 24 Volt Yellow LED |





Connector Menu C-3

| | Designation | Part Number | Description |
|---|-------------|-----------------|---|
|  | P 1 | 7101-MYZQE | Toggle, Mini Bat Handle, SPDT, 5a 125 VAC |
| | P 2 | 7201-MYZQE | Toggle, Mini Bat Handle, DPDT, 5a 125 VAC |
|  | P 3 | AML21-CBA2AC | DPDT Momentary 2A Push button |
| | P 4 | AML21-CBA2AD | DPDT Alternate action 2A Push button |
| | P 5 | 633-KB25SKW01 | DPDT Momentary 1A Push Button, Red Led (EAO Copy) |
| | P 6 | 633-KB26SKW01 | DPDT Latching 1A Push Button, Red Led (EAO Copy) |
| | P 7 | AML22 CBC2AC | SPDT Momentary 5A Push button, Red LED |
| | P 8 | AML22CBC2AD | DPDT Alternate Action 5A Push button, Red LED |
|  | PL 1 | AML86 | 6 V bulb for AML21 |
| | PL 2 | AML73 | 12 V Bulb for AML 21 |
| | PL 3 | AML85 | 24 V Bulb for AML 21 |
| | PL 4 | AML-10W | White lens for AML 21 |
| | PL 5 | AML-10Y | Yellow lens for AML 21 |
| | PL 6 | AML-10R | Red lens for AML 21 |
| | PL 7 | AML-10G | Green lens for AML 21 |
| | PL 8 | 633-AT4133JB | Lens/Diffuser for 633-KB Switch, White For P-5, P-6 |
| | PL 9 | 633-AT4133JC | Lens/Diffuser for 633-KB Switch, Red For P-5, P-6 |
| | PL 10 | 633-AT4133JD | Lens/Diffuser for 633-KB Switch, Amber For P-5, P-6 |
| | PL 11 | 633-AT4133JF | Lens/Diffuser for 633-KB Switch, Green For P-5, P-6 |
| | PL 22 | AML92ERL | LED RED, fits AML 21 Series |
| | PL 23 | AML92EGL | LED GREEN, fits AML 21 Series |
|  | P 12 | CH756K4 | DPDT On/Off/On 15 A Toggle Switch |
| | P 13 | CH7565K6 | DPDT On/Off 15 A Toggle Switch |
|  | P 14 | CK7201P3YZQE | Flatted toggle, DPDT on/on |
| | P 15 | CK7203P3YZQE | Flatted toggle, DPDT on/off/on |
| | P 16 | CK7401P3YZQE | Flatted toggle, 4PDT on/on |
|  | P 17 | P2011U | Nylon Switchlock DPDT 4A, pull 1 position |
| | P 18 | Y2011U2C203NQ | Key switch, DPDT 2A, Pull 1,2 position |
|  | P 19 | D4CO206N | Electroswitch Rotary, 2Pole 6 Pos, or 1 pole 12 pos |
| | P 20 | Y201132C203NQ | Key switch, DPDT 2A, Pull 1 position |
| | P 21 | Y208122A203NQ | Momentary DPDT, Pull 1 position |
| | Q 1 | BCJ-JR | Canare Bulkhead feedthru 75 Ohm |
| | Q 2 | BCJ-R/1 | Canare Barrel, solder backend 75 Ohm |
| | Q 3H | BCJ-JR(2) | (2)Canare Bulkhead feedthru |
| | Q 4H | BCJ-R/1(2) | (2)Canare Barrel, solder backend |
| | Q 5 | NBB75FI | Neutrik BNC Bulkhead feedthru 75 Ohm |
| | Q 6 | CV-E8471 | 50 Ohm BNC Bulkhead feedthru |
| | R 1 | BCJ-JRU | Canare BNC Flushmount Feedthru 75 Ohm |
| | R 2 | BCJ-RU | Canare BNC Flushmount Solder 75 Ohm |
| | R 3 | NBB75DFI | Neutrik BNC Flushmount Feedthru 75 Ohm |
| | R 4 | NBB75DFIB | Neutrik Black BNC Flushmount Feedthru 75 Ohm |
| | R 5 | RJ-BCJRU White | Canare Feedthru RCA/BNC Flushmount |
| | R 6 | RJ-BCJRU Red | Canare Feedthru RCA/BNC Flushmount |
| | R 7 | RJ-BCJRU Yellow | Canare Feedthru RCA/BNC Flushmount |
| | R 8 | RJ-BCJR | Canare Bulkhead RCA/BNC |

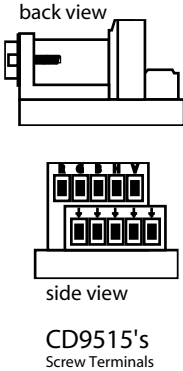


AML21's



Connector Menu C-3


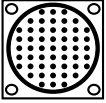
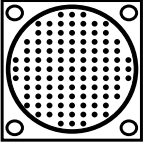
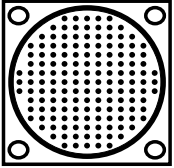
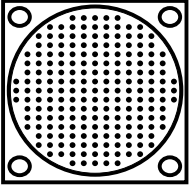
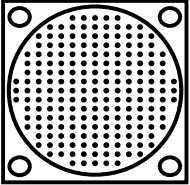
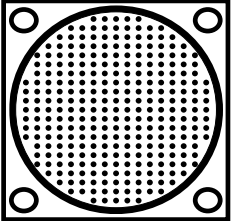
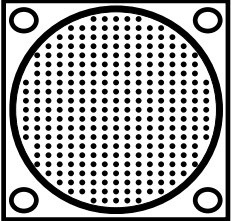
| | Designation | Part Number | Description | |
|--|-------------|-----------------|---|--|
| | S 1 | GF81C | Blonder-Tongue F connector feedthru | |
| | S 3H | GF81C(2) | (2)Blonder-Tongue F connector feedthru | |
| | S 5 | FJ-JRU | Canare feedthru F Flushmount | |
| | T 1 | PKD-10LIN | 10k Linear, Mini with .75" diameter 1-10 dial Knob | |
| | T 2 | 25LVC | Lowell Attenuator 25 Watt | |
| | T 3 | 50LVC | Lowell Attenuator 50 Watt | |
| | T 4 | 100LVC | Lowell Attenuator 100 Watt | |
| | T 5 | PKES10K | 10K Linear Pot with .90 Diameter knob | |
| | | | | |
| | U 1 | ECJ504UA | USB A panel connector | |
| | U 2 | ECJ504UB | USB B Panel Connector | |
| | U 3 | ECF504UAB | USB Feedthru panel connector | |
| | W 1 | 502750-1 | ST Fiber connector (round) | |
| | W 2 | 504640-1 | SC fiber connector (rectangular, duplex) | |
| | Y 1 | DE9F | DE 9 contact Socket Female/solder connector | |
| | Y 2 | DB25F | 25 contact Socket Female/solder connector | |
| | Y 3 | DB25M | 25 contact Pin Male/solder connector | |
| | Y 4 | CD-9532HD | 15 contact High Density Feedthru (VGA) F/F | |
| | Y 5 | CD-9515HDS | 15 contact High Density Female/Solder (VGA) | |
| | Y 6 | DA15S | 15 contact Socket Female/solder connector | |
| | Y 7 | CD-9530 | DE 9 contact Feedthru connector F/F | |
| | Y 8 | CD9515FST | 15 pin HI Density Female/Screw terminal | |
| | Y 9 | CD9515MST | 15 pin HI Density Male/Screw terminal | |
| | Y 10 | CD9515HDM | 15 contact High Density Male/Solder (VGA) | |
| | Y 11 | CD9531 | DE 9 contact Feedthru connector M/M | |
| | Y 12 | CD9534 | 25 contact Feedthru F/F | |
| | Y 13 | CD-DB9FST | DE 9 Pin Female/Screw terminal | |
| | Z 1 | 516-056-402 | Edac/Elco 56 contact Female panel, less contacts | |
| | Z 2 | 516-090-402 | Edac/Elco 90 contact Female panel, less contacts | |
| | Z 4 | 8016-120-607 | Edac/Elco 120 contact Female panel, less contacts | |
| | Z 5 | HC-120-MP | Helix, 120 contact, male panel mount, less contacts | |
| | Z 6 | DFK-MSTB 2.5/2G | 2 conductor Phoenix Panel mount | |
| | | | | |

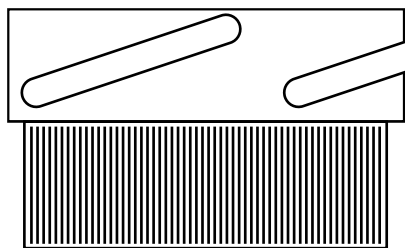


1) Some items may not fit on certain plates, such as some Concertmaster Connectors
 2) Some connectors may require more depth than a standard back box.

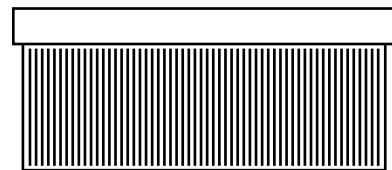


ConcertMASTER Connector Menu C-4

| | Designation | Part Number | Description |
|---|-------------|-------------|---|
|  | Z 7 | TLDC25PM02 | Concertmaster 25 contact Male panel, No Locking Ring |
|  | Z 8 | TLDC37PM02 | Concertmaster 37 contact Male panel, No Locking Ring |
|  | Z 9 | TLDC54PM02 | Concertmaster 54 contact Male panel, No Locking Ring |
|  | Z 10 | TLDC85PM02 | Concertmaster 85 contact Male panel, No Locking Ring |
|  | Z 11 | TLDC150PF26 | Concertmaster 150 contact Female panel, Locking Ring |
|  | Z 12 | TLDC150PM02 | Concertmaster 150 contact Male panel, No Locking Ring |
|  | Z 13 | TLDC201PF26 | Concertmaster 201 contact Female panel, Locking Ring |
|  | Z 14 | TLDC201PM02 | Concertmaster 201 contact Male panel, No Locking Ring |



With Locking Ring



Without Locking Ring

Disclaimer:

Z-9 thru Z-14 require a two (2) gang plate or larger

All are fully loaded with gold solder contacts and dust caps



Pricing and specifications are subject to change.
Pro Co Sound, Inc., 225 Parsons Street, Kalamazoo, MI 49007 USA
www.procosound.com • 800-253-7360